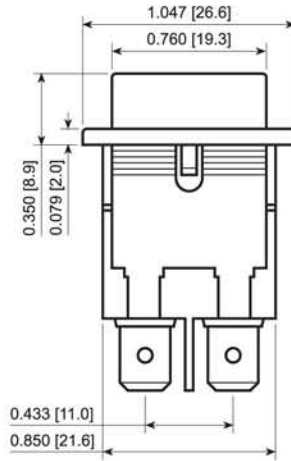
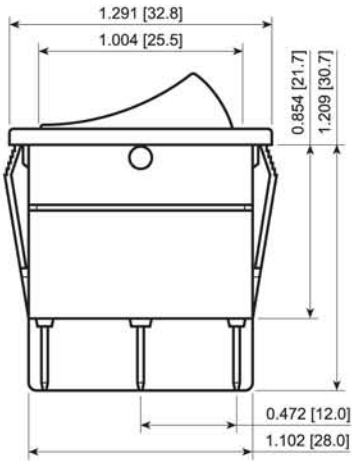
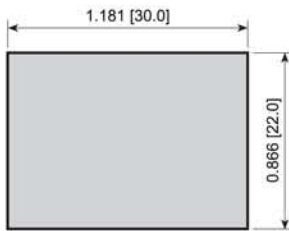


WB2 Series



Panel Cutout



FEATURES:

- High Ratings with UL and TUV Approvals
- Industry Standard 22mm x 30mm Cutout
- Internal Dust and Water Protection to IP55

SPECIFICATIONS:

RATING: Maintained
 20A, 125/250VAC T65/T85 [cURus]
 2.0HP, 125/250VAC [cURus]
 18(12)A, 250VAC 5E4 T85 [TUV]

Momentary

20A, 125/250VAC T65/T85 [cURus]
 1.5HP, 125/250VAC [cURus]
 18(10)A, 250VAC 5E4 T85 [TUV]

TEMPERATURE: -20°C to 65°C Min.
 CONTACT RESISTANCE: 50mΩ Max.
 INSULATION RESISTANCE: 500MΩ Min. at 500VDC
 DIELECTRIC STRENGTH: 1,500VAC for 1 Minute
 INGRESS PROTECTION: IP55 Standard

MATERIALS:

Body: Polyamide 6/6
 ACTUATOR: Polyamide 6/6
 MOUNTING EARS: Polyamide 6/6
 RUBBER SEAL: Ethylene Propylene
 CONTACTS: Silver Alloy
 TERMINALS: Silver Plated Brass



WB242D1121



WB246D1100

SPECIFICATIONS SUBJECT TO CHANGE WITHOUT NOTICE

Series	Terminal	Function	Rating	Body Color	Actuator Color	Marking Color	Marking Type
WB2	4 - 6.3mm Tabs	1 Pole: D - (On)-Off-(On) 2 Pole: 2 - Off-On G - On-On E - Off-(On) H - On-(On) 6 - On-Off-On K - (On)-Off-(On)	D - 20A 125VAC	1 - Black 2 - White	1 - Black 2 - White 9 - Red	0 - None 1 - Black 2 - White	0 - None 1 - I/O Vert. 2 - ON/OFF/ON Vert. 3 - ON/OFF Vert. 4 - ON/OFF Horiz. 9 - I/O/II Horiz. S - I/O/II Vert. R - I/O Horiz.

Custom Colors and Markings Available Upon Request

EXAMPLE PART NUMBERS:

WB242D1100	2P Off-On	Black Body/Actuator, No Marking
WB242D1121	2P Off-On	Black Body/Actuator, I/O Vert.
WB246D1100	2P On-Off-On	Black Body/Actuator, No Marking
WB246D112S	2P On-Off-On	Black Body/Actuator, I/O/II Vert.
WB24ED1121	2P Off-(On)	Black Body/Actuator, No Marking
WB24GD1100	2P On-On	Black Body/Actuator, No Marking
WB24KD1100	2P (On)-Off-(On)	Black Body/Actuator, No Marking



E-SWITCH®

www.e-switch.com

800.867.2717