

# Accelerometer/charge amplifier system

## 376/CC701HT

### SPECIFICATIONS

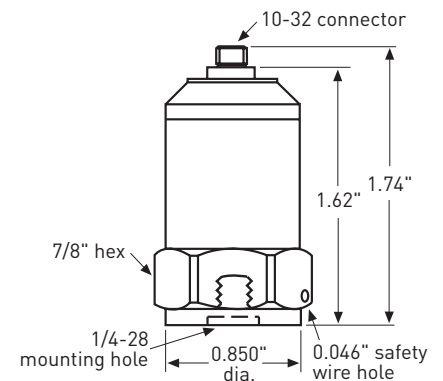
<b>Sensitivity, <math>\pm 10\%</math>, 25°C</b>		100 mV/g
<b>Acceleration range</b>		50 g peak
<b>Amplitude nonlinearity, to 50 g</b>		1%
<b>Frequency response:</b>		
	$\pm 10\%$	2 - 10,000 Hz
	$\pm 3$ dB	1 - 15,000 Hz
<b>Resonance frequency</b>		30 kHz
<b>Transverse sensitivity</b>		5% of axial
<b>Temperature response:</b>		
	-50°C	-10%
	+260°C	+20%
<b>Power requirement:</b>		
Voltage source		18 - 30 VDC
Current regulating diode		2 - 10 mA
<b>Electrical noise, equiv. g:</b>		
Broadband		0.001 g peak
<b>Output impedance</b>		<100 $\Omega$
<b>Bias output voltage</b>		12 VDC
<b>Grounding</b>		ground isolated
<b>Temperature range:</b>		
376		-50° to +260°C
CC701HT		-40° to 100°C
<b>Vibration limit</b>		500 g peak
<b>Shock limit</b>		5,000 g peak
<b>Base strain sensitivity</b>		0.002 g/ $\mu$ strain
<b>Sensing element design</b>		PZT, compression
<b>Weight:</b>		
376		75 grams
CC701HT		40 grams
<b>Case material</b>		316L stainless steel
<b>Mounting</b>		1/4-28 tapped hole
<b>Mating connector</b>		BNC jack
<b>Standard cabling</b>		R1-1-J3

Accessories supplied: SF6 mounting stud; calibration data (level 3)

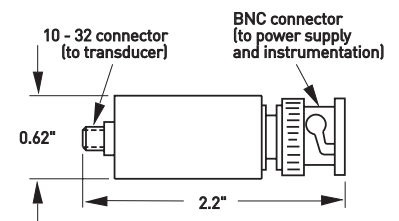


### Key features

- Industrial ruggedness
- Charge output
- 260°C operation
- Manufactured in ISO 9001 facility



Model 376



Model CC701HT

Connections	
Function	Connector pin
power/signal	pin
common	shell



Note: Due to continuous process improvement, specifications are subject to change without notice. This document is cleared for public release.