

ZLK SERIES

105°C Ultra High Ripple Current, Low Impedance

\*Load Life: 105°C 4000~5000 hours.

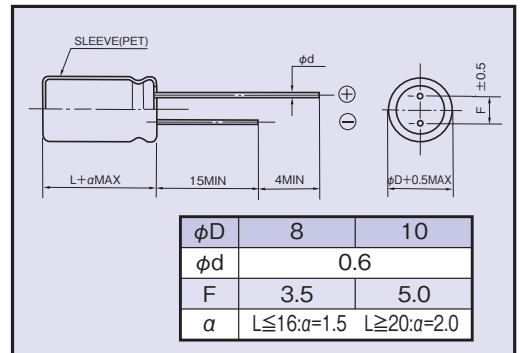


◆SPECIFICATIONS

Items	Characteristics																		
Category Temperature Range	-40~+105°C																		
Rated Voltage Range	10~35Vdc																		
Capacitance Tolerance	±20% (20°C, 120Hz)																		
Leakage Current(MAX)	I=0.01CV (After 2 minutes) I=Leakage Current(µA) C=Capacitance(µF) V=Rated Voltage(Vdc)																		
Dissipation Factor(MAX) (tanδ)	<table border="1"> <thead> <tr> <th>Rated Voltage (Vdc)</th> <th>10</th> <th>16</th> <th>25</th> <th>35</th> <th>(20°C, 120Hz)</th> </tr> </thead> <tbody> <tr> <td>tanδ</td> <td>0.19</td> <td>0.16</td> <td>0.14</td> <td>0.12</td> <td></td> </tr> </tbody> </table>	Rated Voltage (Vdc)	10	16	25	35	(20°C, 120Hz)	tanδ	0.19	0.16	0.14	0.12							
Rated Voltage (Vdc)	10	16	25	35	(20°C, 120Hz)														
tanδ	0.19	0.16	0.14	0.12															
Endurance	<p>After applying rated voltage with rated ripple current for specified time at 105°C, the capacitors shall meet the following requirements.</p> <table border="1"> <thead> <tr> <th>Capacitance Change</th> <th>Within ±25% of the initial value.</th> <th>Case Size</th> <th>Life Time (hrs)</th> </tr> </thead> <tbody> <tr> <td>Dissipation Factor</td> <td>Not more than 200% of the specified value.</td> <td>8×16, 8×20 10×12.5</td> <td>4000</td> </tr> <tr> <td>Leakage Current</td> <td>Not more than the specified value.</td> <td>10×16, 10×20 10×25</td> <td>5000</td> </tr> </tbody> </table>	Capacitance Change	Within ±25% of the initial value.	Case Size	Life Time (hrs)	Dissipation Factor	Not more than 200% of the specified value.	8×16, 8×20 10×12.5	4000	Leakage Current	Not more than the specified value.	10×16, 10×20 10×25	5000						
Capacitance Change	Within ±25% of the initial value.	Case Size	Life Time (hrs)																
Dissipation Factor	Not more than 200% of the specified value.	8×16, 8×20 10×12.5	4000																
Leakage Current	Not more than the specified value.	10×16, 10×20 10×25	5000																
Low Temperature Stability Impedance Ratio(MAX)	<table border="1"> <thead> <tr> <th>Rated Voltage (Vdc)</th> <th>10</th> <th>16</th> <th>25</th> <th>35</th> <th>(120Hz)</th> </tr> </thead> <tbody> <tr> <td>Z(-25°C)/Z(20°C)</td> <td>2</td> <td>2</td> <td>2</td> <td>2</td> <td></td> </tr> <tr> <td>Z(-40°C)/Z(20°C)</td> <td>3</td> <td>3</td> <td>3</td> <td>3</td> <td></td> </tr> </tbody> </table>	Rated Voltage (Vdc)	10	16	25	35	(120Hz)	Z(-25°C)/Z(20°C)	2	2	2	2		Z(-40°C)/Z(20°C)	3	3	3	3	
Rated Voltage (Vdc)	10	16	25	35	(120Hz)														
Z(-25°C)/Z(20°C)	2	2	2	2															
Z(-40°C)/Z(20°C)	3	3	3	3															

◆DIMENSIONS

(mm)



◆MULTIPLIER FOR RIPPLE CURRENT

Frequency (Hz)	120	1k	10k	100k≤
Coefficient	0.30	0.70	0.90	1.00

◆STANDARD SIZE Size φDXL(mm), Rated Ripple Current(mA r.m.s./105°C, 100kHz), Impedance(Ω Max/100kHz)

Vdc	Cap (µF)	Size (φDXL)	Ripple	Impedance		Vdc	Cap (µF)	Size (φDXL)	Ripple	Impedance		Vdc	Cap (µF)	Size (φDXL)	Ripple	Impedance	
				20°C	-10°C					20°C	-10°C					20°C	-10°C
10	680	8×16	2050	0.059	0.18	16	470	8×16	2050	0.059	0.18	25	330	8×16	2050	0.059	0.18
	680	10×12.5	2190	0.053	0.16		560	10×12.5	2190	0.053	0.16		390	10×12.5	2190	0.053	0.16
	1000	8×20	2380	0.041	0.13		680	8×20	2380	0.041	0.13		470	8×20	2380	0.041	0.13
	1000	10×16	2550	0.038	0.12		820	10×16	2550	0.038	0.12		560	10×16	2550	0.038	0.12
	1500	10×20	2880	0.028	0.084		1200	10×20	2880	0.028	0.084		820	10×20	2880	0.028	0.084
	1800	10×25	3160	0.024	0.072		1500	10×25	3160	0.024	0.072		1000	10×25	3160	0.024	0.072
35	220	8×16	2050	0.059	0.18												
	220	10×12.5	2190	0.053	0.16												
	270	8×20	2380	0.041	0.13												
	330	10×16	2550	0.038	0.12												
	470	10×20	2880	0.028	0.084												
	560	10×25	3160	0.024	0.072												

◆OPTION

	Code
PET Sleeve	Blank

◆PART NUMBER

□□□ ZLK □□□ M □□□ □□□ DXL  
 Rated Voltage Series Capacitance Capacitance Tolerance Option Lead Forming Case Size

# Mouser Electronics

Authorized Distributor

Click to View Pricing, Inventory, Delivery & Lifecycle Information:

## Rubycon:

[10ZLK1000M10X16](#) [10ZLK1000M8X20](#) [10ZLK1500M10X20](#) [10ZLK1800M10X25](#) [10ZLK680M10X12.5](#)  
[10ZLK680M8X16](#) [35ZLK220M10X12.5](#) [35ZLK220M8X16](#) [35ZLK270M8X20](#) [35ZLK330M10X16](#) [35ZLK470M10X20](#)  
[35ZLK560M10X25](#) [25ZLK1000M10X25](#) [25ZLK330M8X16](#) [25ZLK390M10X12.5](#) [25ZLK470M8X20](#) [25ZLK560M10X16](#)  
[25ZLK820M10X20](#) [16ZLK1200M10X20](#) [16ZLK1500M10X25](#) [16ZLK470M8X16](#) [16ZLK560M10X12.5](#)  
[16ZLK680M8X20](#) [16ZLK820M10X16](#)