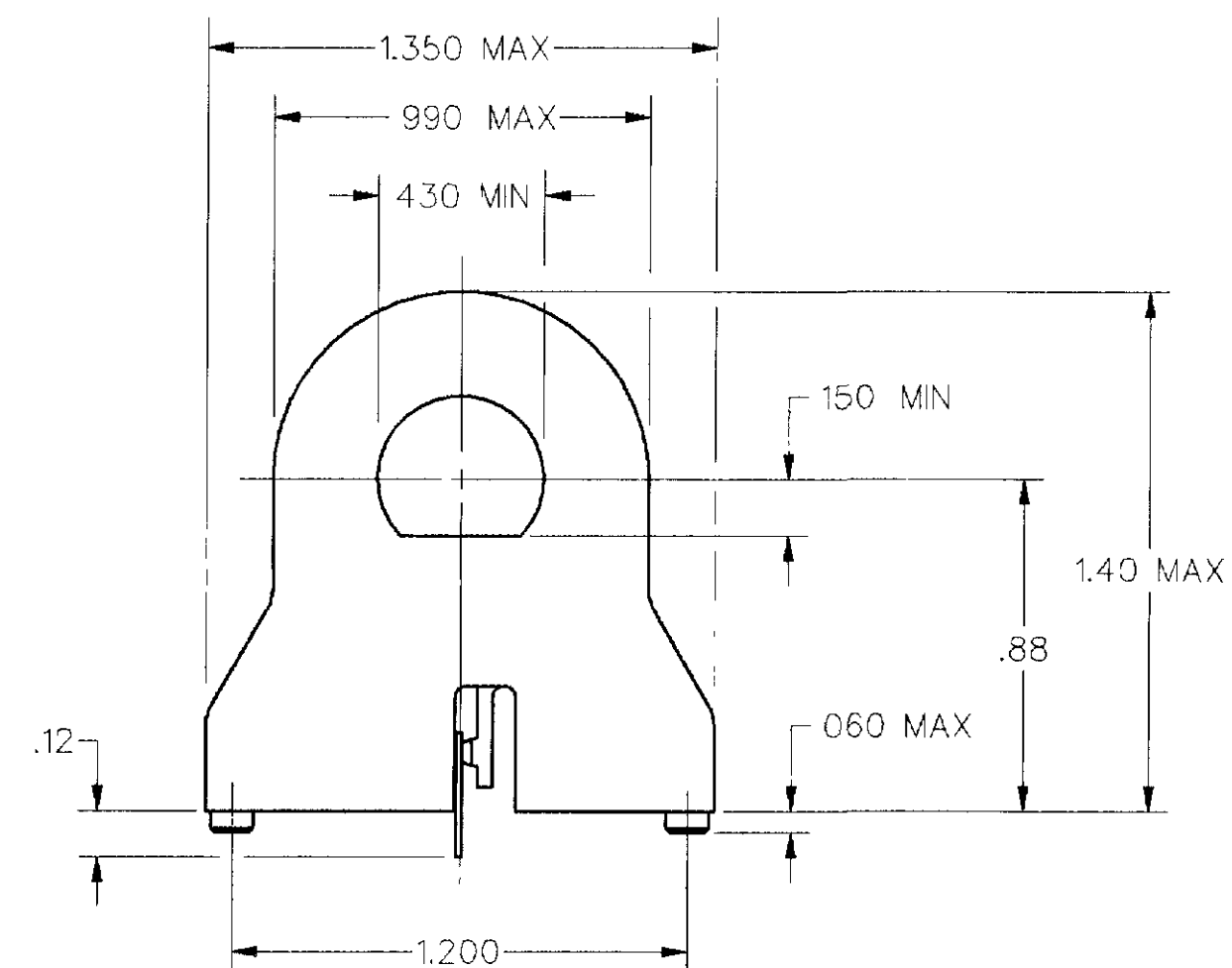
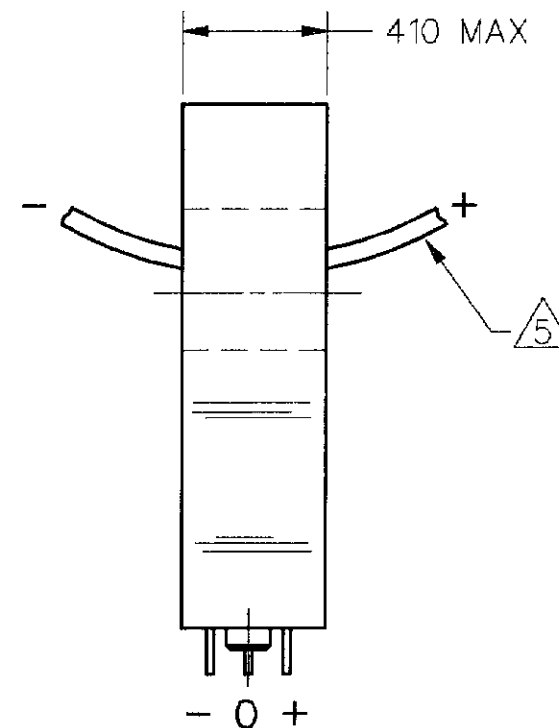
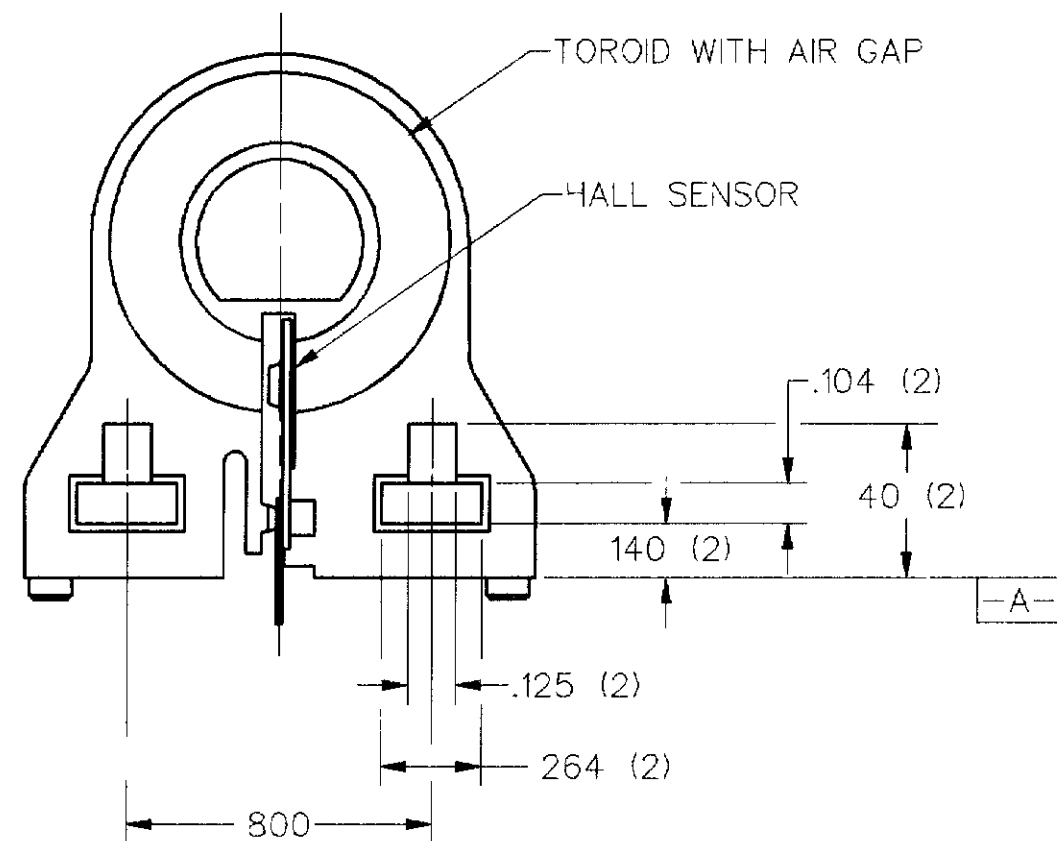


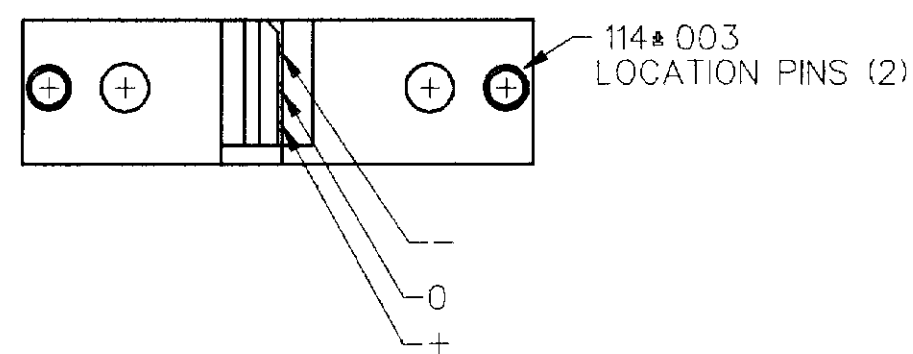
SUGGESTED HOLE CENTERS

SCALE 4:1



NOTES

- 1 - AIR GAP IN TOROID IS .178
 - 2 - GAUSS LEVEL IN AIR GAP IS 2.45 TO 2.70 GAUSS PER NI
 - 3 - RECOMMENDED MOUNTING IS 4-40 SQUARE NLT AND .375 LONG 4-40 SCREW
 - 4 - SEE 91SS12-2 FOR ELECTRICAL CHARACTERISTICS
- (5) CONVENTIONAL CURRENT FLOW IN DIRECTION INDICATED WILL CAUSE AN INCREASE IN HALL VOLTAGE



DRAWING NUMBER: CSLA1CH
 RELEASE NO.: PR-13833
 REPLACES: X80334-CS
 ISSUE: 4
 CHECK: 6 MAR 00
 CHECK: SAV 6 MAR 00
 DRAWN: DLM 6 MAR 00
 FORMTEK



MASTER REDUCED

THIS DRAWING COVERS A PROPRIETARY ITEM AND IS THE PROPERTY OF MICRO SWITCH, A DIVISION OF HONEYWELL. THIS DRAWING IS NOT TO BE COPIED OR USED WITHOUT THE APPROVAL OF MICRO SWITCH.

MICRO SWITCH
a Honeywell Division

CURRENT SENSOR

CATALOG LISTING
CSLA1CH

FED. MFG. CODE 91929

THIRD ANGLE PROJECTION		
SCALE 2:1		
DO NOT SCALE PRINT		
UNLESS OTHERWISE SPECIFIED TOLERANCES ARE		
ONE PLACE	(.0)	±.030
TWO PLACES	(.00)	±.015
THREE PLACES	(.000)	±.005
ANGLES		±
WEIGHT		