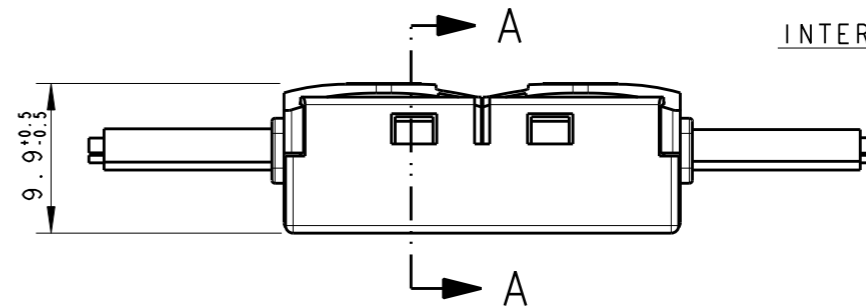
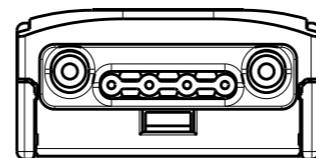
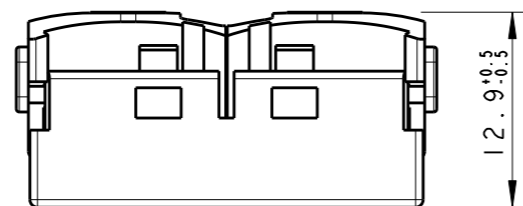
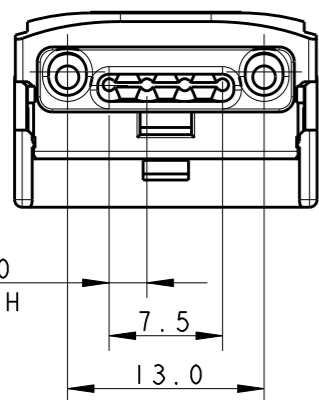
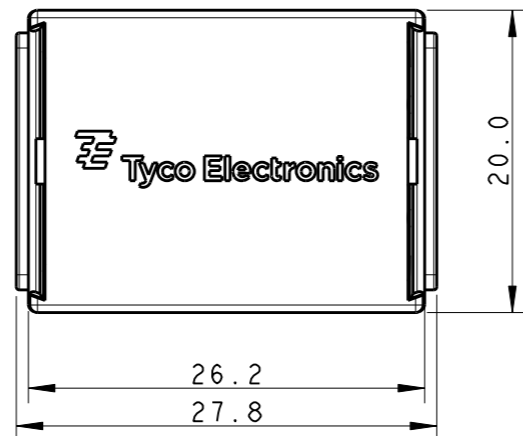
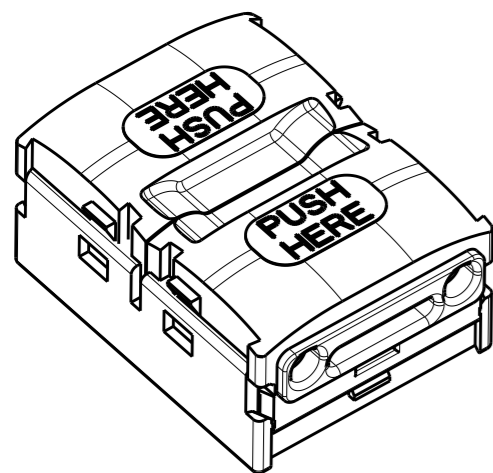
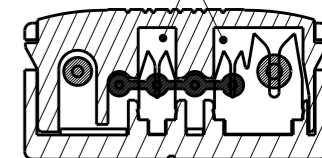


LOC		DIST		REVISIONS			
P	LTR	DESCRIPTION		DATE	DWN	APVD	
-	-	A	REVISED PER ECR-10-014988	27JUL2010	HMR	PP	



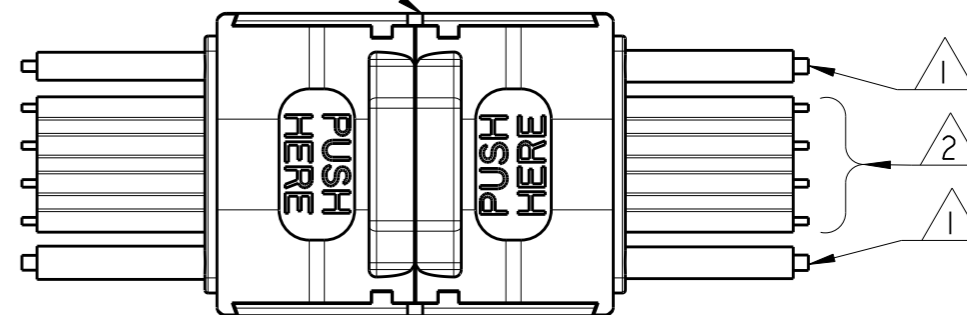
GEL FILLED INTERNAL VOLUME



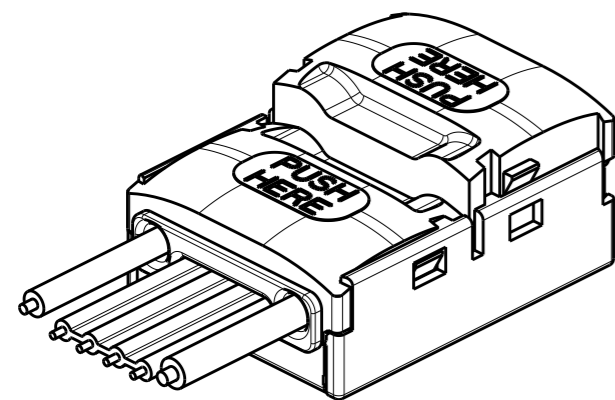
SECTION A-A

APPLICATION (FULLY LOADED : ALL WIRES CRIMPED)

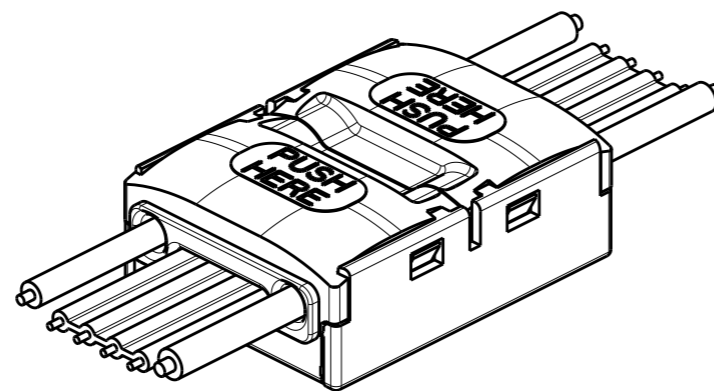
P/N X-293521-Y



PARTIAL TERMINATION (ONE SIDE)



COMPLETE TERMINATION (BOTH SIDES)



1 SINGLE CABLE (SOLID TINNED WIRE);
 20AWG, 18AWG, 0.50mm², 0.75mm²
 INSULATION DIAMETER: 2.20mm MAX;
 INSULATION MATERIAL: PVC.

2 RIBBON CABLE, 4 WIRES
 PITCH 2.50±0.10mm, MAX WIDTH: 8.7mm
 AWG26/7 (FUSED TINNED STRANDS) OR
 AWG24/7 (FUSED AND NON FUSED TINNED STRANDS);
 INSULATION MATERIAL: PVC.

3 CONNECTOR TERMINATIONS ACHIEVED BY ALLIGATOR PLIERS.
 APPLICATION ACCORDING TO APPLICATION SPEC 114-19131

5-293521-1	TRANSPARENT
293521-1	TRANSPARENT
PART NUMBER	COLOR

<small>THIS DRAWING IS A CONTROLLED DOCUMENT FOR TYCO ELECTRONICS CORPORATION IT IS SUBJECT TO CHANGE AND THE CONTROLLING ENGINEERING ORGANIZATION SHOULD BE CONTACTED FOR THE LATEST REVISION.</small>		DWN 29APR2009 Erik Derks CHK 29APR2009 Erik Derks APVD 22jun09 Giovanni Turco		Tyco Electronics AMP Italia S.r.l. C.so F.lli Cervi, 15 - Collegno (TO)	
DIMENSIONS: mm		TOLERANCES UNLESS OTHERWISE SPECIFIED: 0 PLC ±0.5 1 PLC ±0.3 2 PLC ±0.1 3 PLC ± 4 PLC ± ANGLES ±1		NAME 4 POS. SEALED CONNECTOR FOR LED LIGHTING APPLICATION STANDARD VERSION	
		MATERIAL PC UNFILLED TRANSPARENT COLOURS ACC. TO UL94-V0 (3mm)		FINISH -	
CUSTOMER DRAWING		WEIGHT -		SIZE A3 CAGE CODE 00779 DRAWING NO C-293521 RESTRICTED TO -	
SCALE 2:1		SHEET 1 OF 1		REV A	