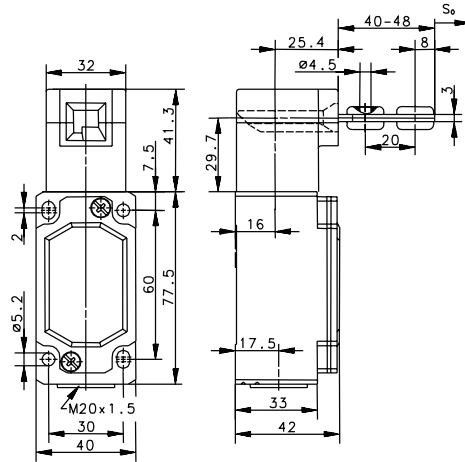


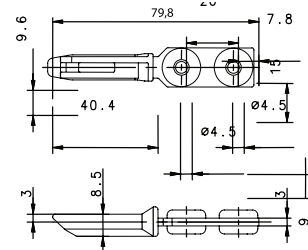
**ENM2 Series**

**ENM2 VTW**



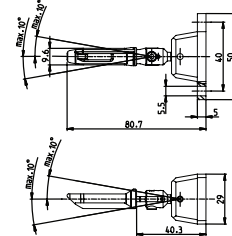
**Replacement actuator keys:**

**A1 ACTUATOR KEY**  
391.1702.228



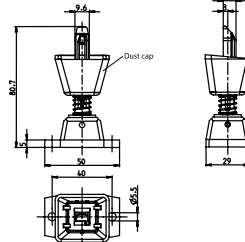
15.7" Minimum Bend Radius

**A2 ACTUATOR KEY**  
391.1702.229



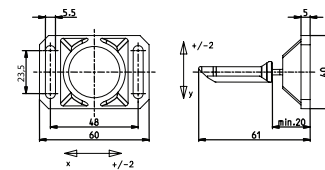
5.9" Minimum Bend Radius

**A3 ACTUATOR KEY**  
391.1702.230



15.7" Minimum Bend Radius

**A4 ACTUATOR KEY**  
391.1702.231



13.8" Minimum Bend Radius

Switching Operation	Slow Action	High Activation Force	Radius Activation
<b>1 NC / 1 NO Contacts</b>	<b>601.6219.100</b> ENM2-U1Z VTW 	-	-
<b>1 NC Contacts</b>	-	-	-
<b>2 NC Contacts</b>	<b>601.6269.105</b> ENM2-A2Z VTW 	-	-
<b>2 NC / 1 NO Contacts Overlapping</b>	<b>601.6269.104</b> ENM2-UV15Z VTW 	-	-

**Technical Information**

	Slow Action	High Activation Force	Radius Activation
Maximum Switching Voltage	240V		
Max. Switching Amps (up to)*	10A		
B10d (up to)*	20 Million		
Mechanical Service Life (up to)*	10 x 10 <sup>6</sup>		
Switching Frequency	≤ 30/min		
Operating Temperature	-30 °C to +80 °C		
Protection Rating	IP65		
Utilization Category (up to)*	AC-15, Ue/Ue 240V 3A		
Rate Insulation Voltage	400VAC		

Approvals

\* Depending on switching system - see technical information for details

