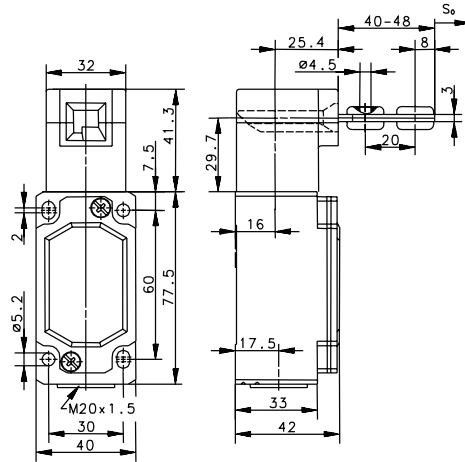


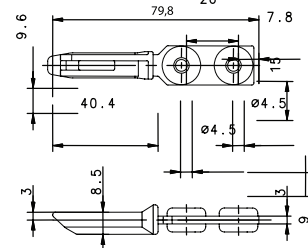
ENM2 Series

ENM2 VTW



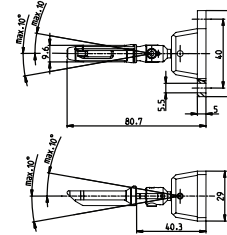
Replacement actuator keys:

A1 ACTUATOR KEY
391.1702.228



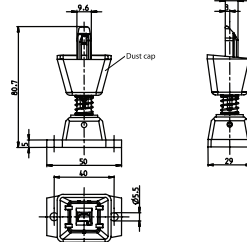
15.7" Minimum Bend Radius

A2 ACTUATOR KEY
391.1702.229



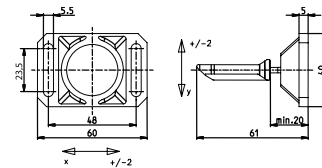
5.9" Minimum Bend Radius

A3 ACTUATOR KEY
391.1702.230



15.7" Minimum Bend Radius

A4 ACTUATOR KEY
391.1702.231



13.8" Minimum Bend Radius

Switching Operation	Slow Action	High Activation Force	Radius Activation
1 NC / 1 NO Contacts	601.6219.100 ENM2-U1Z VTW 	-	-
1 NC Contacts	-	-	-
2 NC Contacts	601.6269.105 ENM2-A2Z VTW 	-	-
2 NC / 1 NO Contacts Overlapping	601.6269.104 ENM2-UV15Z VTW 	-	-

Technical Information

	Slow Action	High Activation Force	Radius Activation
Maximum Switching Voltage	240V		
Max. Switching Amps (up to)*	10A		
B10d (up to)*	20 Million		
Mechanical Service Life (up to)*	10 x 10 ⁶		
Switching Frequency	≤ 30/min		
Operating Temperature	-30 °C to +80 °C		
Protection Rating	IP65		
Utilization Category (up to)*	AC-15, Ue/Ue 240V 3A		
Rate Insulation Voltage	400VAC		

* Depending on switching system - see technical information for details

