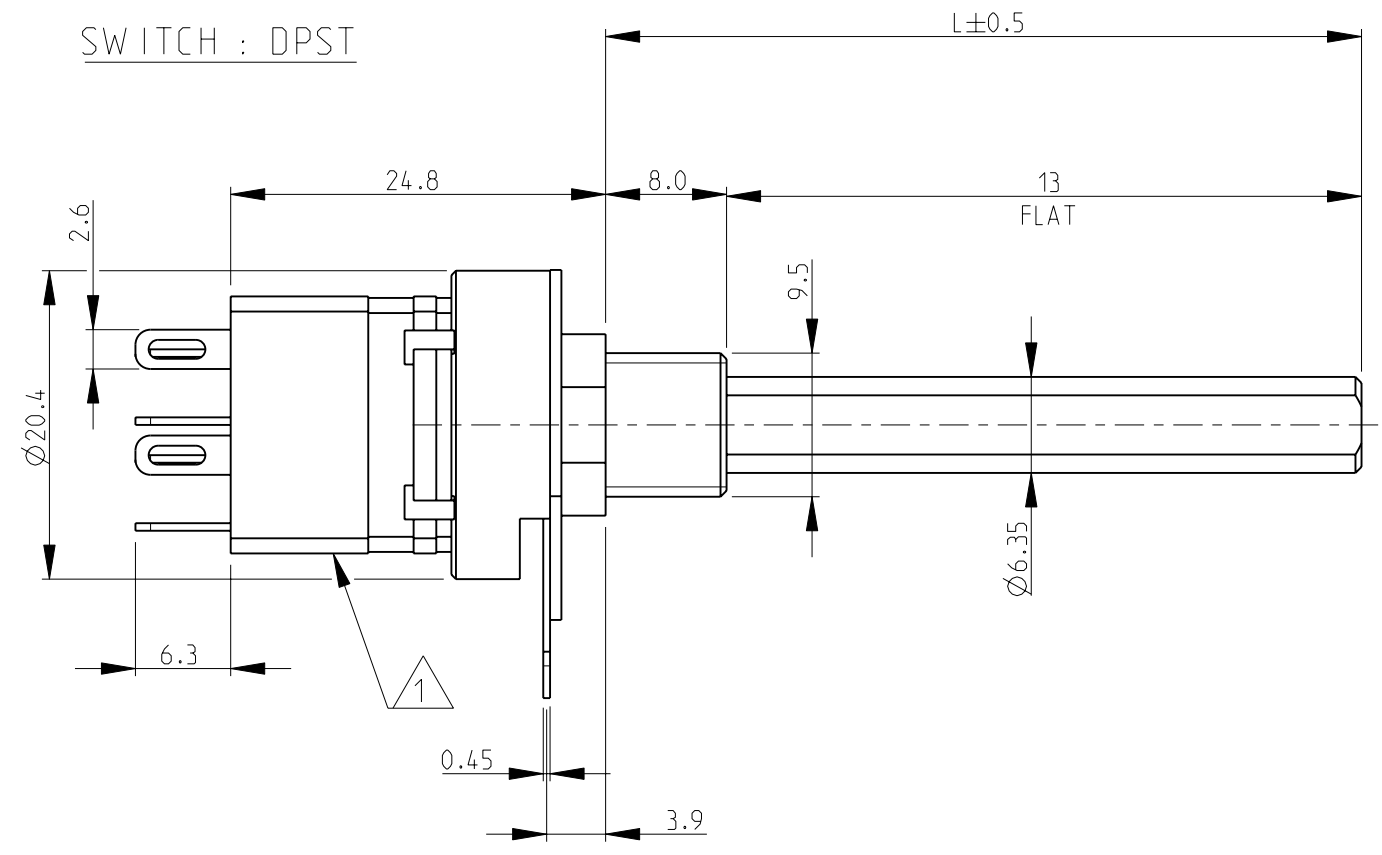


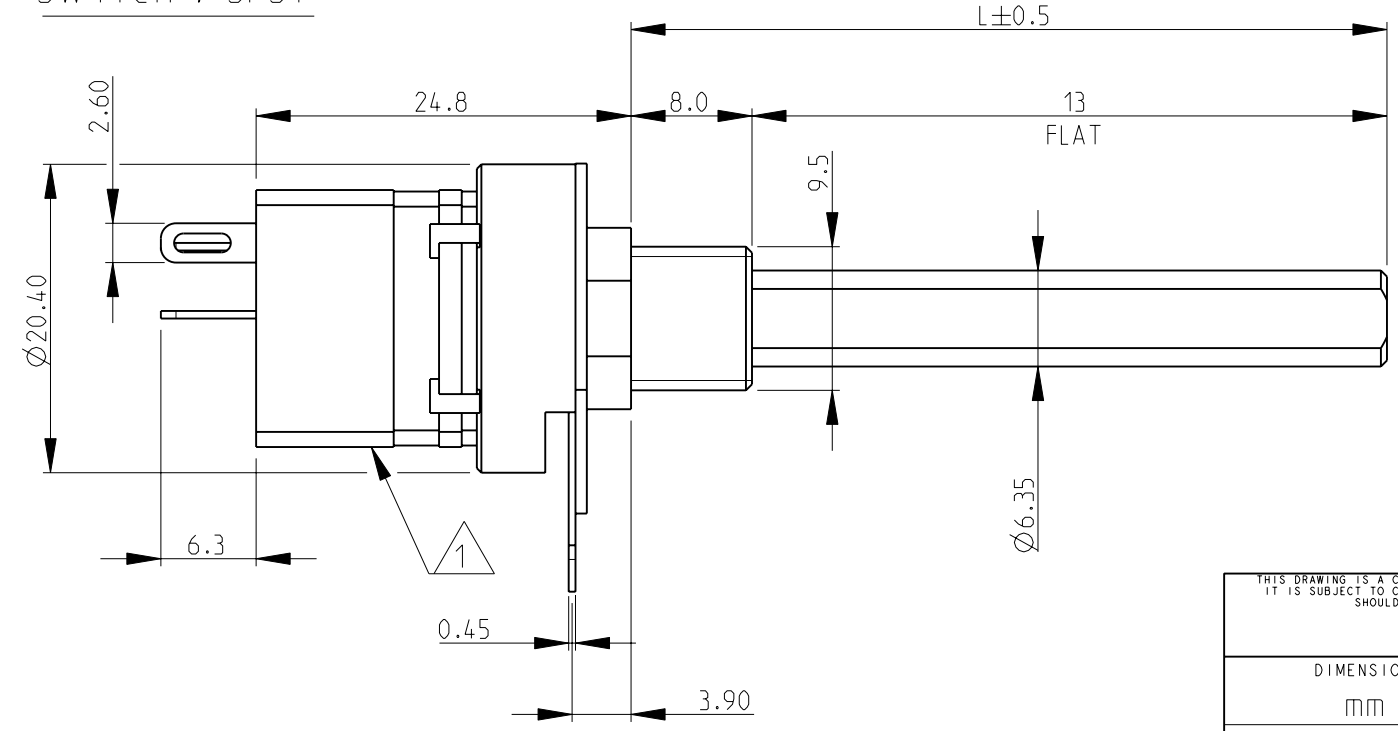
THIS DRAWING IS UNPUBLISHED. RELEASED FOR PUBLICATION 2008
 © COPYRIGHT 2008 BY TYCO ELECTRONICS CORPORATION. ALL RIGHTS RESERVED.

| LOC | | DIST | | REVISIONS | | | |
|-----|-----|-------------|-------------|-----------|-----|------|--|
| P | LTR | DESCRIPTION | | DATE | DWN | APVD | |
| E | B | BA | NEW RELEASE | 30-Jul-08 | SM | St.P | |

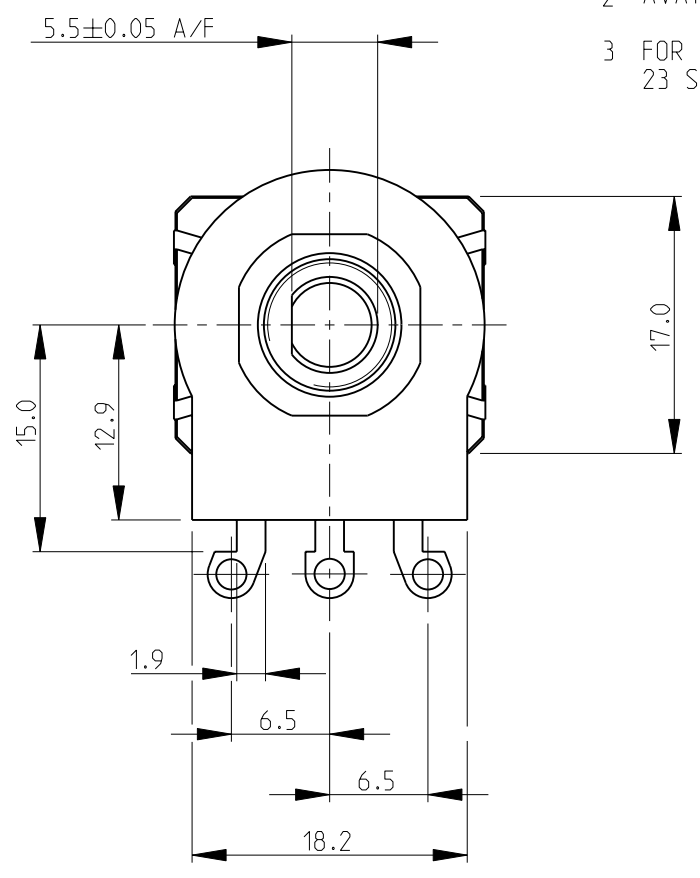
SWITCH : DPST



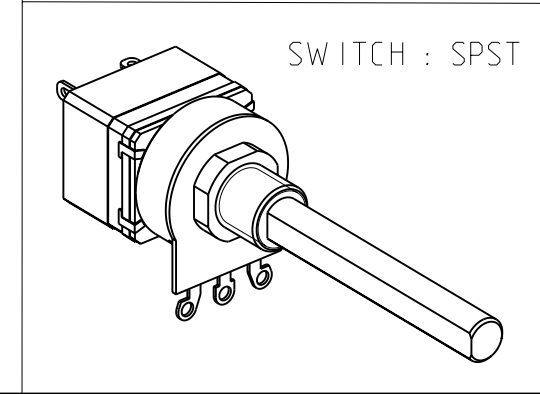
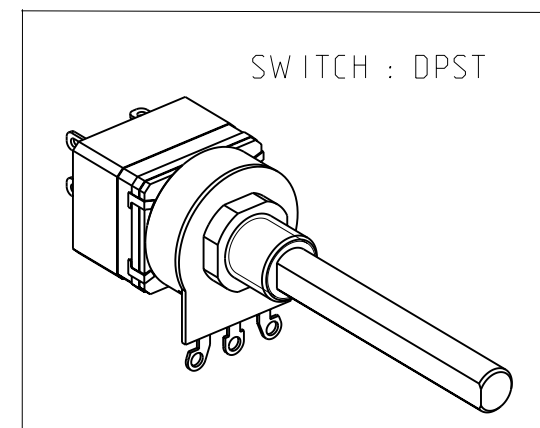
SWITCH : SPST



- 1 SWITCH TYPE: DPST (4A) SHOWN. TYPE SPST (4A) ALSO AVAILABLE
- 2 AVAILABLE IN DIFFERENT SHAFT LENGTHS (L) SEE DATA SHEET
- 3 FOR FURTHER INFORMATION SEE DATA SHEET FOR 23 SERIES-SPINDLE OPERATED POTENTIOMETER



RoHS Compliant



| | | | | | | |
|--|--|------------------|-----------|-----------|--|---------|
| THIS DRAWING IS A CONTROLLED DOCUMENT FOR TYCO ELECTRONICS CORPORATION IT IS SUBJECT TO CHANGE AND THE CONTROLLING ENGINEERING ORGANIZATION SHOULD BE CONTACTED FOR THE LATEST REVISION. | | DWN | SUBHASH.M | 30-Jul-08 | Tyco Electronics Corporation Dorcan, Swindon, SN3 5HH | |
| DIMENSIONS: mm | | CHK | PRAKASH.S | 30-Jul-08 | | |
| | | APVD | STEPHEN.P | 30-Jul-08 | | |
| TOLERANCES UNLESS OTHERWISE SPECIFIED: | | NAME | | | SPINDLE OPERATED POTENTIOMETER SERIES 23E | |
| 0 PLC ±0.5 1 PLC ±0.2 2 PLC ±0.1 3 PLC ± 4 PLC ± ANGLES ±5° | | PRODUCT SPEC | | | - | |
| MATERIAL - | | APPLICATION SPEC | | | - | |
| FINISH - | | WEIGHT - | | | RESTRICTED TO - | |
| | | CUSTOMER DRAWING | | | SIZE | A3 |
| | | | | | CAGE CODE | 00779 |
| | | | | | DRAWING NO | 1624213 |
| | | | | | SCALE | 2:1 |
| | | | | | SHEET | 1 OF 1 |
| | | | | | REV | BA |