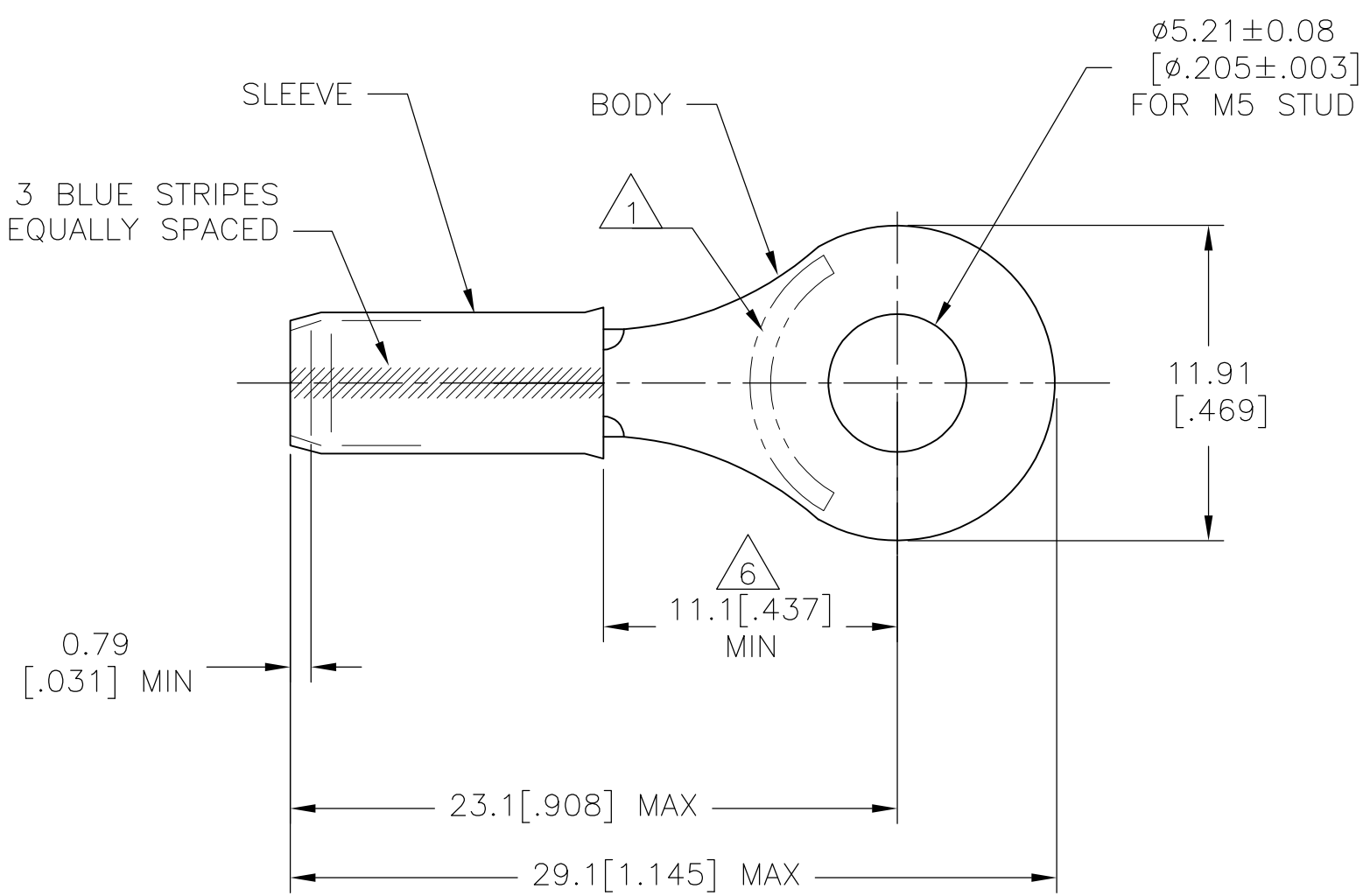


THIS DRAWING IS UNPUBLISHED. RELEASED FOR PUBLICATION
 © COPYRIGHT - By - ALL RIGHTS RESERVED.

LOC	DIST	REVISIONS					
		P	LTR	DESCRIPTION	DATE	DWN	APVD
G	02		E	REVISED PER ECO-14-015277	24FEB2015	NK	DR



- 1 STAMP "AMP 16-14*" LOCATED APPROX AS SHOWN, TERMINAL IS A 16 IR AND ACCEPTS, 16 AWG WIRE ONLY.
- 2 MATERIAL: TERMINAL - COPPER PER ASTM B-152, ANNEALED. SLEEVE - NYLON, COLOR BLUE.
- 3 FINISH: TERMINAL - 0.00254[.000100] MIN TIN PLATE PER ASTM B-545.
- 4 WIRE INSULATION DIA 1.6-3.3[.063-.130].
- 5 TONGUE MATERIAL THK: 0.79±0.05[.031±.002].
- 6 DIMENSION APPLIES FROM EDGE OF WIRE BARREL TO CENTER OF STUD HOLE.
- 7 MAX RECOMMENDED OPERATING TEMP 105°C[221°F].
- 8 VOLTAGE RATING IS 300 V MAX.
- 9 1.04-1.65mm² [2,050-3,260] CMA, STRANDED.

1000	LOOSE PIECE	134021-1
QTY	PACKAGING TYPE	PART NO

THIS DRAWING IS A CONTROLLED DOCUMENT.		DWN	JR RUTH	19OCT07	STE TE Connectivity											
DIMENSIONS: mm [INCHES]		CHK	T MICHIELUTTI	19OCT07												
TOLERANCES UNLESS OTHERWISE SPECIFIED:		APVD	T MICHIELUTTI	19OCT07												
<table border="0"> <tr><td>0 PLC</td><td>± -</td></tr> <tr><td>1 PLC</td><td>± -</td></tr> <tr><td>2 PLC</td><td>± -</td></tr> <tr><td>3 PLC</td><td>± 0.20[.008]</td></tr> <tr><td>4 PLC</td><td>± -</td></tr> <tr><td>ANGLES</td><td>± -</td></tr> </table>		0 PLC	± -	1 PLC		± -	2 PLC	± -	3 PLC	± 0.20[.008]	4 PLC	± -	ANGLES	± -	PRODUCT SPEC	NAME
0 PLC	± -															
1 PLC	± -															
2 PLC	± -															
3 PLC	± 0.20[.008]															
4 PLC	± -															
ANGLES	± -															
MATERIAL		APPLICATION SPEC	TERMINAL, RING TONGUE, I.R., PIDG, WIRE SIZE 16 AWG													
FINISH		WEIGHT	SIZE	CAGE CODE	DRAWING NO	RESTRICTED TO										
<table border="0"> <tr><td>2</td></tr> </table>		2	-		A3	00779	C-134021	-								
2																
CUSTOMER DRAWING				SCALE	4:1	SHEET	1 OF 1	REV	E							