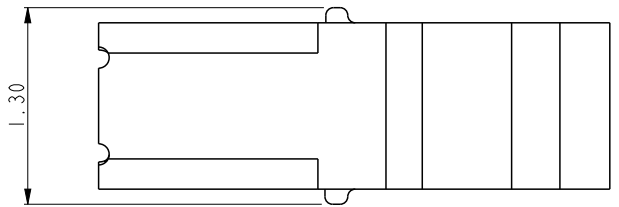
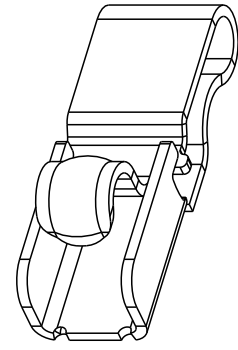
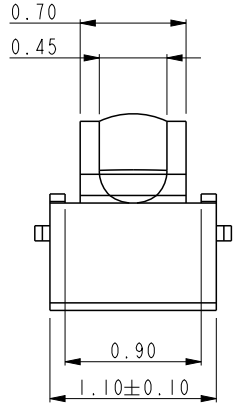
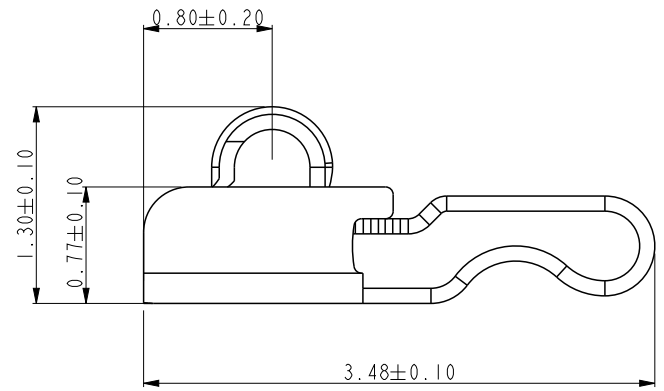




Copyright FCI.

	PRODUCT NO.
FCI	10104320-001RLF 10104320-003RLF 10104320-009RLF



NOTES:
 1.MATERIAL: BERYLLIUM COPPER ALLOY.
 2.CONTACT PLATING:
 CONTACT AREA: PLATING 1um Au OVER 1.0/3.0um Ni UNDERPLATE,
 or PLATING 0.05 to 0.15um Au OVER 1.0/3.0um Ni UNDERPLATE
 or PLATING 1um GXT OVER 1.0/3.0um Ni UNDERPLATE
 (1um GXT is 0.025~0.125um Au + 0.875um PdNi)
 SOLDER AREA : PLATING 0.05 TO 0.15um Au OVER 1.0/3.0um Ni UNDERPLATE.
 3.PACKAGING: TAPE & REEL
 4.PART NUMBER DESCRIPTION:
 10104320-0 0 X X X

LF: LEAD FREE
 R: TAPE & REEL
 CONTACT PLATING:
 1. 1um Au OVER Ni
 3. 0.05~0.15um Au OVER Ni
 9. 1um GXT OVER Ni

rev	ecn no	dr	date
A	DG09-0331	NZ	2009-11-10
B	DG11-0048	SM	2011-02-22
C	ELX-DG-010840-1	ANDY	2012-03-23
-	-	-	-
-	-	-	-

spec ref	*	dr	Louis Ng	2009/10/06	projection	mm	size	A4	scale	20.000					
tolerance std	TOLERANCES UNLESS OTHERWISE SPECIFIED	eng	Andy Lu	2012/03/23			ecn no		ELX-DG-010840-1						
ASME Y14.5		chr	Young Ou	2012/03/26			rel level		Released						
surface	linear	appr	Pei-Ming Zheng	2012/03/26	product family	-	dwg no		10104320						
	0.X ±0.25			title ANTENNA CONNECTOR UNIVERSAL CONTACT		rev C		www.fci.com		cat. no. 10104320					
	0.XX ±0.10											Product - Customer Drw		sheet 1 of 1	
	0.XXX ±0.050														
ASME Y14.5	angular	0° ±2°													

ProjE File - REV C - 2009-06-09