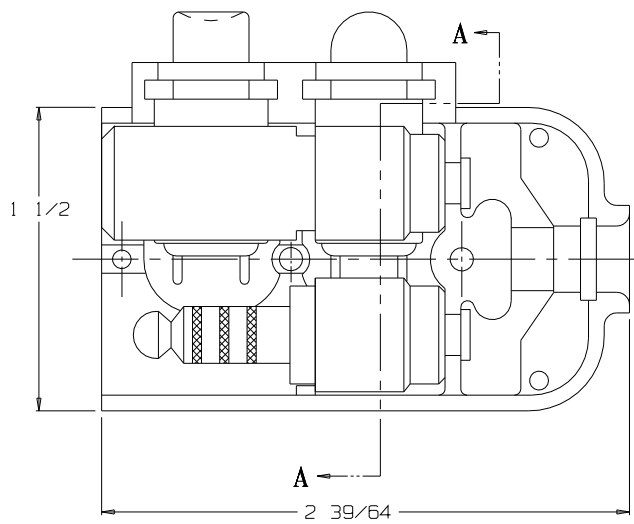
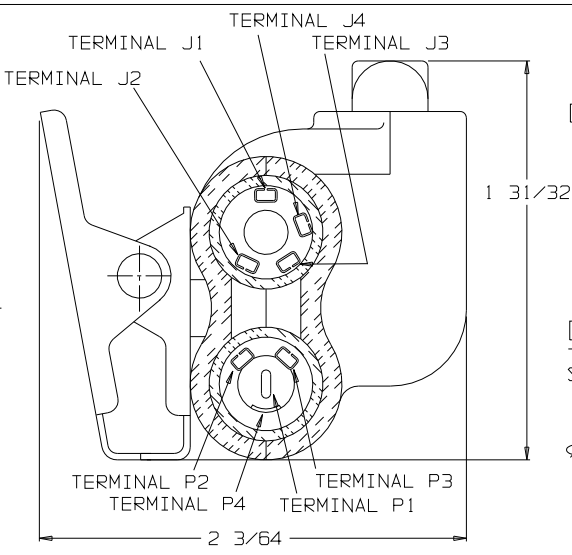


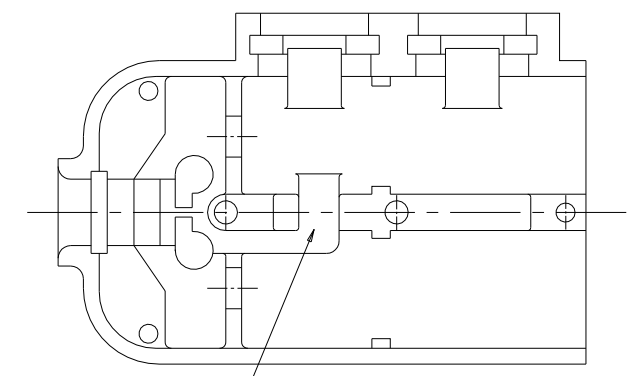
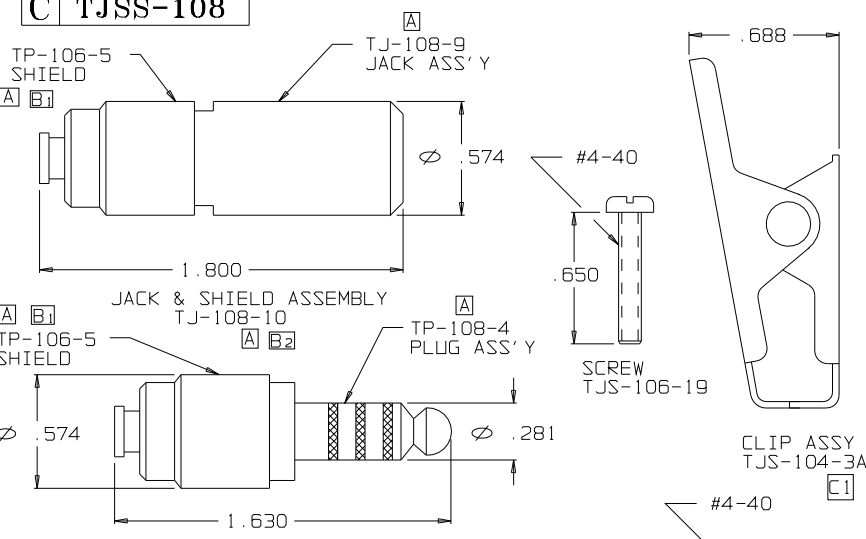
C TJSS-108



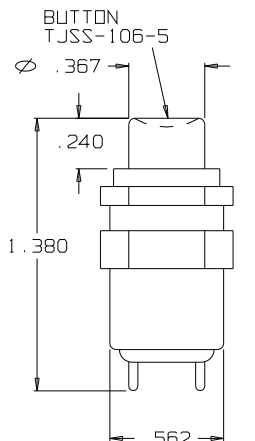
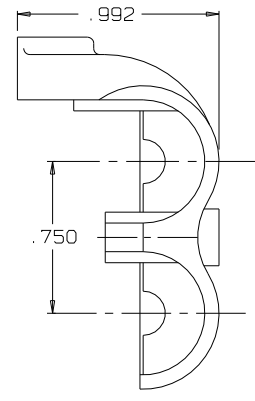
VIEW WITH HALF SHELL REMOVED



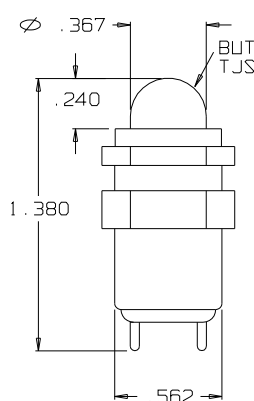
SECTION A-A



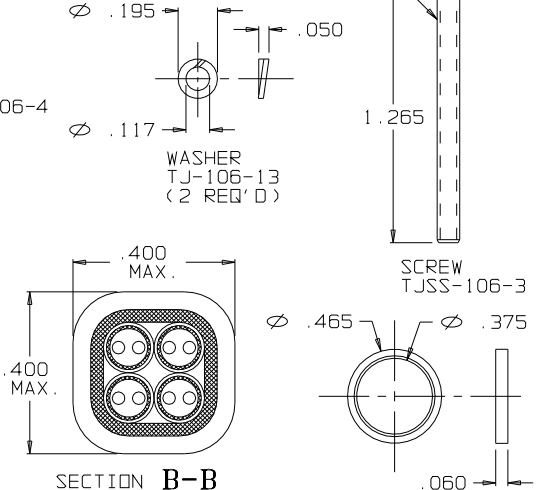
CHANNEL FOR SWITCH LEADS SHELL, HALF TJSS-106-2



[E1] NX301LB1B SWITCH

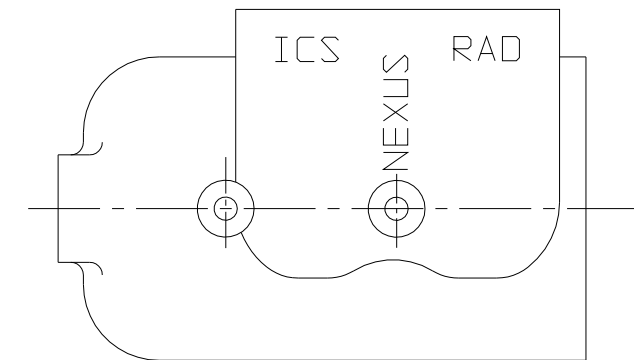


[E1] NX301LB1G SWITCH

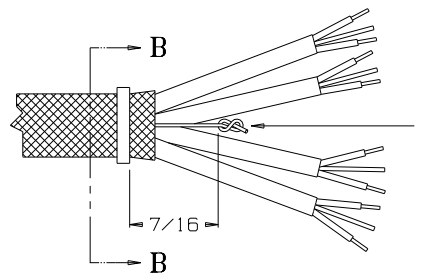
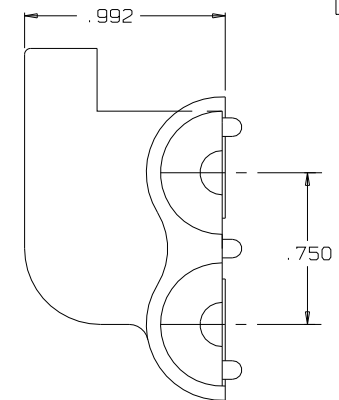


SECTION B-B
STRAIN RELIEF CLAMP TJSS-106-8
AFTER CRIMPING
SCALE 4:1

RING, STRAIN RELIEF TJSS-106-6



SHELL, HALF TJSS-108-1



STAY CORD-VARNISH KNOT

THIS DOCUMENT CONTAINS PROPRIETARY INFORMATION OF NEXUS, INCORPORATED AND SUCH INFORMATION MAY NOT BE DISCLOSED TO OTHERS FOR ANY PURPOSE OR USED FOR ANY PURPOSE WITHOUT THE WRITTEN CONSENT OF NEXUS.

DWN BY M.N.F.				DATE 12/14/94		MATERIAL	
CHECKED BY L. SMITH				DATE 4/6/95		FINISH	
APPR BY L. SMITH				DATE 4/6/95		WEIGHT	
TITLE JACK-TELEPHONE-BIAXIAL SHIELDED (8) CONDUCTOR WITH TWO SWITCHES				SCALE NONE		SIZE	
UNLESS OTHERWISE SPECIFIED DIMENSIONS ARE IN INCHES TOLERANCES ON FRACTIONS DECIMALS ANGLES				DO NOT SCALE DWG.		SHEET 1 OF 1	
E	1) WAS SWITCH SPND	067	6/25/10	G.P.H.			
D	1) WAS TJSS-106-1	0508	3/29/04	EWT			
C	1) WAS TJSS-104-3	0319	10/7/98	EWT			
B	3) WAS TJSS-108-6 2) WAS TJSS-108-2 1) WAS TJSS-108-7	0222	4/2/96	L.S.			
A	REVISED PART NO'S	0200	11/9/95	L.S.			
LET.	REVISION	CN #	DATE	CHK	±	1/64	±

NEXUS
STAMFORD, CONN
SIZE C
TJSS-108