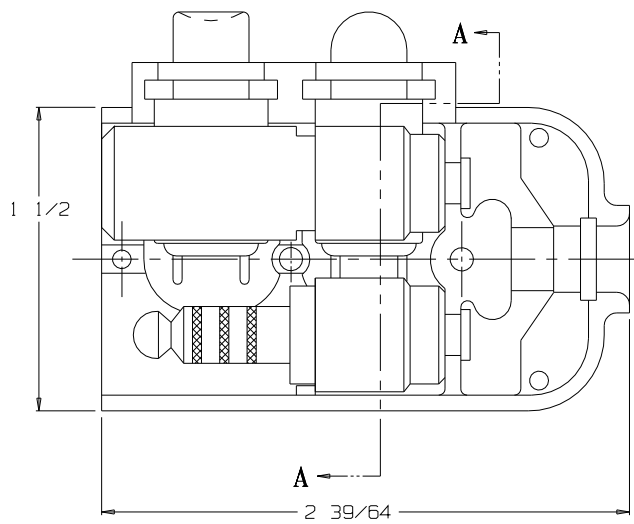
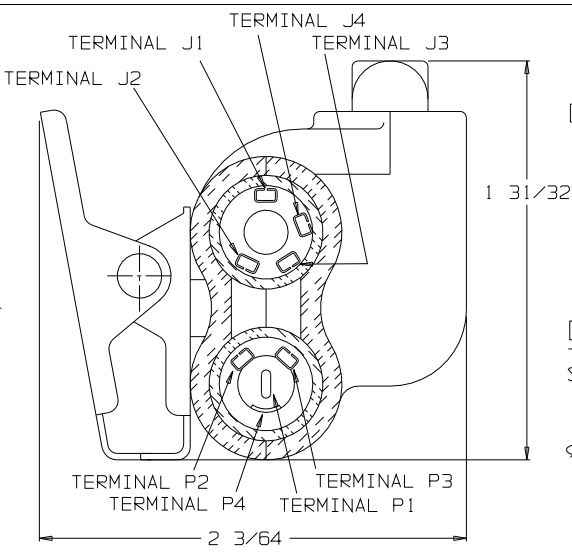


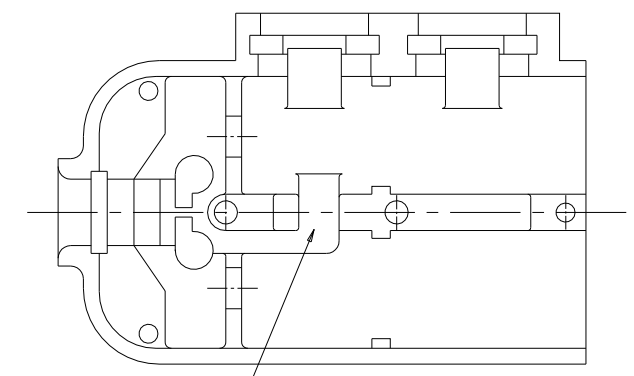
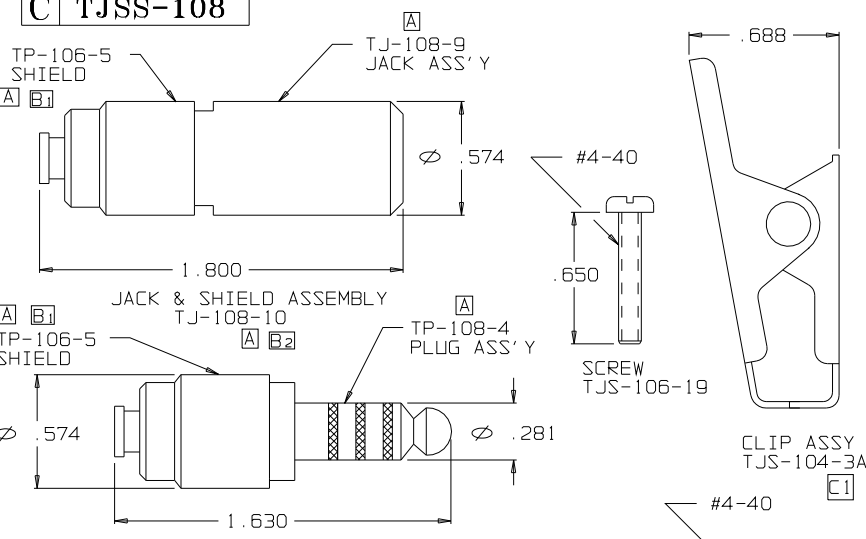
**C TJSS-108**



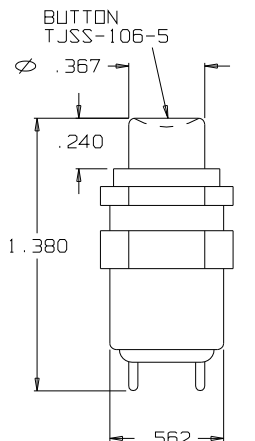
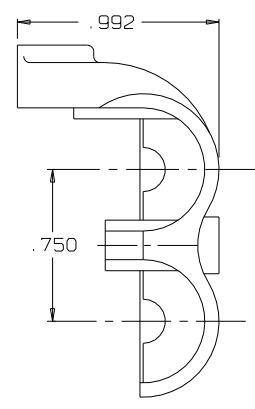
VIEW WITH HALF SHELL REMOVED



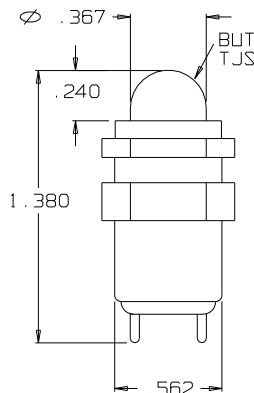
SECTION A-A



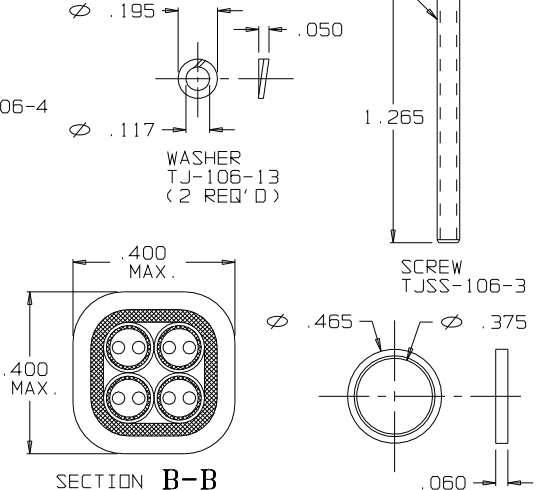
CHANNEL FOR SWITCH LEADS SHELL, HALF TJSS-106-2



[E1] NX301LB1B SWITCH

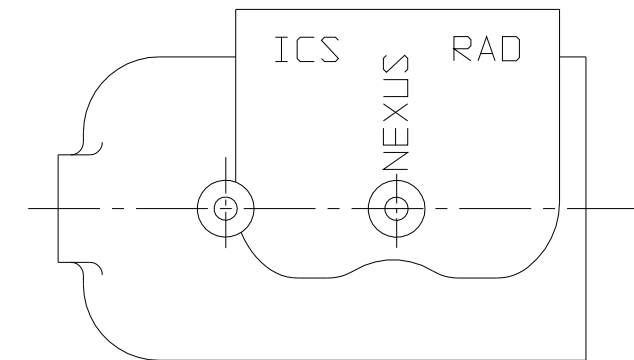


[E1] NX301LB1G SWITCH

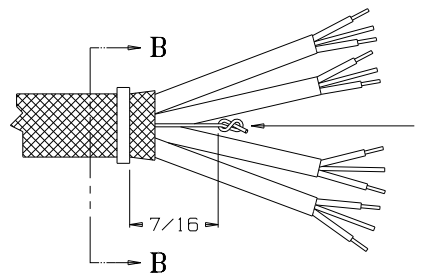
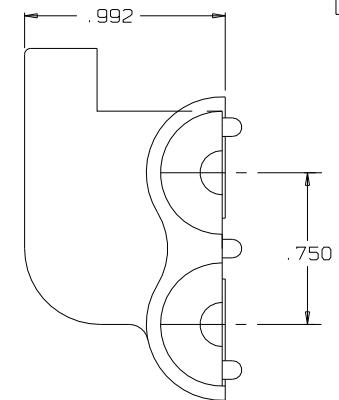


SECTION B-B  
STRAIN RELIEF CLAMP TJSS-106-8  
AFTER CRIMPING  
SCALE 4:1

RING, STRAIN RELIEF TJSS-106-6



SHELL, HALF TJSS-108-1 [D1]



STAY CORD-VARNISH KNOT

THIS DOCUMENT CONTAINS PROPRIETARY INFORMATION OF NEXUS, INCORPORATED AND SUCH INFORMATION MAY NOT BE DISCLOSED TO OTHERS FOR ANY PURPOSE OR USED FOR ANY PURPOSE WITHOUT THE WRITTEN CONSENT OF NEXUS.

E 1) WAS SWITCH SPND 067 6/25/10 G.P.H.		DWN BY M.N.F. DATE 12/14/94		MATERIAL _____	
D 1) WAS TJSS-108-1 0508 3/29/04 EWT		CHECKED BY L. SMITH DATE 4/6/95		FINISH _____	
C 1) WAS TJSS-104-3 0319 10/7/98 EWT		APPR BY L. SMITH DATE 4/6/95		WEIGHT _____ SCALE NONE	
B 3) WAS TJSS-108-6 0222 4/2/96 L.S.		UNLESS OTHERWISE SPECIFIED DIMENSIONS ARE IN INCHES TOLERANCES ON FRACTIONS DECIMALS ANGLES		TITLE JACK-TELEPHONE-BIAXIAL SHIELDED (8) CONDUCTOR WITH TWO SWITCHES	
A REVISED PART NO'S 0200 11/9/95 L.S.				SIZE DWG. NO. C TJSS-108	
LET.	REVISION	CN #	DATE	CHK	DO NOT SCALE DWG. SHEET 1 OF 1