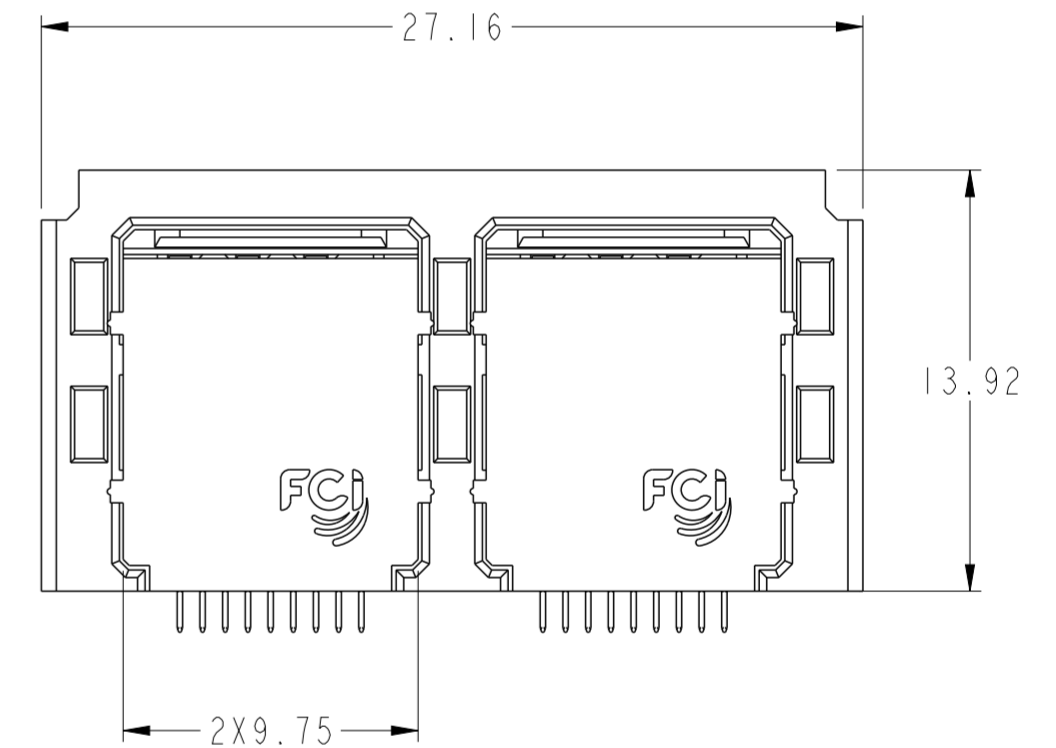
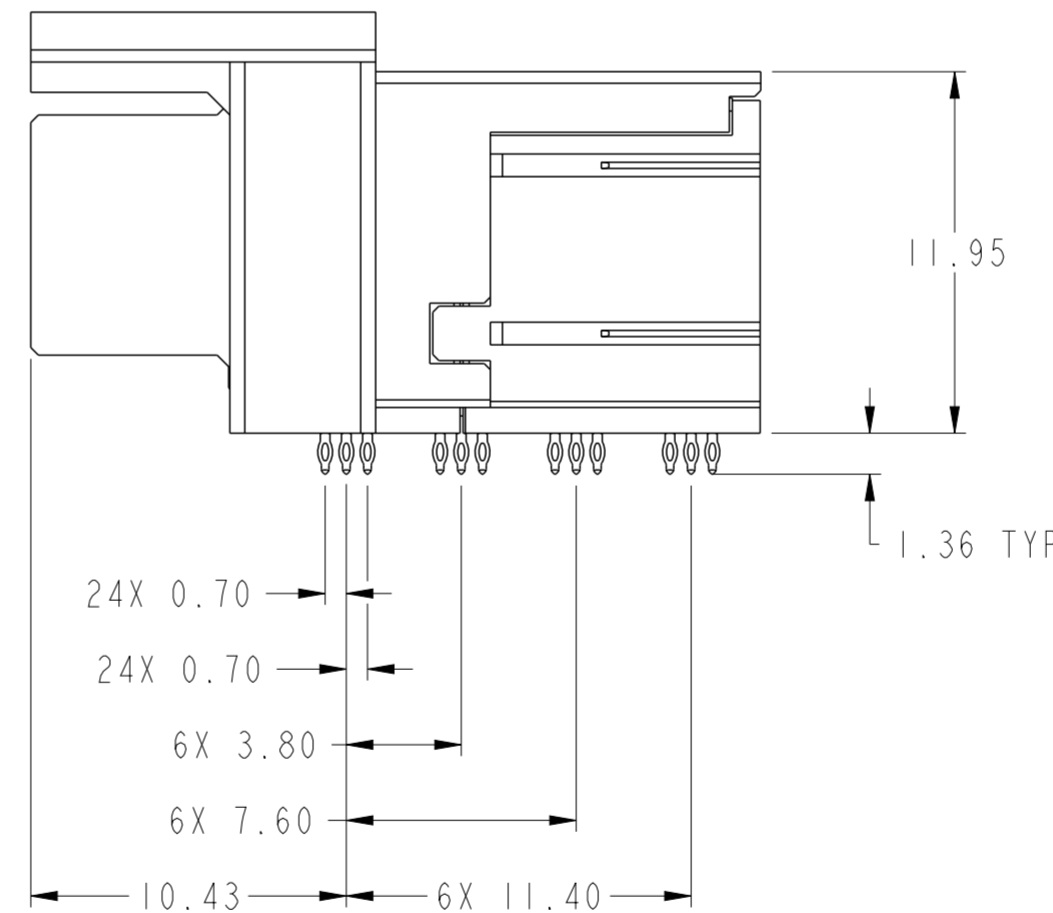
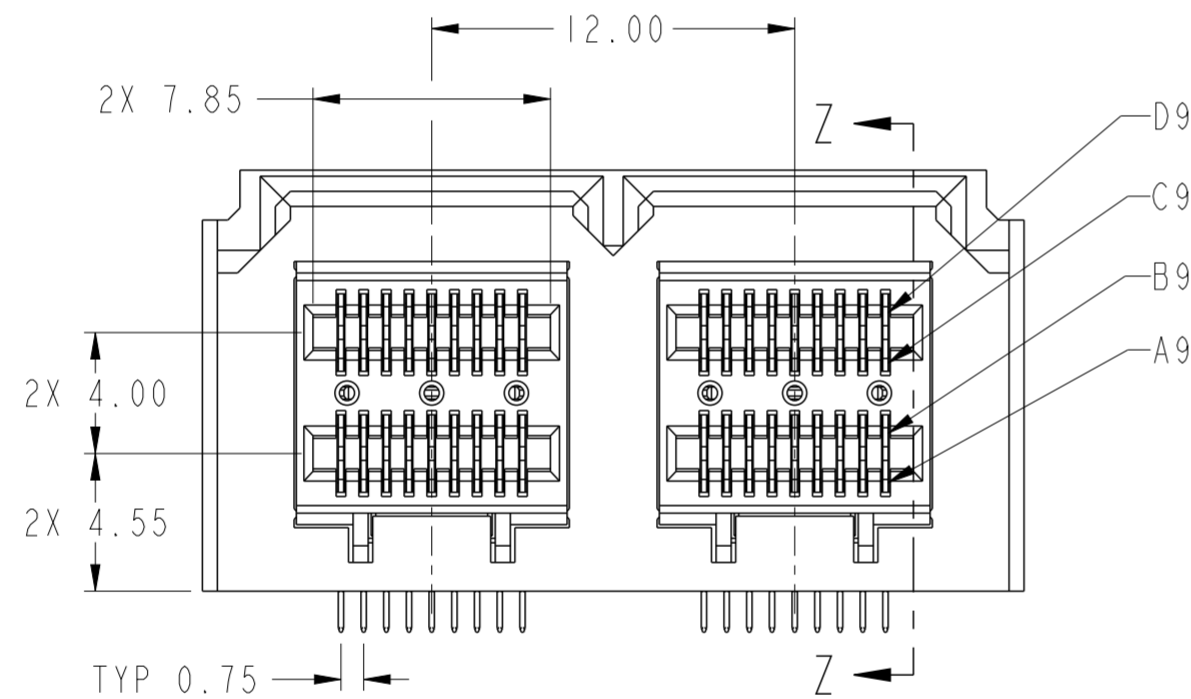
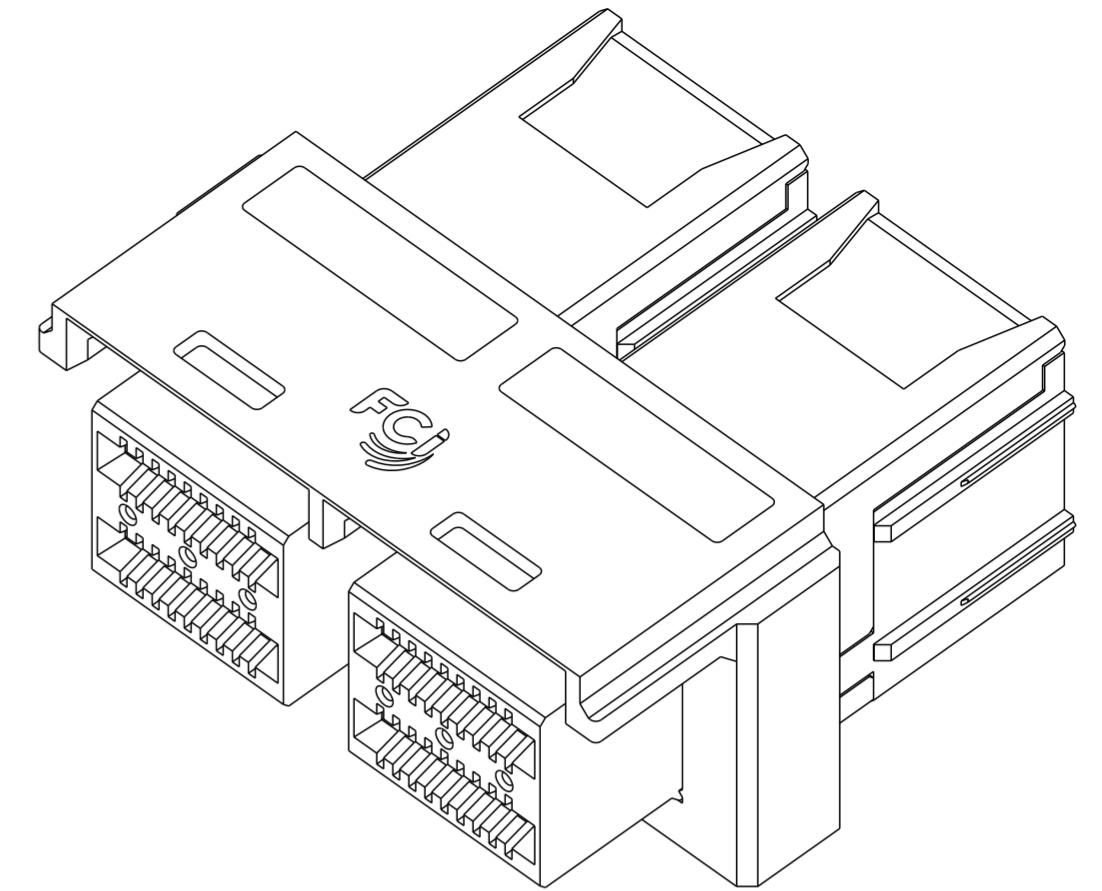
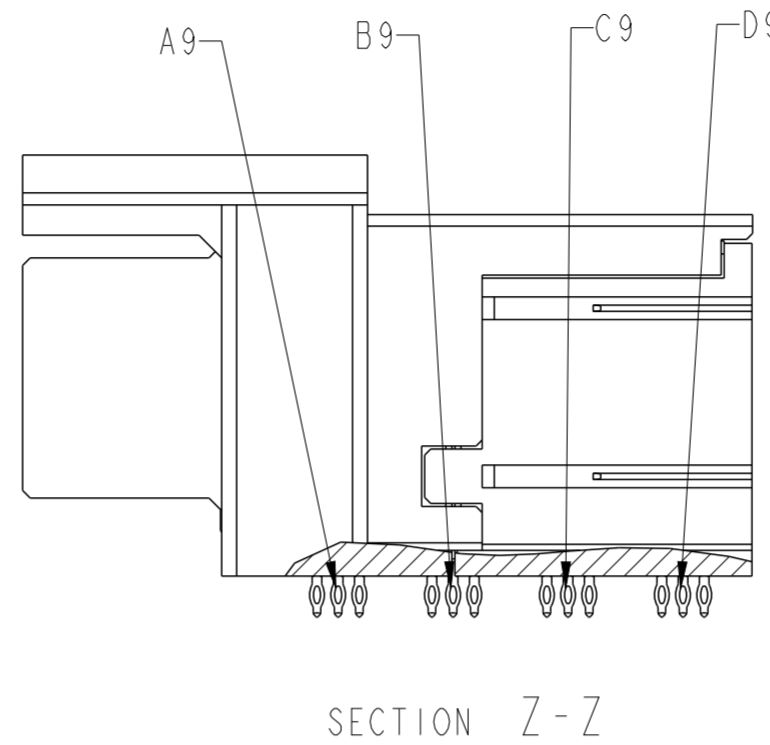
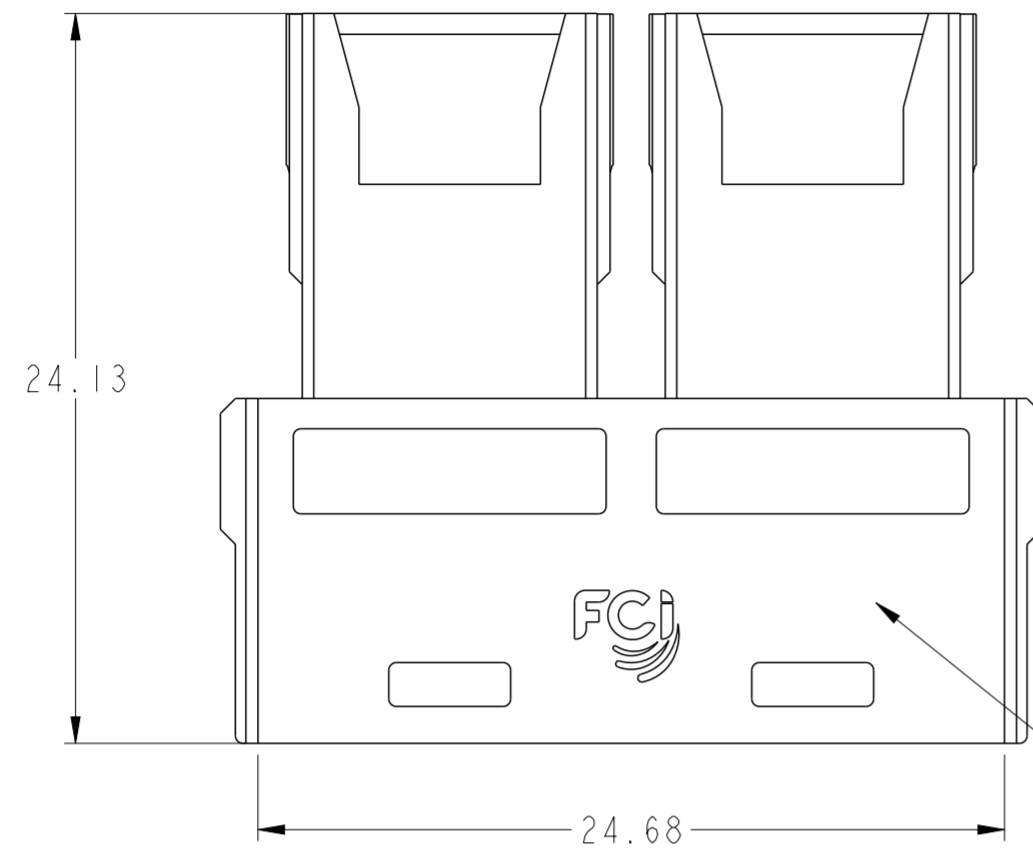


PRODUCT NUMBER	PLATING OPT.	HSG&FRAME COLOR
10112633-101	OPTION 1	BLACK
10112633-101LF	OPTION 2	BLACK
10112633-121	OPTION 1	NATURAL
10112633-121LF	OPTION 2	NATURAL



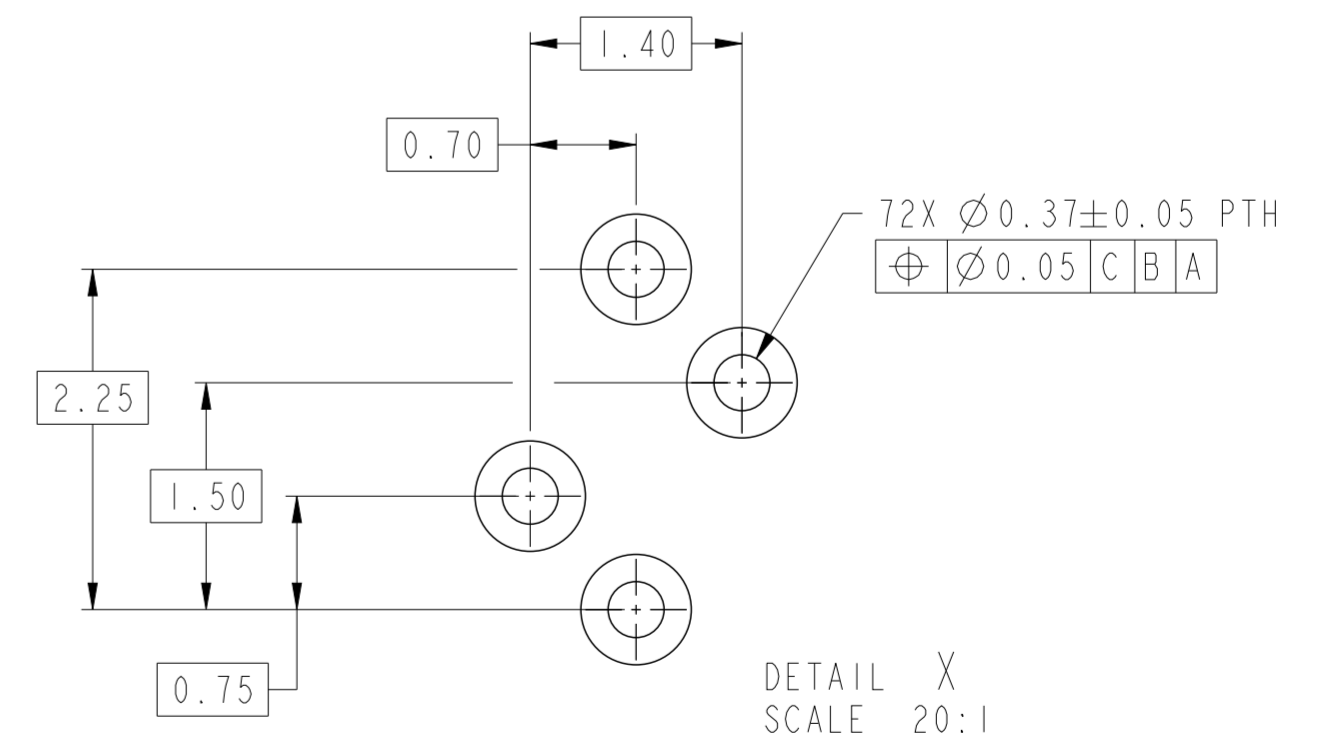
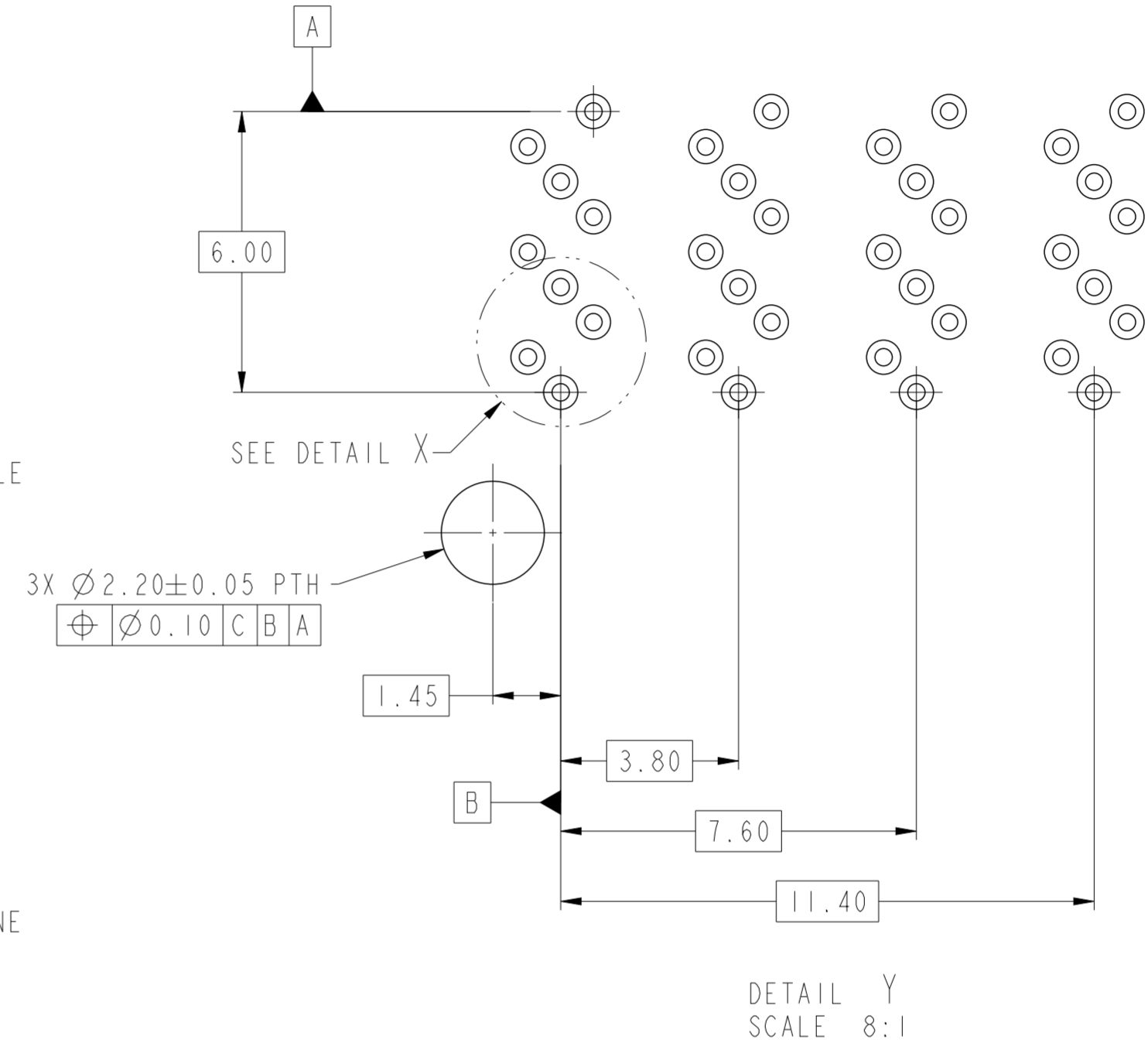
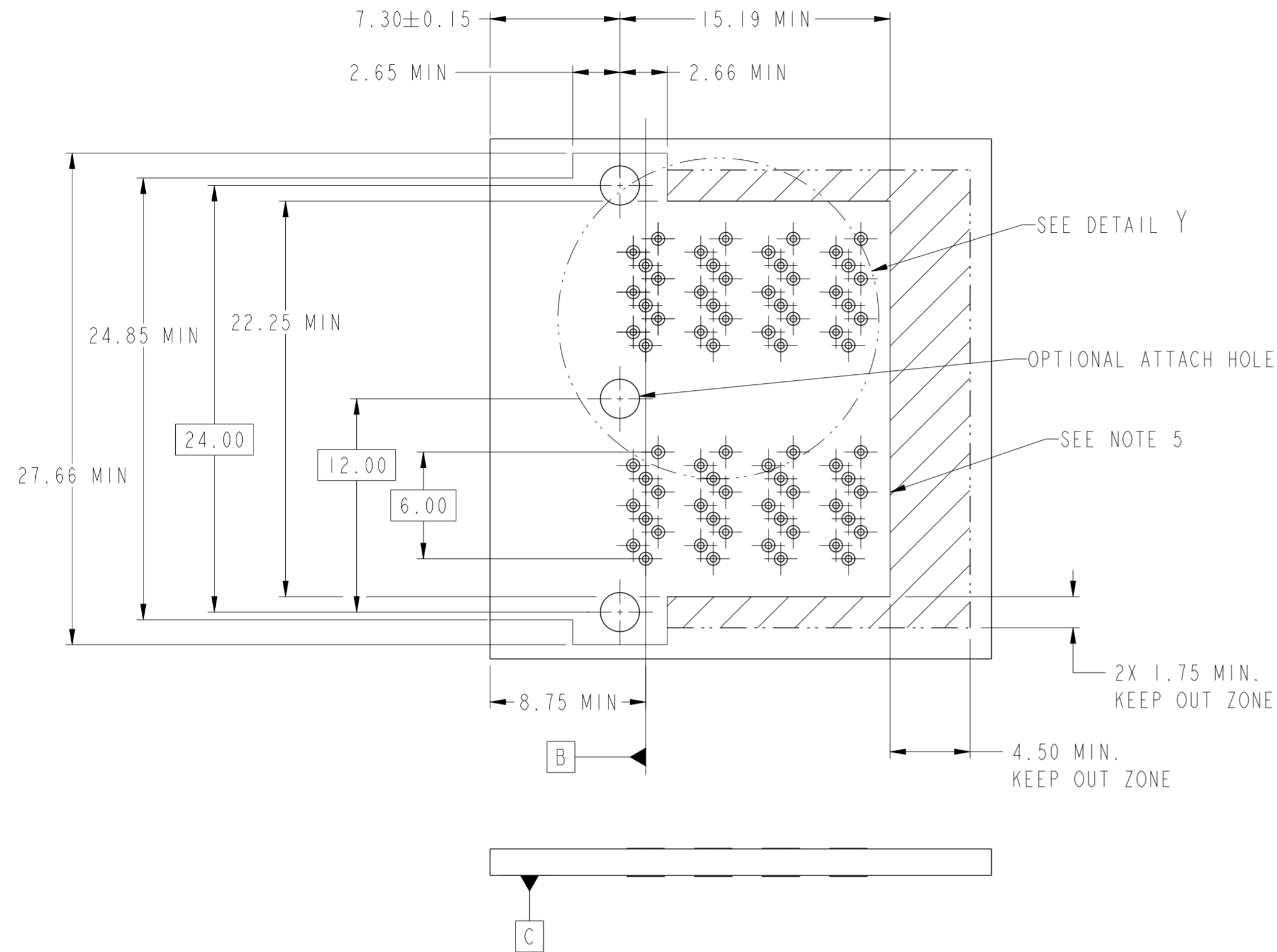
NOTES:

- MATERIALS:
CONNECTOR HOUSING: HIGH TEMPERATURE THERMOPLASTIC, GLASS FILLED, UL 94V-0
TERMINALS: COPPER ALLOY
- FINISHES:
CONTACT AREA: 0.76µm GOLD OVER 2.54µm MIN NICKEL
TAIL AREA:
OPTION 1: 0.76µm - 1.52µm TIN/LEAD (90/10) OVER 2.54µm MIN NICKEL.
OPTION 2: 0.76µm - 1.52µm TIN (LEAD FREE) OVER 2.54µm MIN NICKEL.
- PRODUCT SPECIFICATION: GS-12-650.
APPLICATION SPECIFICATION: GS-20-0356
PACKAGING SPECIFICATION: GS-14-1490
- RECOMMENDED MOUNTING HARDWARE:
OPTION 1: M2 X 0.91mm SELF-THREADING SCREW
OPTION 2: M2 X 0.80mm SELF-THREADING SCREW
OPTION 3: M2 X 0.40mm SELF-THREADING SCREW
RECOMMENDED MOUNTING SCREW LENGTH: PCB THICKNESS + (2.5±0.35)mm
- THIS CONNECTOR IS DESIGNED TO MEET THE REQUIREMENTS OF INDUSTRY SPECIFICATION SFF-8643.
- A \triangle SYMBOL WILL BE NEXT TO ANY DIMENSION, VIEW, OR NOTE THAT HAS BEEN MODIFIED WITH THE CURRENT DRAWING REVISION.

MATES WITH MINI-SAS HD ENDS IN:
10119217 SERIES (4i)
10119312 SERIES (4i)
10120086 SERIES (4i)
10120087 SERIES (4i)
10119576 SERIES (8i)
10119577 SERIES (8i)
10120088 SERIES (8i)
10120089 SERIES (8i)

spec ref	-	dr	Mark Gray	2010/08/04	projection	MM	size	A2	scale	4:1
tolerance std	ASME Y14.5	eng	Jackbin Zou	2015/12/09			ecn no	ELX-DG-17937-1		
		chr	Zhen Luo	2015/12/22				rel level	Released	
surface	✓	appr	Pei-Ming Zheng	2015/12/23	product family	MINI-SAS HD	rel level	Released		
ASME Y14.5	linear	0.X	±0.25		IX2 INTERNAL ASSEMBLY MINI-SAS HD	cat. no.	Product - Customer Drw	sheet 1 of 4	rev C	
	angular	0°	±1/2°							

RECOMMENDED PC BOARD LAYOUT

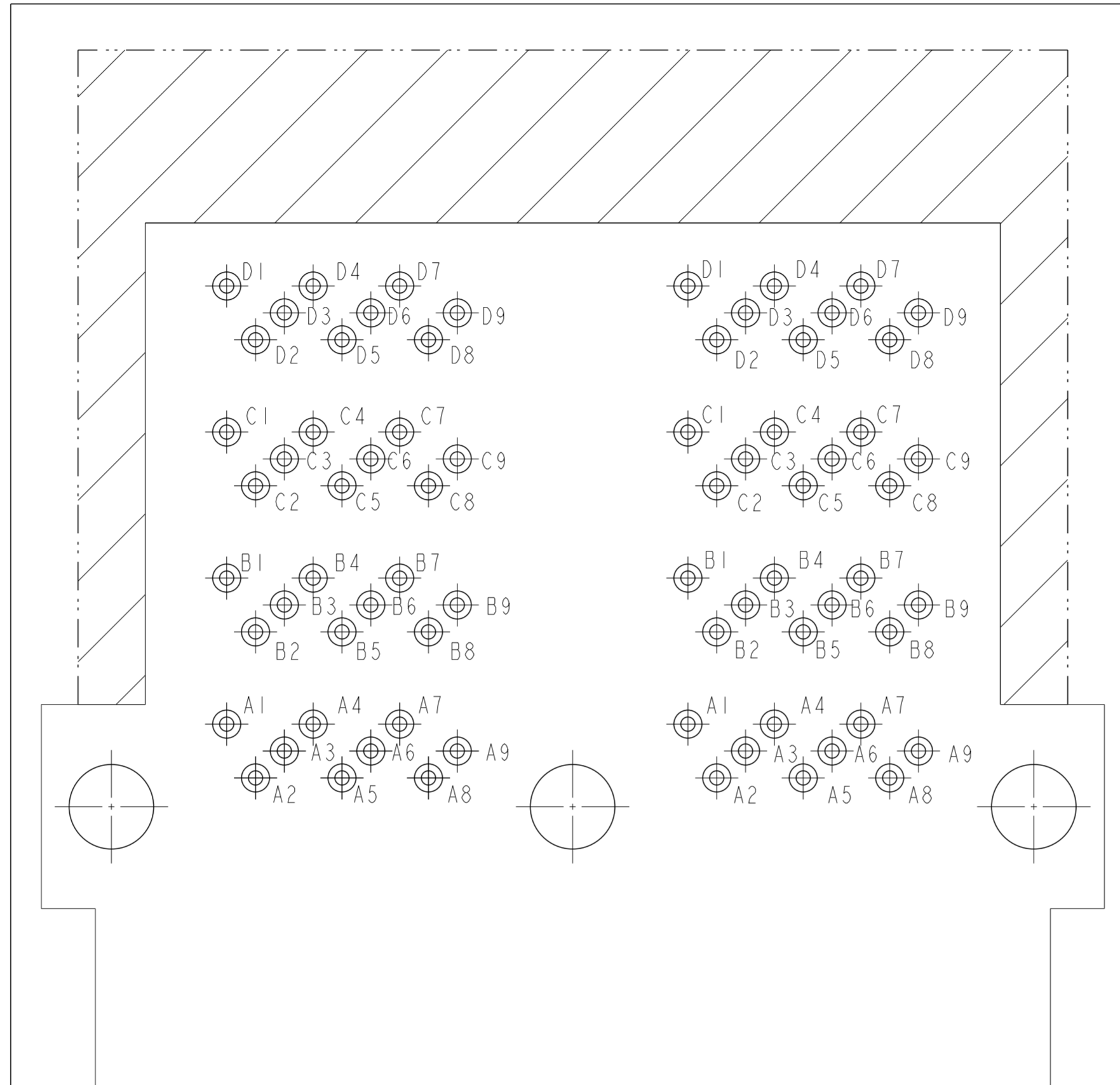


NOTES:

1. RECOMMENDED DRILL SIZE FOR A Ø0.37 FINISHED PTH IS Ø0.457 (#77 DRILL).
2. RECOMMENDED ANNULAR RING AROUND Ø0.37 FINISHED PTH IS Ø0.73.
3. MINIMUM RECOMMENDED SPACING : 14.00mm.
4. MINIMUM PCB THICKNESS : 1.57mm.
5. CONNECTOR KEEP OUT AREA.

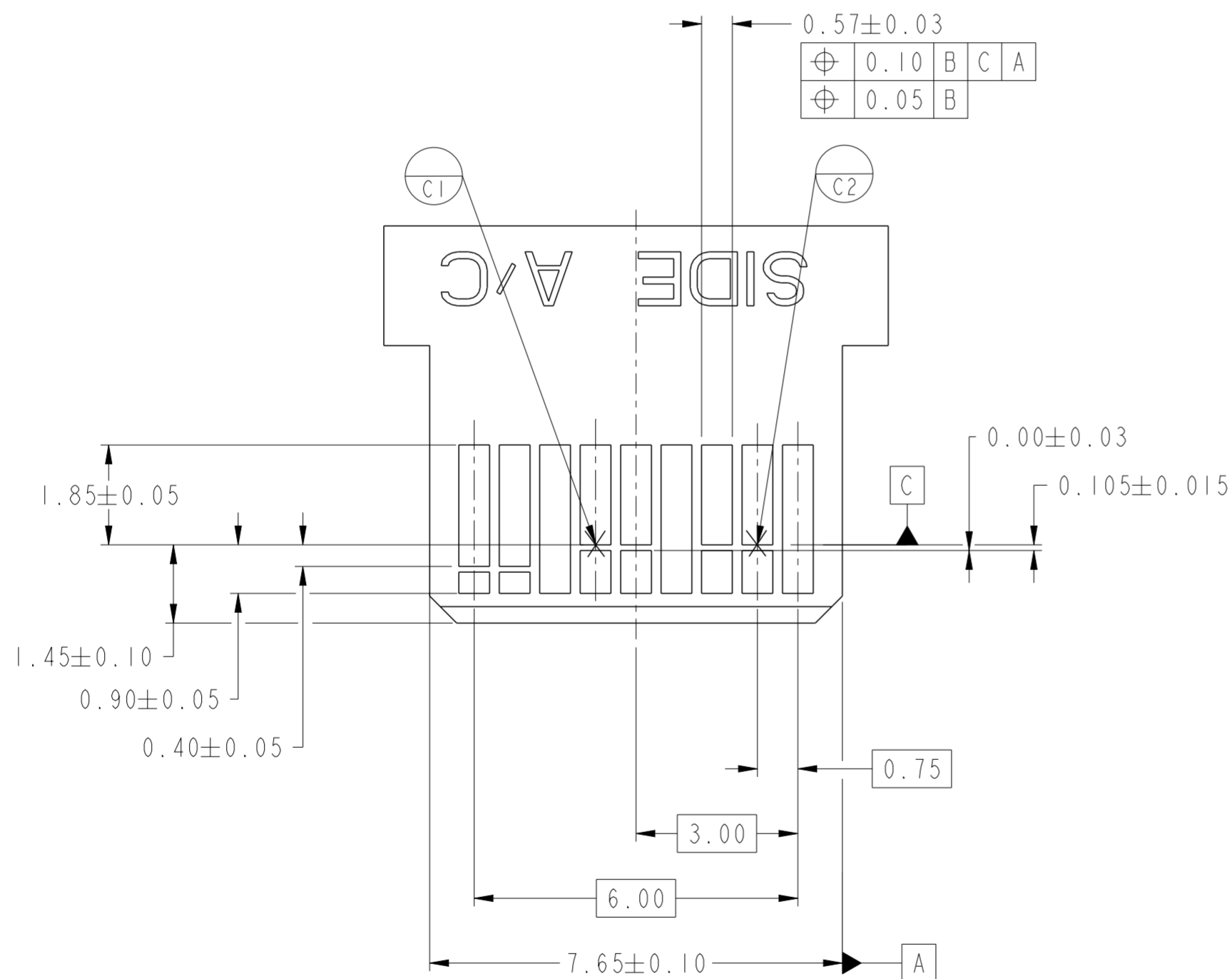
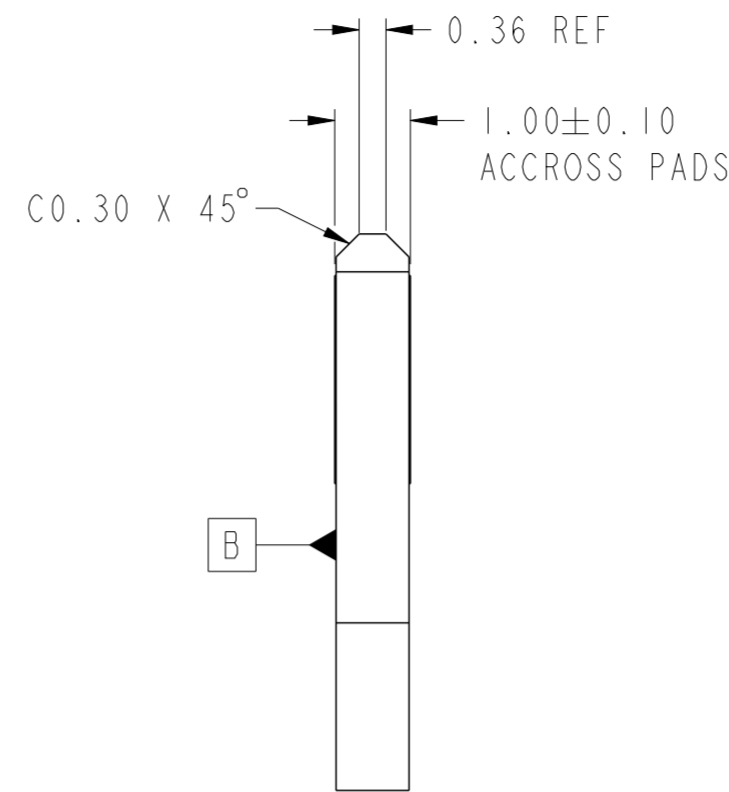
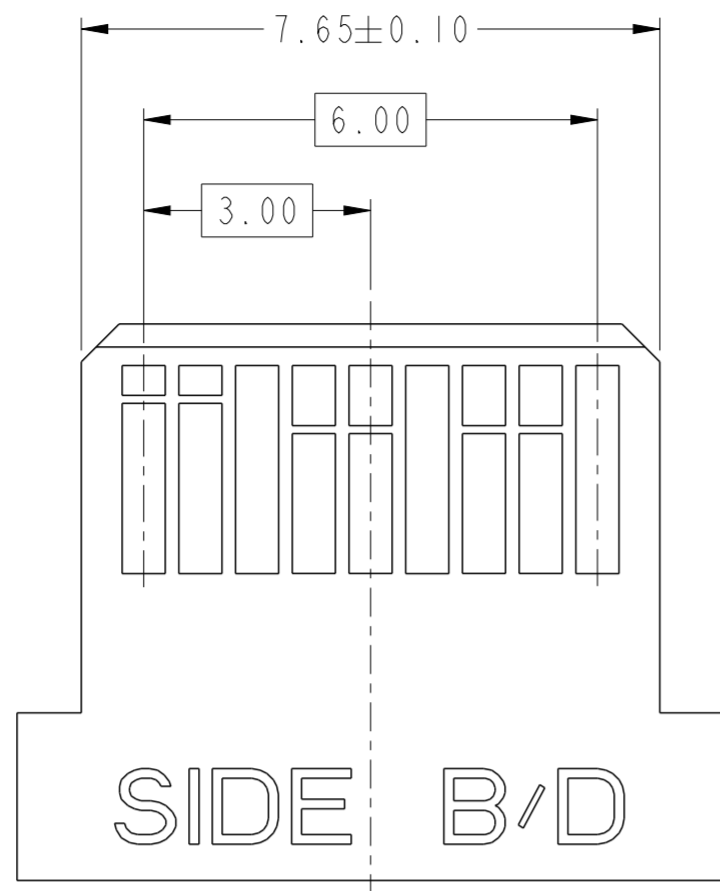
spec ref	-	dr	Mark Gray	2010/08/04	projection	MM	size	A2	scale	2:1	
tolerance std	ASME Y14.5	eng	Jacklin Zou	2015/12/09			ecn no	ELX-DG-17937-1			
TOLERANCES UNLESS OTHERWISE SPECIFIED		chr	Zhen Luo	2015/12/22			rel level	Released			
		appr	Pei-Ming Zheng	2015/12/23			product family	MINI-SAS HD			
surface	✓	linear	0.X	±0.25		TITLE IX2 INTERNAL ASSEMBLY MINI-SAS HD	dwg no 10112633	rev C	Product - Customer Drw		
		angular	0°	±1/2°					sheet 2 of 4		
ASME Y14.5		www.fci.com		cat. no.							

PIN OUT DESIGNATIONS



spec ref	-	dr	Mark Gray	2010/08/04	projection	MM	size	A2	scale	2:1									
tolerance std	ASME Y14.5	eng	Jacklin Zou	2015/12/09			ecn no	ELX-DG-17937-1	rel level	Released									
TOLERANCES UNLESS OTHERWISE SPECIFIED		chr	Zhen Luo	2015/12/22															
		appr	Pei-Ming Zheng	2015/12/23															
surface	<table border="1"> <tr> <td>linear</td> <td>0.X</td> <td>±0.25</td> </tr> <tr> <td></td> <td>0.XX</td> <td>±0.15</td> </tr> <tr> <td></td> <td>0.XXX</td> <td>±-</td> </tr> <tr> <td>angular</td> <td>0°</td> <td>±1/2°</td> </tr> </table>	linear	0.X	±0.25		0.XX	±0.15		0.XXX	±-	angular	0°	±1/2°			title IX2 INTERNAL ASSEMBLY MINI-SAS HD		dwg no 10112633	rev C
linear	0.X	±0.25																	
	0.XX	±0.15																	
	0.XXX	±-																	
angular	0°	±1/2°																	
ASME Y14.5		www.fci.com	cat. no.	-	Product - Customer Drw	sheet 3 of 4													





NOTES:

- 0.05 MINIMUM KEEP OUT SOLDER MASK AROUND ALL PADS.
- DATUM C TARGETS ARE DEFINED BY THE RESPECTIVE PAD CENTER LINES AND THE LEADING EDGE OF THE TARGET PADS.

spec ref	-	dr	Mark Gray	2010/08/04	projection	MM	size	A2	scale	2:1
tolerance std	ASME Y14.5	eng	Jackbin Zou	2015/12/09			ecn no	ELX-DG-17937-1	rel level	Released
TOLERANCES UNLESS OTHERWISE SPECIFIED		chr	Zhen Luo	2015/12/22						
		appr	Pei-Ming Zheng	2015/12/23						
surface	✓	linear	0.X	±0.25	product family		MINI-SAS HD	rel level	Released	
			0.XX	±0.15	title		IX2 INTERNAL ASSEMBLY	dwg no	10112633	rev
			0.XXX	±	www.fci.com		cat. no.	-	Product - Customer Drw	sheet 4 of 4
		angular	0°	±1/2°	PDS: Rev :C		STATUS:Released		Printed: Dec 23, 2015	



Copyright FCI.