



Home	Products	Solutions	Aavid Design	Tools & Docs	Contact
------	----------	-----------	--------------	--------------	---------

» [Board Level Products](#)

1130BG

TO-5



Thermal link with BeO insulator

Height: 11.43

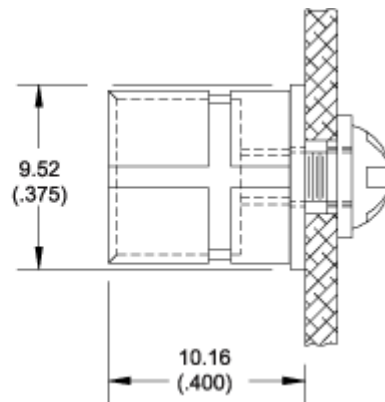
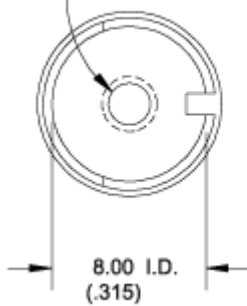
Mount Orientation: Vertical

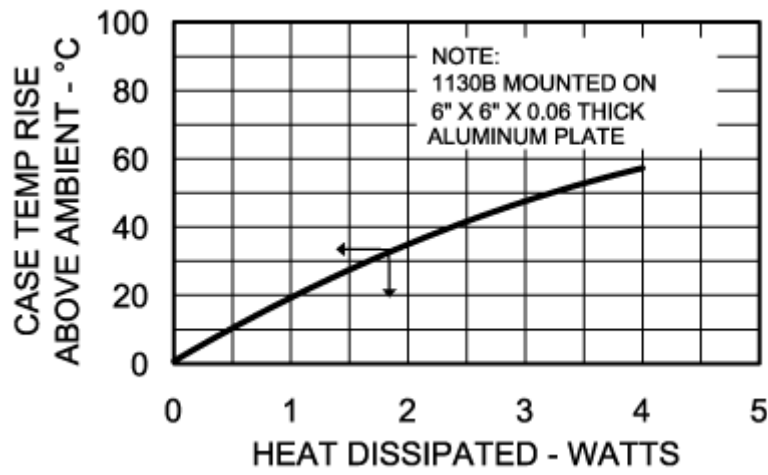
Finish: Black Anodize

RoHS: compliant

Thermal Resistance: 15.00

4-40UNC-2B TAP THRU





[View](#) [Log](#)

Customer Assistance

[Contact Us](#)
[Get Design Assistance](#)
[Find a Distributor](#)
[Find a Sales Rep](#)
[Request a Quote](#)
[Placing an Order](#)
[Terms and Conditions](#)
[Returns](#)

Popular Products

[Extrusions](#)
[Board Level](#)
[Liquid Cooling](#)
[Heat Pipe Technology](#)
[Heat Sink Accessories](#)
[Interface Materials](#)

Our Company

[About Aavid](#)
[News and Events](#)
[Management Team](#)
[Worldwide Locations](#)
[Directions to Headquarters](#)
[Disclaimer](#)
[Customer Survey](#)
[Privacy Policy](#)

Aavid will lead the electronics thermal management industry worldwide. We will be the first company customers call to enable their thermal designs and will provide them with timely and cost-effective solutions because we understand their needs, their industry, and their c