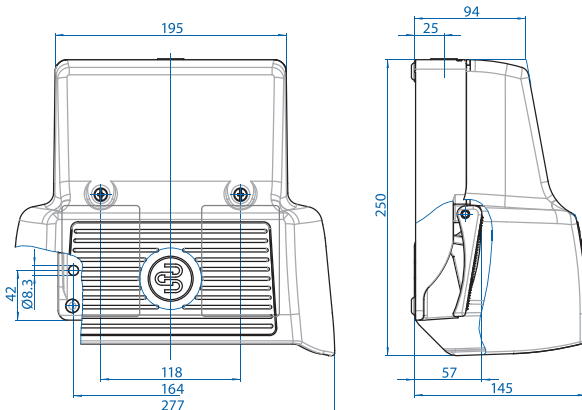


Double Pedal with Cover

STANDARD



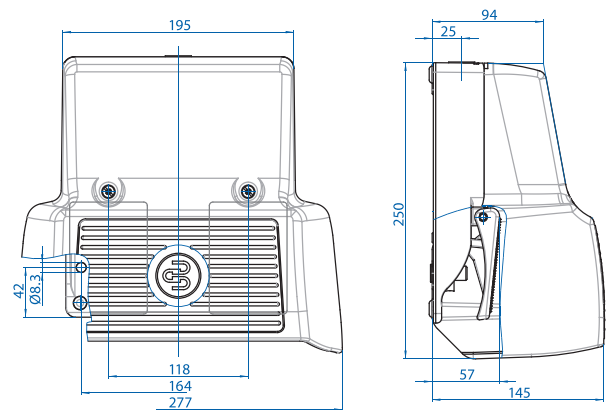
Standard OFF-ON Operation-
Push pedal to change contact state. Release pedal to return to original state.



TWO STAGE OPERATION



Two Stage Operation-
Press Pedal to change the state of the first set of contacts. Continue to press further to change the second set of contacts.



Two pedal foot switch F2

| Article number | Designation | Switching contacts | Special feature |
|-----------------------------|-----------------|--------------------|---------------------------|
| Snap-action contact: | | | |
| | | Pedal 1 (left) | Pedal 2 (right) |
| 606.2830.022 | F2-SU1Z/SU1Z UN | 1NC / 1NO | 1NC / 1NO Prot. shroud UN |
| 606.2940.066 | F2-SU2Z/SU2Z UN | 2NC / 2NO | 2NC / 2NO Prot. shroud UN |
| Slow-action contact: | | | |
| | | Pedal 1 (left) | Pedal 2 (right) |
| 606.2610.014 | F2-U1Z/U1Z UN | 1NC / 1NO | 1NC / 1NO Prot. shroud UN |
| 606.2720.016 | F2-U2Z/U2Z UN | 2NC / 2NO | 2NC / 2NO Prot. shroud UN |

Two pedal foot switch F2

| Article number | Designation | Switching contacts | Two Stage Operation |
|-----------------------------|-------------------|--------------------|-----------------------------|
| Snap-action contact: | | | |
| | | Pedal 1 (left) | Pedal 2 (right) |
| 616.2000.418 | F2-SU1Z/SU2ZD UN | 1NC / 1NO | 2NC / 2NO (Pedal 2) |
| 606.2830.417 | F2-SU1ZD/SU1ZD UN | 1NC / 1NO | 1NC / 1NO (Pedal1+Pedal.2) |
| 616.2000.503 | F2-SU4ZD/SU4ZD UN | 4NC / 4NO | 4NC / 4NO (Pedal 1+Pedal 2) |
| Slow-action contact: | | | |
| 616.2610.253 | F2-U1ZD/U1Z UN | 1NC / 1NO | 1NC / 1NO (Pedal 1) |
| 606.2620.086 | F2-U1Z/U2ZD UN | 1NC / 1NO | 2NC / 2NO (Pedal 2) |
| 606.2720.020 | F2-U2ZD/U2ZD UN | 2NC / 2NO | 2NC / 2NO (Pedal 1+Pedal 2) |
| 606.2710.376 | F2-U2ZD/U1Z UN | 2NC / 2NO | 1NC / 1NO (Pedal 1) |

Drawing dimensions in mm