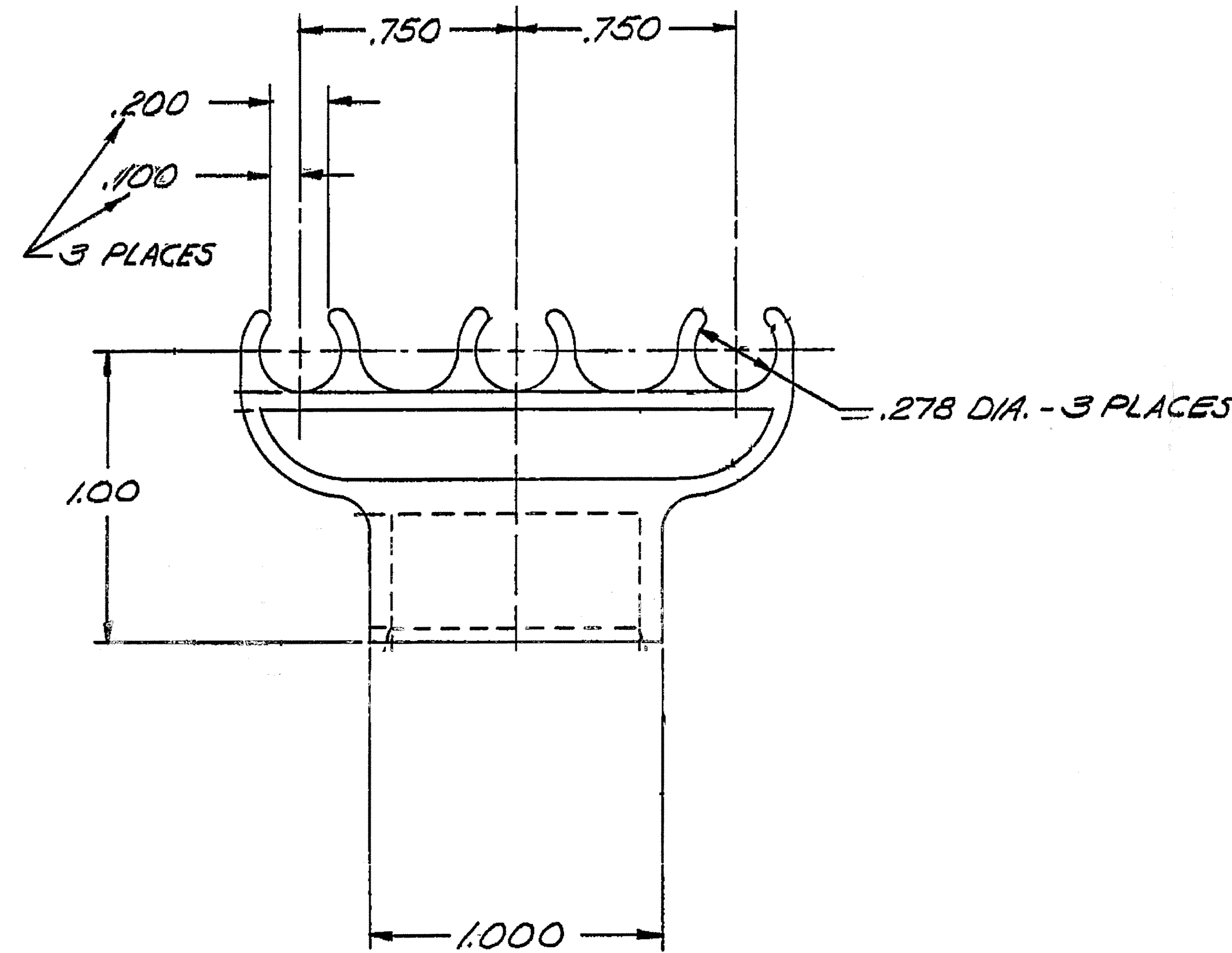
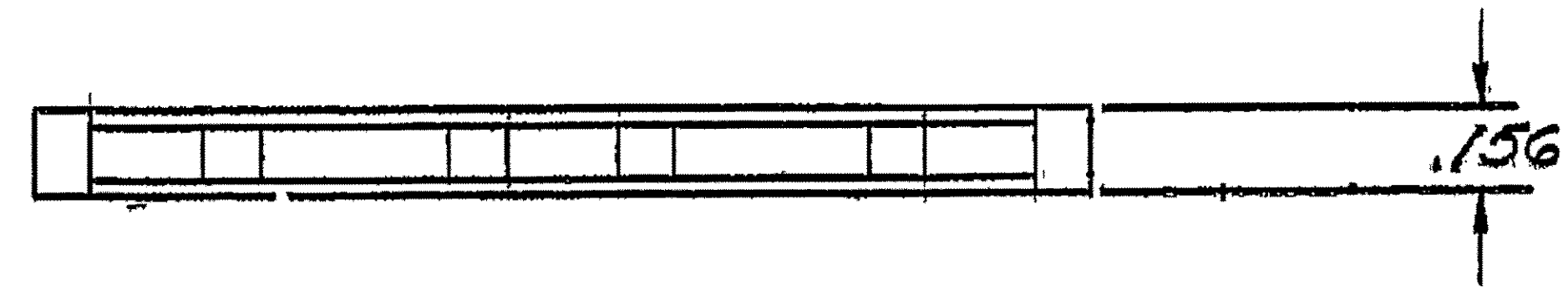


DWG STATUS					ZONE	REVISION HISTORY	AUTH	DR	APVD 1	APVD 2
DATE	STG	REV	N/P	CHG						
13FE74	R	-	-	-	-	MAT'L WAS "61354-R (BLK)"	51688	-	-	-
27AU75	R	-	-	-	-	QC-C-4004 ADDED.	57004	-	-	-
04MY05	R	02	-	-	-	MAT'L SPEC. WAS R0067550 ADDED DELPHI LOGO & RECYCLING NOTES.	267592	AMR	MVS	ET



NOTES

- UNLESS OTHERWISE SPECIFIED AND/OR INDICATED:
DIMENSIONS ARE TO FACE OF VIEW SHOWN.
ALL RADII 0.015
DRAFT IS 1° MAX ON ALL OUTSIDE SURFACES.
CAVITIES ARE IDENTICAL.
LOCKING FEATURES ARE IDENTICAL.
- MATERIAL RECYCLING CODE PER ISO 11469.(2.3) X (0.1) RAISED CHARACTERS AS SHOWN TO BE LOCATED ON ANY EXTERIOR SURFACE. OPTIONAL CONSTRUCTION TO BE NO MATERIAL RECYCLING CODE.
- THIS PART IS NOT CONTROLLED FOR AUTOMATIC FEEDING
- 12.3 X 0.11 RAISED DELPHI CORPORATE BRAND TO BE LOCATED ON ANY EXTERIOR SURFACE.PREFERABLY VISIBLE AT FINAL ASSEMBLY. OPTIONAL CONSTRUCTION TO BE "PED" OR NO LOGO.

DWG TYPE		PART DRAWING	
STYLE			
VOLUME (CM ³)	DISTR CODE		
	D		
UNLESS OTHERWISE SPECIFIED			
THIS DOCUMENT IS IN ACCORDANCE WITH ASME Y14.5M-1994 AS AMENDED BY THE GM GLOBAL DIMENSIONING AND TOLERANCING ADDENDUM - 1997. ALL GEOMETRIC TOLERANCES AND RELATED DATUMS APPLY RFS. RULE #1(PERFECT FORM AT MMC) DOES NOT APPLY WHEN RELATIONSHIP BETWEEN FEATURES IS ESTABLISHED BY ORIENTATION OR LOCATION TOLERANCES. SEPARATE POSITION CALLOUTS MAY BE GAGED SEPARATELY, REGARDLESS OF DATUM REFERENCE. ALL DIMENSIONS ARE IN INCHES			
REFERENCE			
THIRD ANGLE PROJECTION	DO NOT SCALE	UNIGRAPHICS	
USE MATH DATA			

DELPHI			
DELPHI PACKARD ELECTRIC SYSTEMS WARREN, OH			
DR L SUVERISON		DATE 23MY61	
APVD1		24MY61	
APVD2			
APVD3			
APVD4			
APVD5			
SUBSTANCES OF CONCERN AND RECYCLED CONTENT PER DELPHI 10949001			
MATERIAL M2097001 PP IM BLK			
DRAWING NAME RETAINER (SPARK PLUG)			
DRAWING NUMBER 1352299			
SIZE A2	SCALE N/A	FRAME NO 1 OF 1	SHEET NO 1 OF 1
STG R	REV 02	N/P -	

TOLERANCE UNLESS OTHERWISE SPECIFIED:
DECIMAL 2 ANGULAR ±2°
TWO PLACE ±0.01
THREE PLACE ±0.005