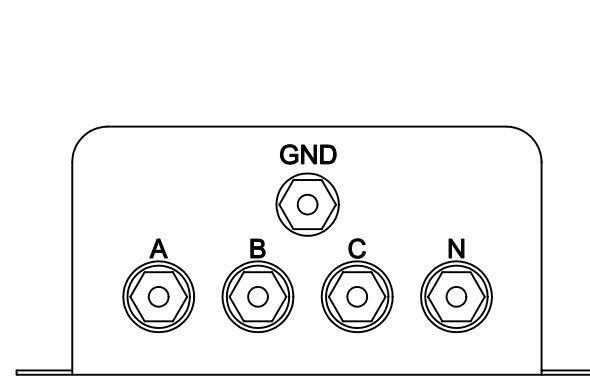
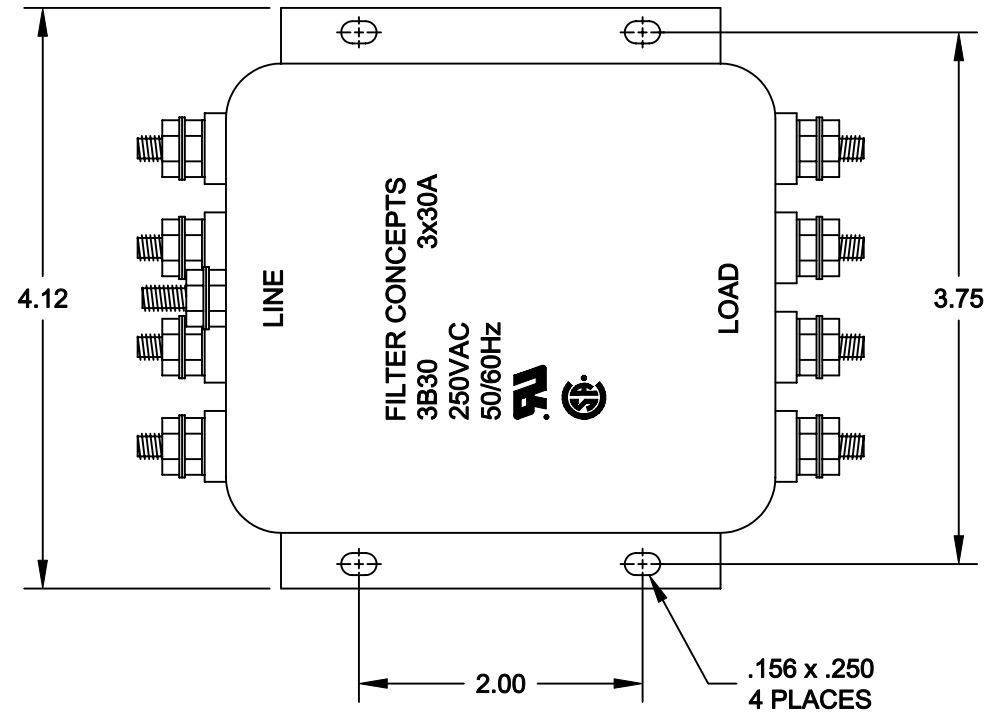


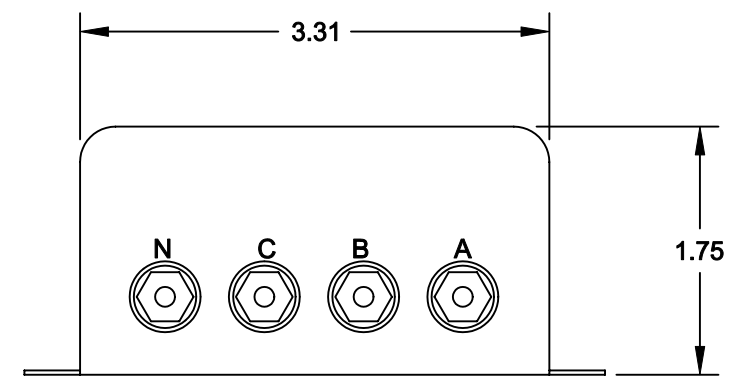
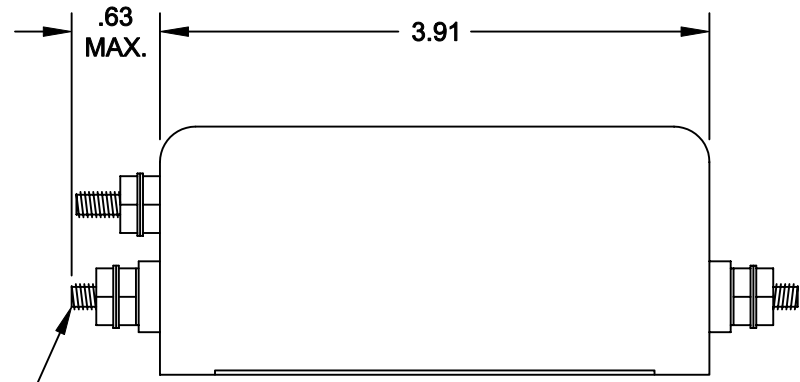
# SPECIFICATIONS

1. CASE:  
22 GA. (.030) CRS, TIN PLATED
2. RATED CURRENT:  
3 x 30A
3. RATED VOLTAGE:  
250VAC, 50/60Hz
4. TEST VOLTAGE:  
LINE TO NEUTRAL: 2.2KVDC  
LINE TO GROUND: 2.2KVDC
5. LEAKAGE CURRENT:  
1.4mA @ 250VAC, 50Hz

REVISION			
LTR	DESCRIPTION	DATE	APPROVED
A	INITIAL RELEASE	03-01-91	GD



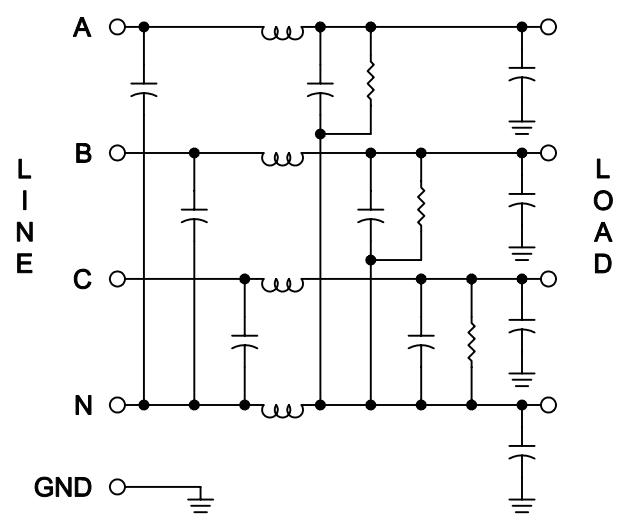
#8-32 TERMINAL STUD  
9 PLACES



## INSERTION LOSS (50Ω TYPICAL)

	.05 MHz	.15 MHz	.50 MHz	1.5 MHz	5.0 MHz	20 MHz
L/N	12 db	20 db	40 db	60 db	50 db	50 db
L/G	4 db	18 db	38 db	44 db	50 db	50 db

## SCHEMATIC



UNLESS OTHERWISE SPECIFIED DIMENSIONS ARE INCHES TOLERANCES ARE: FRACTIONS DECIMALS ANGLES ± .XX ±.030 ± .XXX ±.010	CONTRACT NO.	
	APPROVALS	DATE
	DRAWN MG	03-01-91
	CHECKED	
MATERIAL		
FINISH		
NEXT ASSY	USED ON	
APPLICATION		

<b>FILTER CONCEPTS INC.</b>		
<b>APPLICATION DRAWING</b>		
<b>3B30 FILTER</b>		
SIZE <b>B</b>	CODE IDENT NO.	DRAWING NO. <b>7151</b>
SCALE 3/4		SHEET 1 OF 1