

REV	DOCUMENT	CHANGED BY	CHECK
3	0033379	PRS 04SEP07	CMH

SERIES
UNAMPLIFIED
COMPENSATED AND
CALIBRATED (mV)

ACCURACY GRADE
C - COMMERCIAL (1.0%)
H - HIGH GRADE (0.50%)

PRESSURE RANGE Δ
05, 15, 30, 60
100 PSIA

PACKAGE TYPE
N - PLASTIC

PRESSURE REFERENCE
A - ABSOLUTE

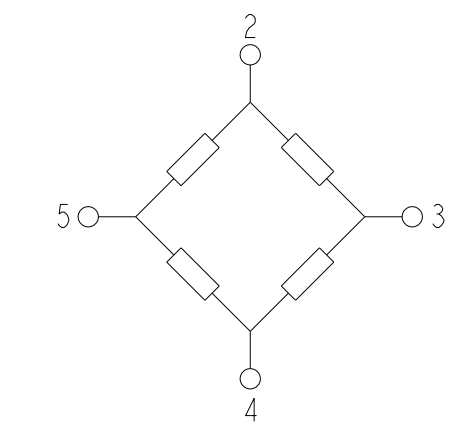
NOTES

1 ALL PARAMETERS ARE MEASURED AT 12 VDC EXCITATION. FOR ABSOLUTE DEVICES PRESSURE IS APPLIED TO PORT 1 SHIFT IS RELATIVE TO 25°C

2 LINEARITY IS DETERMINED USING BEST STRAIGHT LINE FIT THROUGH ZERO, 1/2 FULL SCALE, AND FULL SCALE; HYSTERESIS IS MECHANICAL ONLY

4 - SPAN IS THE ALGEBRAIC DIFFERENCE BETWEEN OFFSET VOLTAGE AND THE VOLTAGE AT FULL SCALE PRESSURE

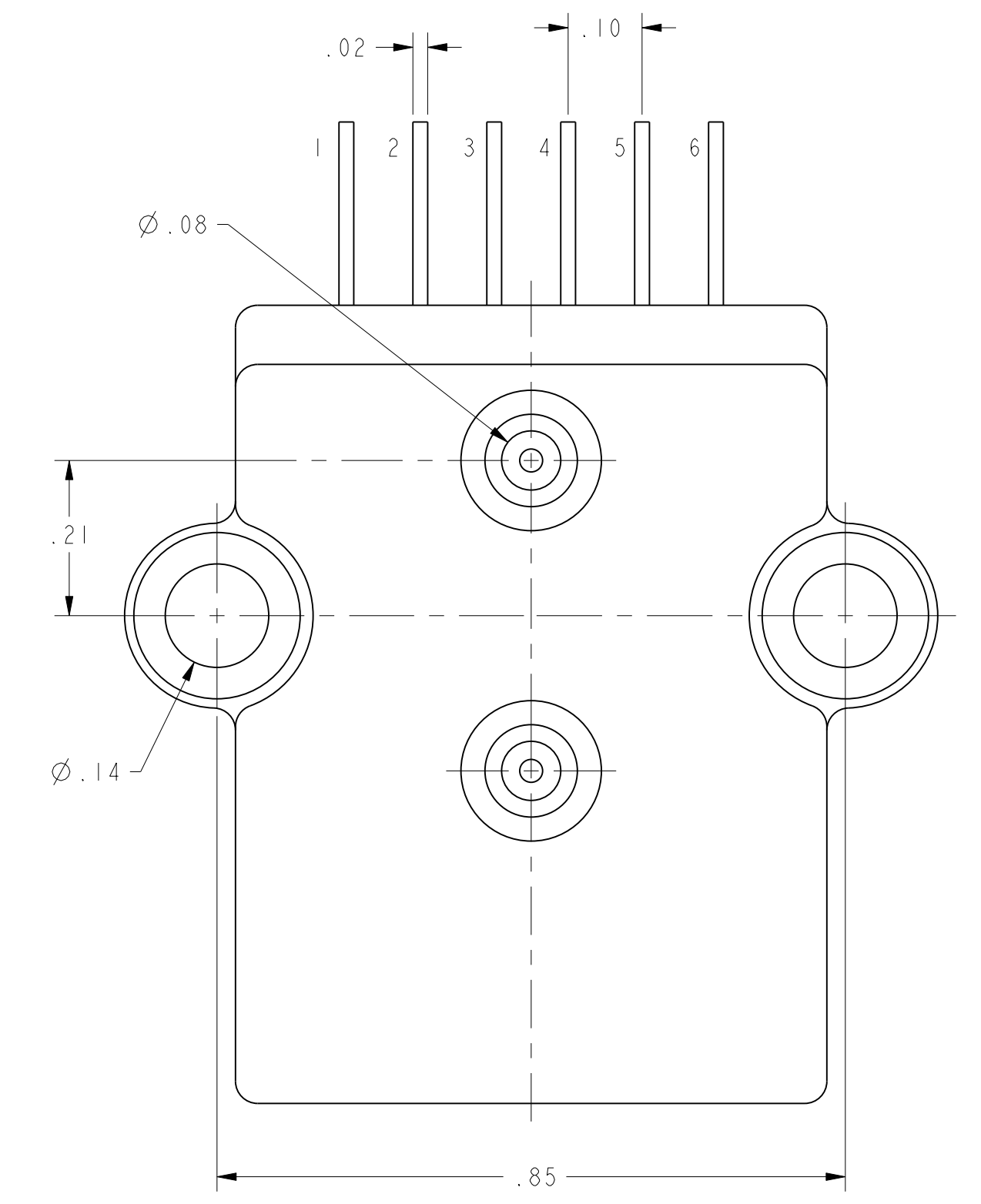
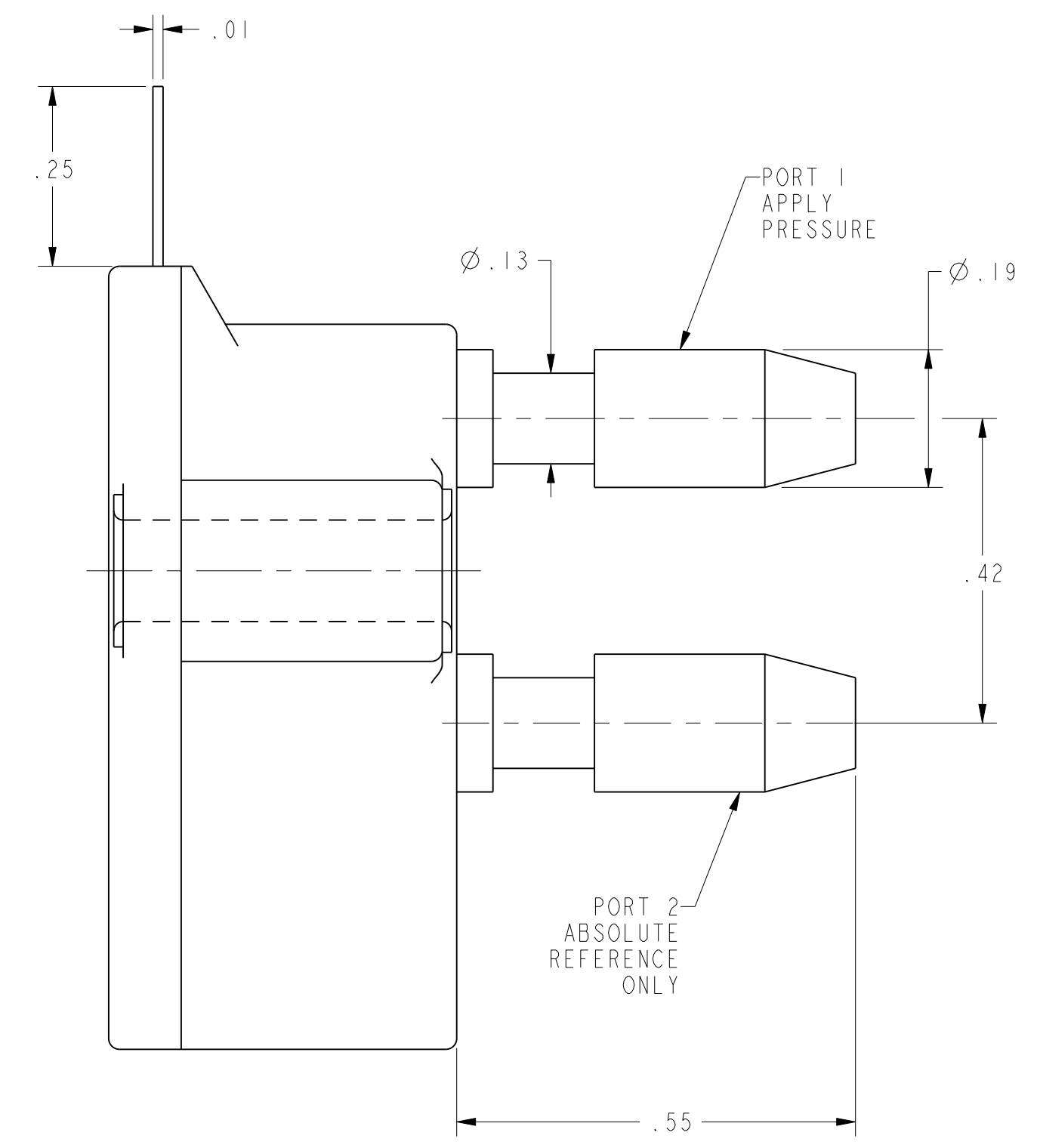
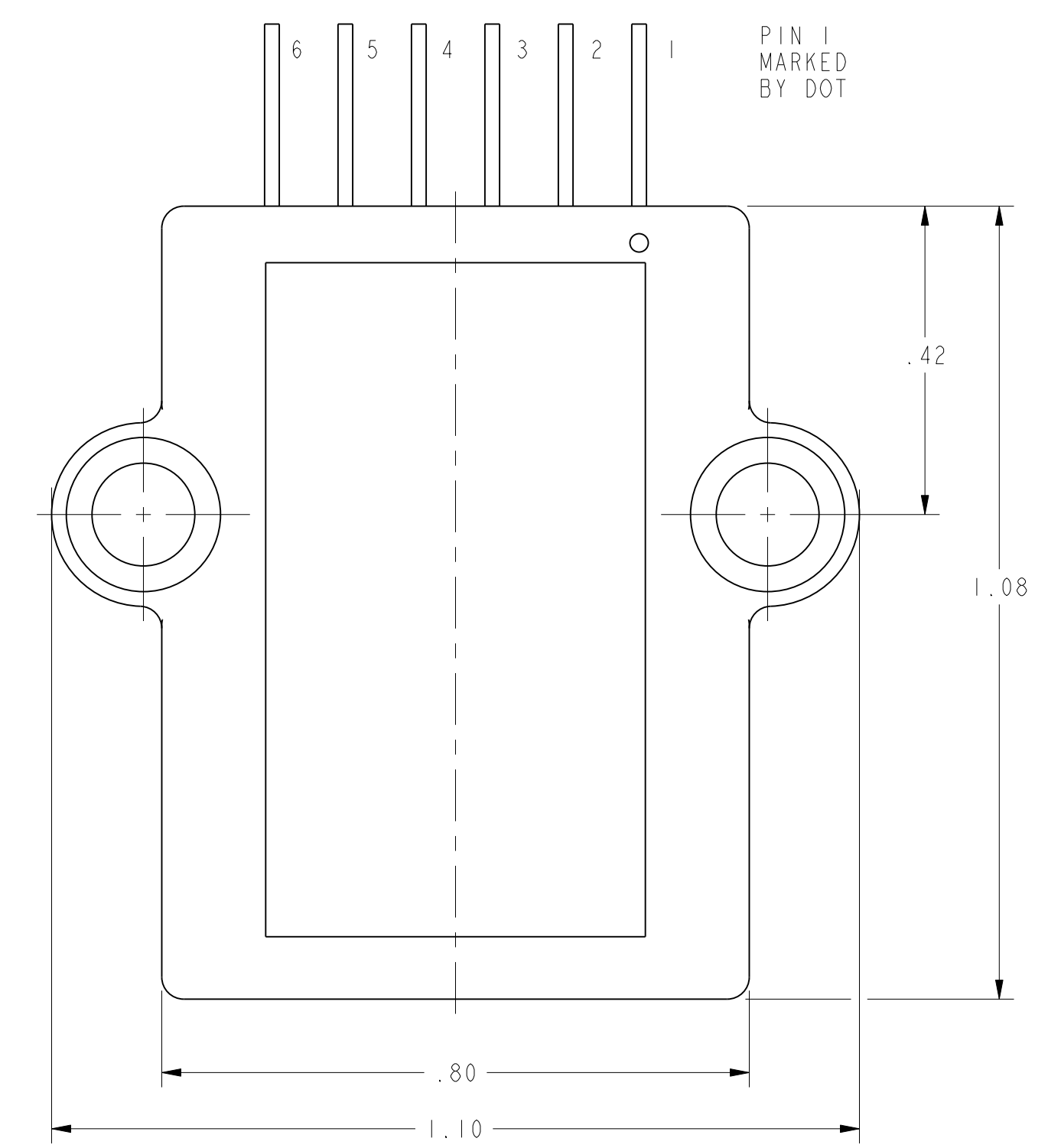
Δ PRESSURE RANGE DEPICTS THE FULL SCALE PRESSURE OF THE SENSOR



EQUIVALENT CIRCUIT

PIN OUT	
1	N/C
2	+V EXCITATION
3	+ OUTPUT SIGNAL
4	-V EXCITATION
5	- OUTPUT SIGNAL
6	N/C

C - GRADE LISTINGS	
XCX05ANC	
XCX15ANC	
XCX30ANC	
	③
	③
	③
H - GRADE LISTINGS	
XCX05ANH	
XCX15ANH	
XCX30ANH	



PARAMETERS Δ	PRESSURE RANGE	C GRADE				H GRADE				OVER PRESSURE
		MIN	NOM	MAX	UNITS	MIN	NOM	MAX	UNITS	
OFFSET VOLTAGE (0 PSIA)	ALL	-1.0	0.0	1.0	mV	---	---	---		
SPAN (P1>P2) (P2 IS REFERENCED AT 0 PSIA)	5 PSIA	57.0	60.0	63.0	mV	59.0	60.0	61.0	mV	15 PSIG
	15 PSIA	85.0	90.0	95.0	mV	89.0	90.0	91.0	mV	45 PSIG
	30 PSIA	85.0	90.0	95.0	mV	89.0	90.0	91.0	mV	90 PSIG
	60 PSIA	85.0	90.0	95.0	mV	---	---	---		180 PSIG
	100 PSIA	95.0	100.0	105.0	mV	---	---	---		200 PSIG
150 PSIA	85.0	90.0	95.0	mV	---	---	---			
COMBINED LINEARITY AND HYSTERESIS Δ	ALL	---	0.5	1.0	%SPAN	---	0.3	0.5	%SPAN	
INPUT RESISTANCE	ALL	---	15	---	K Ω	---	15	---	K Ω	
TEMPERATURE ERROR ON OFFSET (0° TO 70°C) Δ	ALL	---	---	1.0	mV	---	---	0.5	mV	
TEMPERATURE ERROR ON SPAN (0° TO 70°C) Δ	ALL	---	---	2.0	%SPAN	---	---	1.0	%SPAN	
REPEATABILITY	ALL	---	0.1	---	%SPAN	---	0.1	---	%SPAN	

EXCITATION VOLTAGE	ALL	3	12	16	VDC
COMPENSATED TEMPERATURE RANGE	ALL	0	25	70	°C
STORAGE TEMPERATURE RANGE	ALL	-40	---	125	°C
RELATIVE HUMIDITY (NON-CONDENSING)	ALL	0	---	95	%RH
SHOCK (DURATION 11 msec ANY AXIS)	ALL	---	---	10	g
COMMON MODE PRESSURE	ALL	---	---	50	PSIG

UNLESS OTHERWISE SPECIFIED TOLERANCES ARE:	<input checked="" type="checkbox"/> AS PER MIL-STD-20	<input type="checkbox"/> METRIC	DRAWN	TRF	07AUG00	
NO PLACE	X	±.040	±.1	CHECK	AK	07AUG00
ONE PLACE	.X	±.030	±0.4	THIS DRAWING COVERS A PROPRIETARY ITEM AND IS THE PROPERTY OF HONEYWELL. THIS DRAWING IS NOT TO BE COPIED OR USED WITHOUT THE PERMISSION OF HONEYWELL.		
TWO PLACE	.XX	±.015	±0.15			
THREE PLACE	.XXX	±.005	±			
ANGLES		±	±			
RAW MATERIAL - COMMERCIAL STANDARD				DIMENSIONS ARE TO BE MET BEFORE PROTECTIVE COATINGS ARE APPLIED		
THIRD ANGLE PROJECTION			PTC	3D	ASME Y14.5M-1994	
			SCALE	5:1	WEIGHT	SHEET 1 OF 1
			Honeywell TITLE PRESSURE SENSOR			
SIZE D DWG TYPE I DRAWING NAME XCX/ABS SERIES CHART 1 REV 3						