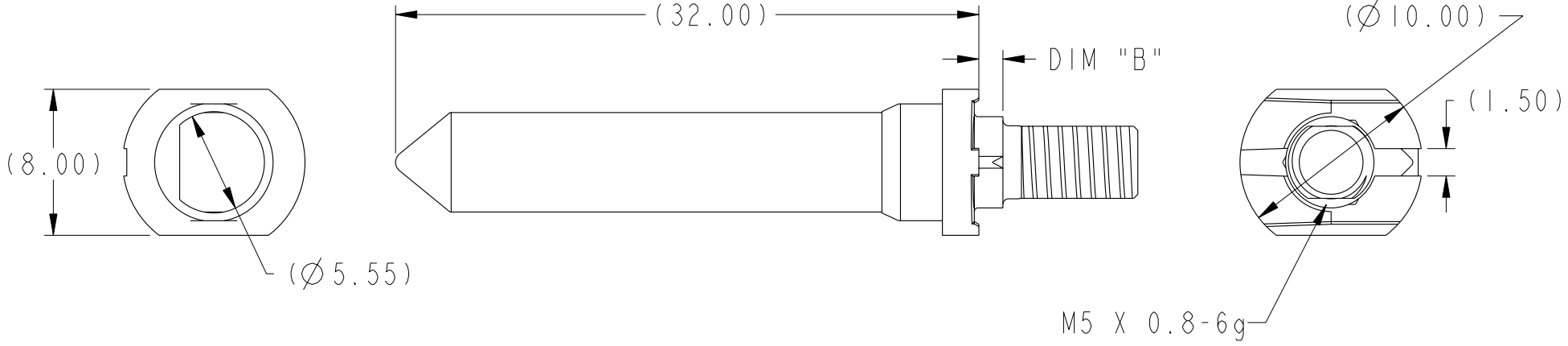
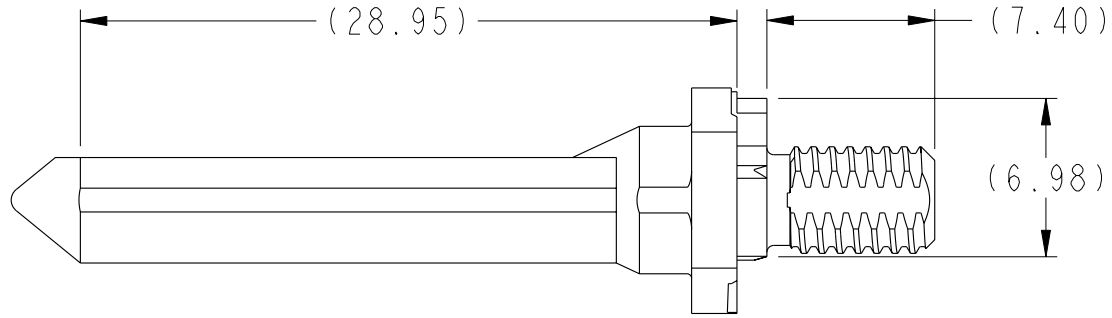


PRODUCT NUMBER
SEE TABLE, SHT 3

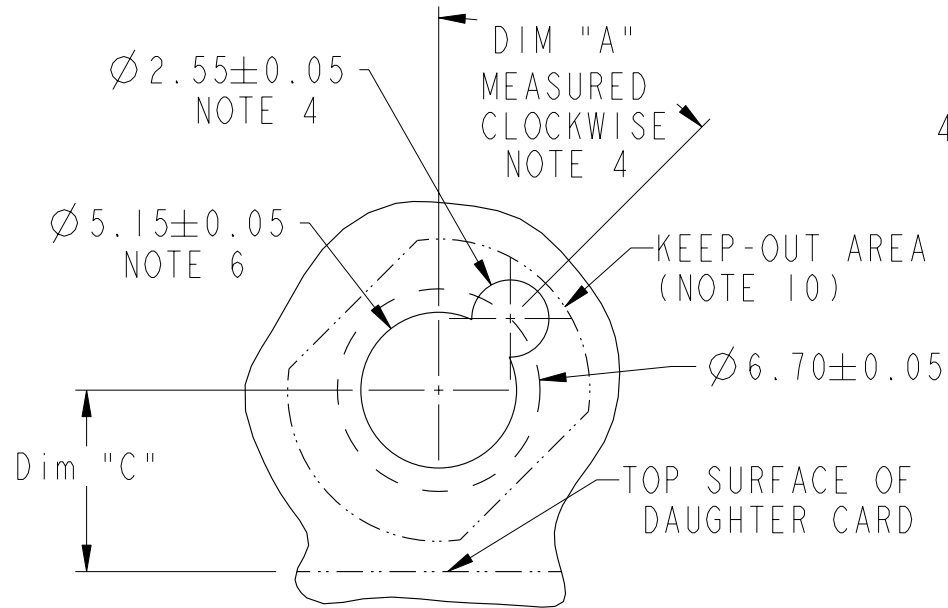


Copyright FCI.

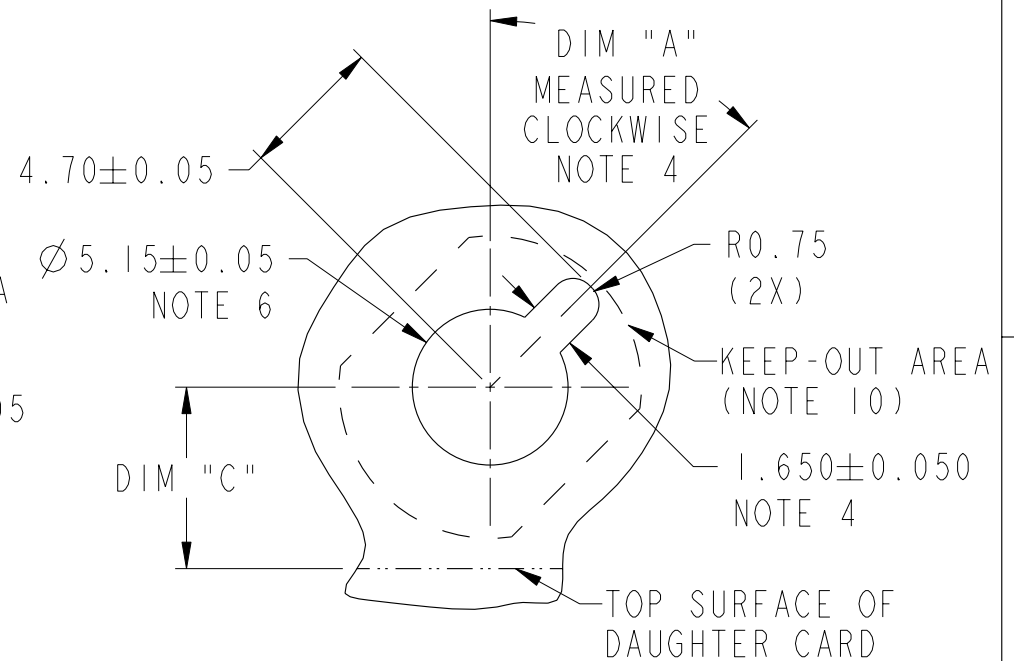
www.fciconnect.com		surface 3.200 ASME Y14.5	tolerance std ASME Y14.5	projection MM
		TOLERANCES UNLESS OTHERWISE SPECIFIED		
Dr	Y. K. LIM	2009-04-06	ANGULAR	0.X ±0.3
Eng	Y. K. LIM	2009-04-06	LINEAR	0.XX ±0.10
Chr	C. H. TAN	2009-04-06	0° ±2°	0.XXX ±0.050
Appr			Product family	AirMax Accessories
			Spec ref	-
FCI			title	10.8mm GUIDE PIN, EXT. THREAD
			dwg no	10098938
			Rev.	A
			catalog no	-
			CUSTOMER	sheet 1 of 4

rev	ecn no	dr	date
A	S09-0296	CH	2009-04-06
-	-	-	-
-	-	-	-
-	-	-	-
-	-	-	-
-	-	-	-

REV F - 2009-04-17



RECOMMENDED PCB LAYOUT (DRILLING)
 NOTES 4, 6, & 7
 SCALE 4:1



RECOMMENDED PCB LAYOUT (MILLING)
 NOTE 4, 6 & 7
 SCALE 4:1

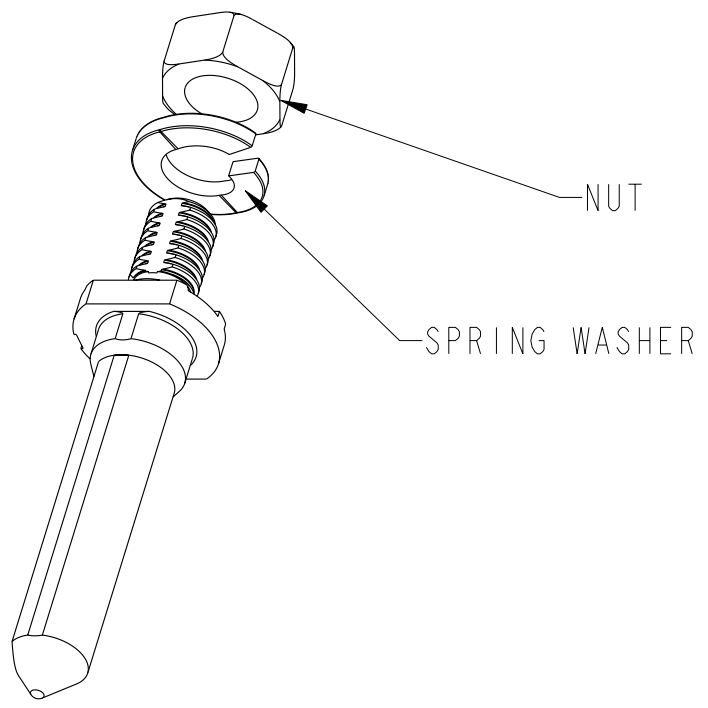
10.8 MM RECEPTACLE GUIDE MODULE NOTE 4 & 5	DIM "A"
10098939-1X1Z00LF	0°
10098939-1X2Z00LF	45°
10098939-1X3Z00LF	90°
10098939-1X4Z00LF	135°
10098939-1X5Z00LF	180°
10098939-1X6Z00LF	225°
10098939-1X7Z00LF	270°
10098939-1X8Z00LF	315°

	TITLE 10.8mm GUIDE PIN, EXT. THREAD	dwg no 10098938	Rev. A
	catalog no -	CUSTOMER	sheet 2 of 4



Copyright FCI.

PART NUMBER (SEE NOTE 5)	DIM "B"	DIM "C" 4/5 PAIR	DIM "C" 2/3 PAIR
10098938-10110LF	1.32	6.00	4.50



P/N DESIGNATION: 10098938-10XYZLF

- ↑ LEAD-FREE DESIGNATION: NOTE 8
- ↑ WITH OR WITHOUT SPRING WASHER, SEE NOTE 5
- ↑ WITH OR WITHOUT FLAT WASHER, SEE NOTE 5
- ↑ DIM "B": SEE TABLE (SHEET 3)



Copyright FCI.



title 10.8mm GUIDE PIN, EXT. THREAD	dwg no 10098938	Rev. A
catalog no -	CUSTOMER	sheet 3 of 4

A

B

C

Copyright FCI.

D


1. MATERIAL: ZINC ALLOY
2. FINISH: ZINC YELLOW CHROMATE
3. APPLICATION SPECIFICATION: GS-20-045
- ④ KEY HOLE ORIENTATION (DIM "A") WILL BE DEFINED BY THE MATING RECEPTACLE GUIDE MODULE PART NUMBER - SEE TABLE (ORIENTATION SHOWN IS FOR 10098939-1X2Z00LF)
- ⑤ Y = 0 FOR GUIDE PIN WITH FLAT WASHER
Y = 1 FOR GUIDE PIN WITHOUT FLAT WASHER
Z = 0 FOR GUIDE PIN WITH SPRING WASHER
Z = 1 FOR GUIDE PIN WITHOUT SPRING WASHER
- ⑥ REFER TO CUSTOMER DRAWING 10035911 FOR INFORMATION REGARDING PCB LAYOUT OF POWER AND GUIDE MODULES RELATIVE TO SIGNAL MODULES
- ⑦ THRU HOLE PLATING AND ANNULAR RINGS MUST BE ADDED IN APPLICATIONS THAT USE THE ESD GROUNDING OPTION. FINISHED HOLE SIZE IS THE SAME REGARDLESS OF PLATED BARREL OR NOT.
- ⑧ THIS PRODUCT MEETS EUROPEAN UNION DIRECTIVES AND OTHER COUNTRY REGULATIONS AS DESCRIBED IN GS-22-008.
9. PACKAGING MEETS GS-14-920 LEAD FREE LABELING SPECIFICATION.
- ⑩ KEEP OUT ZONE MATCH PROFILE OF SEATED GUIDE PIN, SEE SHEET 1 FOR REFERENCE DIMENSIONS OF GUIDE PIN OUTLINE.
- △ 11. A △ SYMBOL WILL BE NEXT TO ANY DIMENSION, VIEW OR NOTE WHICH HAS BEEN MODIFIED WITH THE CURRENT DRAWING REVISION

A

B

C

D

	title	10.8mm GUIDE PIN, EXT. THREAD	dwg no	10098938	Rev.	A
	catalog no	-	CUSTOMER	sheet 4 of 4		