

**MICRO SWITCH**

FREEPORT ILLINOIS U S A  
A DIVISION OF HONEYWELL

FED MFG CODE 91829

**SWITCH - ENCLOSED**

CATALOG LISTING

**21EN37-6B**

M 21EN37-6B

DRAWING NUMBER

ISSUE

X 4

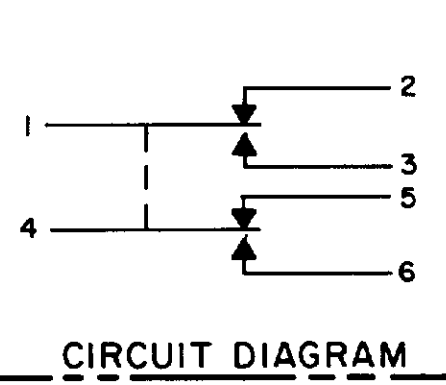
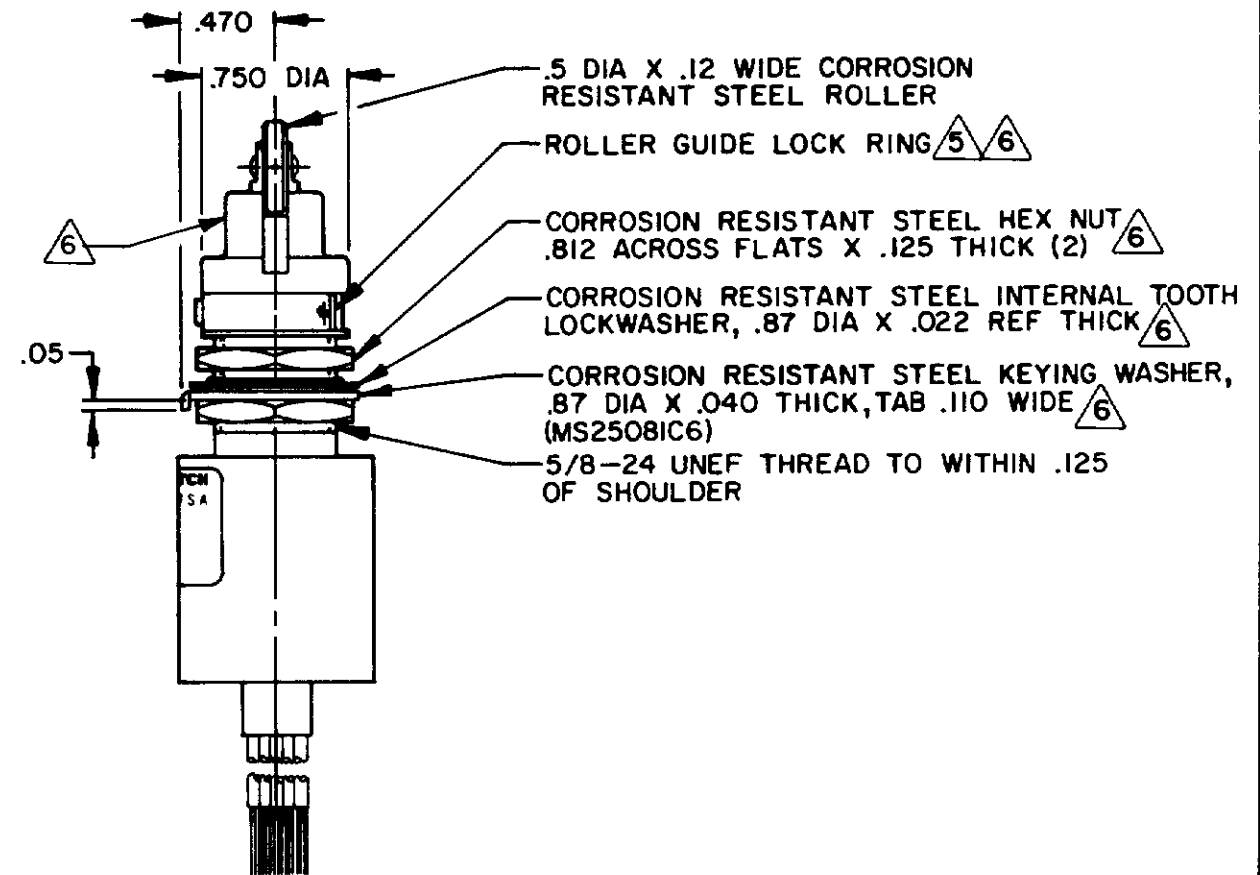
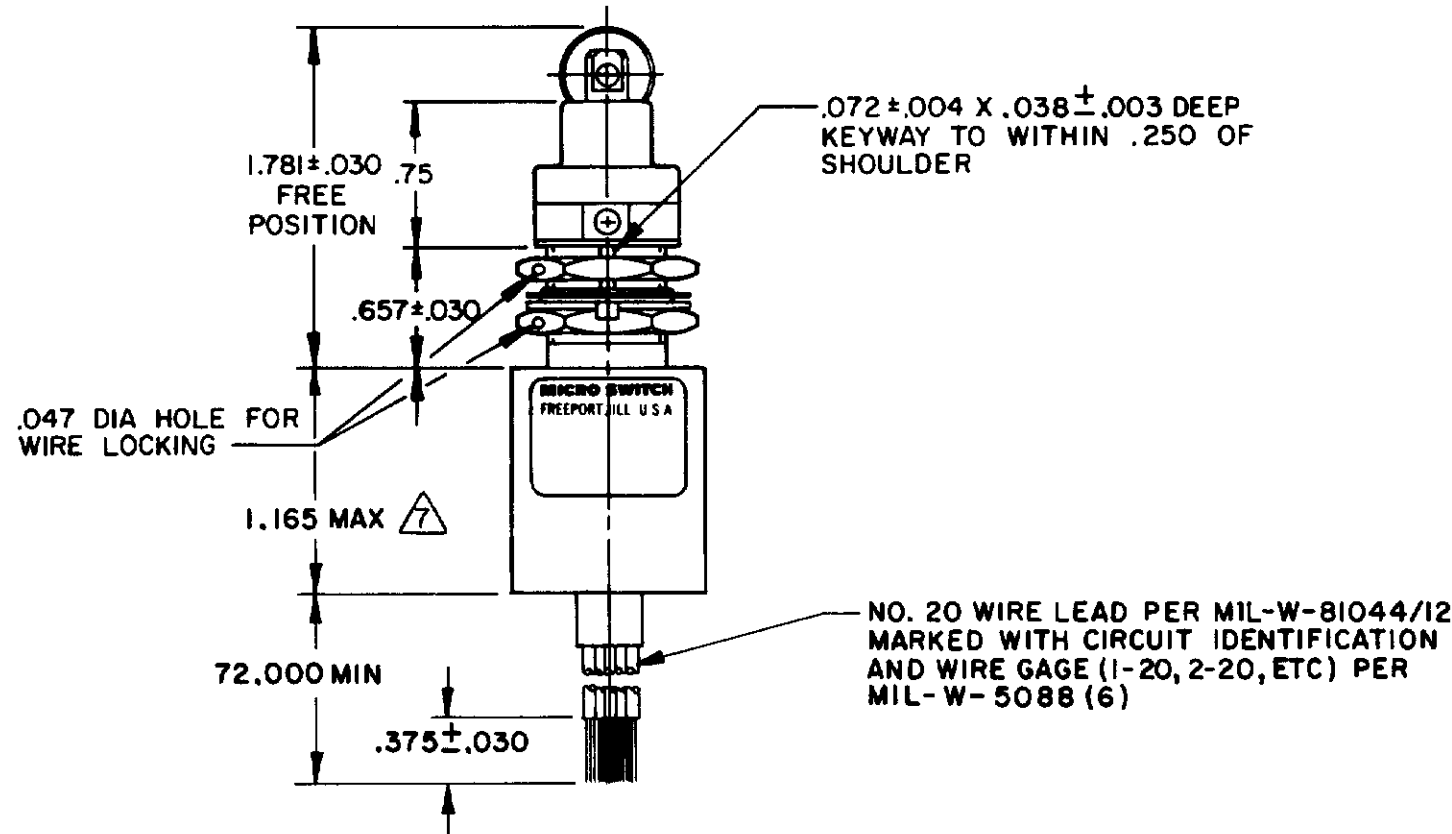
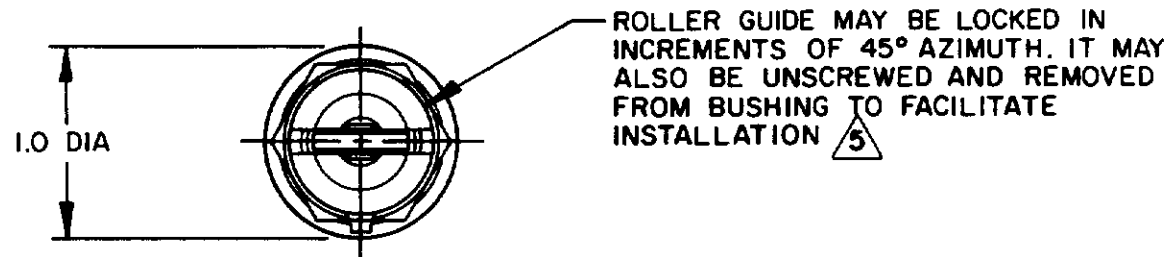
REPLACES

RELEASE NO PR-12056

REVISIONS

A	0066712	TJO	DEC 89
B	CO 74101	DAW	10 FEB 93
C	CO 77048	SAD	18 MAY 94

CHECK 1 APR 83  
CHECK 1 APR 83  
CHECK 5 APR 83  
CHECK 5 APR 83



- NOTES:
- 1 - CORROSION RESISTANT STEEL ENCLOSURE
  - 2 - SWITCH SEALED PER MIL-S-8805 SYMBOL 4
  - 3 - CIRCUIT DIAGRAM AND CATALOG LISTING ARE SHOWN ON NAMEPLATE
  - 4 - COINCIDENCE OF OPERATING AND RELEASING POINTS: .010 OF PLUNGER TRAVEL
- (5) TO ADJUST ROLLER DIRECTION, REMOVE ROLLER GUIDE LOCK RING, SCREW ROLLER GUIDE DOWN AS FAR AS POSSIBLE, THEN UNSCREW TO DESIRED DIRECTION. SECURE BY REPLACING ROLLER GUIDE LOCK RING
- (6) HARDWARE MAY BE PACKAGED UNASSEMBLED PER MIL-S-8805
- (7) THIS DIMENSION EXCLUDES THE RESILIENT POTTING MATERIAL ON THE BOTTOM OF SWITCH

THIS DRAWING COVERS A PROPRIETARY ITEM AND IS THE PROPERTY OF MICRO SWITCH, A DIVISION OF HONEYWELL. THIS DRAWING IS NOT TO BE COPIED OR USED WITHOUT THE APPROVAL OF MICRO SWITCH

THIRD ANGLE PROJECTION

SCALE FULL

DO NOT SCALE PRINT

TOLERANCES  
APPLY TO DESIGN UNITS. CONVERSIONS ARE ONLY FOR REFERENCE. UNLESS NOTED TOLERANCES ARE:

DIM	TOL.	DIM	TOL.
NO PLACES	XXX	XXX	XXX
ONE PLACE	XX	XX	XX
TWO PLACES	X XX	X XX	X XX
THREE PLACES	X XX	X XX	X XX
ANGLES			

DESIGN UNITS  METRIC  US CUSTOMARY

RAW MATERIAL-COMMERCIAL STANDARD  
MICRO SWITCH STANDARDS APPLY  
DIMENSIONS ARE TO BE MET BEFORE  
PROTECTIVE COATINGS ARE APPLIED

WEIGHT 8.9 OZ MAX

CHARACTERISTICS	
OPERATING FORCE	6-12 LB
FULL OVERTRAVEL FORCE	30 LB MAX
RELEASE FORCE	4 LB MIN
PRETRAVEL	.040 MAX
DIFFERENTIAL TRAVEL	.020 MAX
OVERTRAVEL	.250 MIN

ELECTRICAL DATA		
CONTACT ARRANGEMENT SPDT (2)		
28 VDC		
LOAD	SEA LEVEL	50,000 FT.
RES	4	4
IND	2	2
MOTOR	4	
LAMP		

FO-32851-A

DRAWN

CHECK

5 APR 83

T M