

MICRO SWITCH

FREEPORT ILLINOIS U S A
A DIVISION OF HONEYWELL

FED MFG CODE 91829

SWITCH - ENCLOSED

CATALOG LISTING

21EN37-6B

M 21EN37-6B

DRAWING NUMBER

ISSUE

X 4

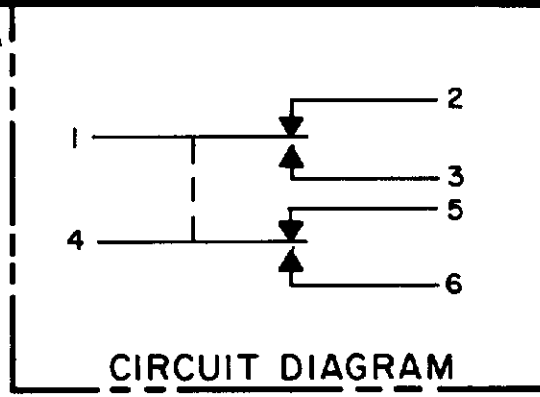
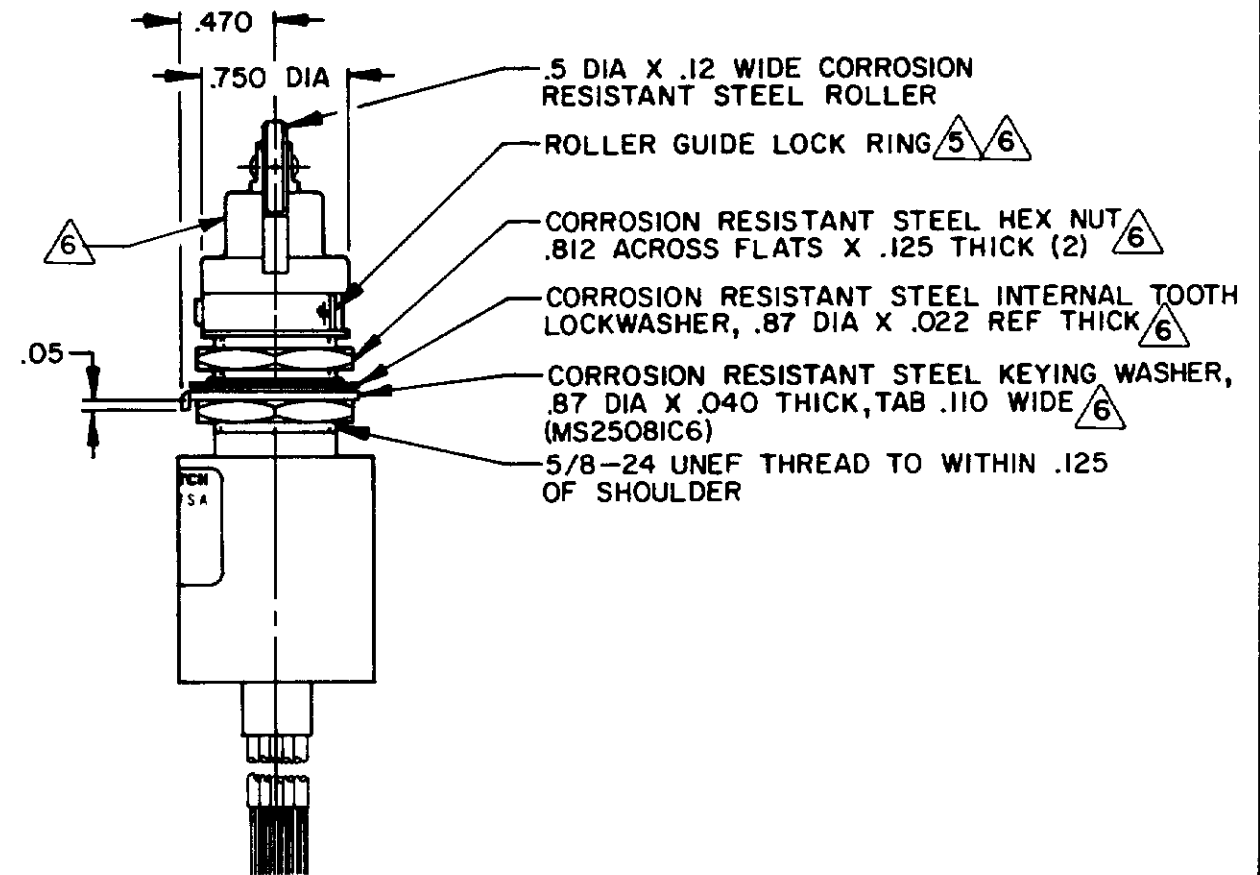
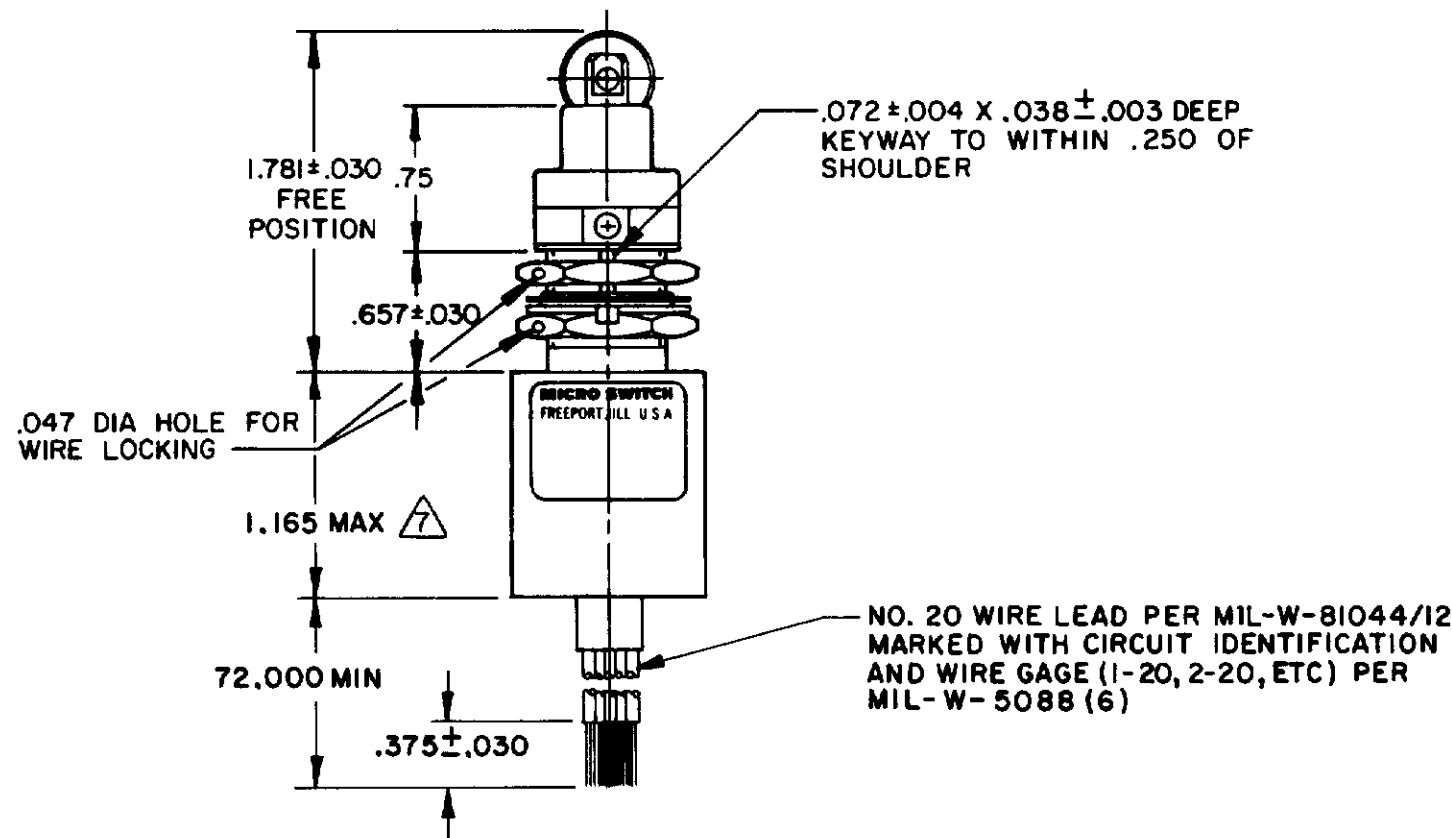
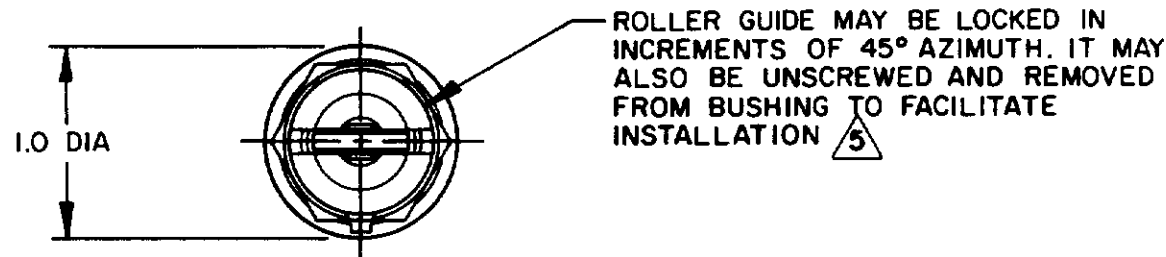
REPLACES

RELEASE NO PR-12056

REVISIONS

| | | | |
|---|----------|-----|-----------|
| A | 0066712 | TJO | DEC 89 |
| B | CO 74101 | DAW | 10 FEB 93 |
| C | CO 77048 | SAB | 18 MAY 94 |

CHECK 1 APR 83
CHECK 1 APR 83
CHECK 5 APR 83
CHECK 5 APR 83



- NOTES:
- 1 - CORROSION RESISTANT STEEL ENCLOSURE
 - 2 - SWITCH SEALED PER MIL-S-8805 SYMBOL 4
 - 3 - CIRCUIT DIAGRAM AND CATALOG LISTING ARE SHOWN ON NAMEPLATE
 - 4 - COINCIDENCE OF OPERATING AND RELEASING POINTS: .010 OF PLUNGER TRAVEL
- ⁵ TO ADJUST ROLLER DIRECTION, REMOVE ROLLER GUIDE LOCK RING, SCREW ROLLER GUIDE DOWN AS FAR AS POSSIBLE, THEN UNSCREW TO DESIRED DIRECTION. SECURE BY REPLACING ROLLER GUIDE LOCK RING
- ⁶ HARDWARE MAY BE PACKAGED UNASSEMBLED PER MIL-S-8805
- ⁷ THIS DIMENSION EXCLUDES THE RESILIENT POTTING MATERIAL ON THE BOTTOM OF SWITCH

THIS DRAWING COVERS A PROPRIETARY ITEM AND IS THE PROPERTY OF MICRO SWITCH, A DIVISION OF HONEYWELL. THIS DRAWING IS NOT TO BE COPIED OR USED WITHOUT THE APPROVAL OF MICRO SWITCH

THIRD ANGLE PROJECTION

SCALE FULL

DO NOT SCALE PRINT

TOLERANCES
APPLY TO DESIGN UNITS. CONVERSIONS ARE ONLY FOR REFERENCE. UNLESS NOTED TOLERANCES ARE:

| NO PLACES | DESIGN | TOL. | CONV. | DESIGN | TOL. |
|--------------|--------|--------|--------|--------|--------|
| | | IN | MIL | | MIL |
| ONE PLACE | X | 0.001 | 1/1000 | X | 0.001 |
| TWO PLACES | XX | 0.0005 | 1/2000 | XX | 0.0005 |
| THREE PLACES | XXX | 0.0002 | 1/5000 | XXX | 0.0002 |

DESIGN UNITS METRIC US CUSTOMARY

RAW MATERIAL-COMMERCIAL STANDARD
MICRO SWITCH STANDARDS APPLY
DIMENSIONS ARE TO BE MET BEFORE
PROTECTIVE COATINGS ARE APPLIED

WEIGHT 8.9 OZ MAX

| CHARACTERISTICS | |
|-----------------------|-----------|
| OPERATING FORCE | 6-12 LB |
| FULL OVERTRAVEL FORCE | 30 LB MAX |
| RELEASE FORCE | 4 LB MIN |
| PRETRAVEL | .040 MAX |
| DIFFERENTIAL TRAVEL | .020 MAX |
| OVERTRAVEL | .250 MIN |

| ELECTRICAL DATA | | |
|---------------------------------|-----------|------------|
| CONTACT ARRANGEMENT SPDT (2) | | |
| 28 VDC | | |
| LOAD | SEA LEVEL | 50,000 FT. |
| RES | 4 | 4 |
| IND | 2 | 2 |
| MOTOR | 4 | |
| LAMP | | |

FO-32851-A

DRAWN

T M 5 APR 83