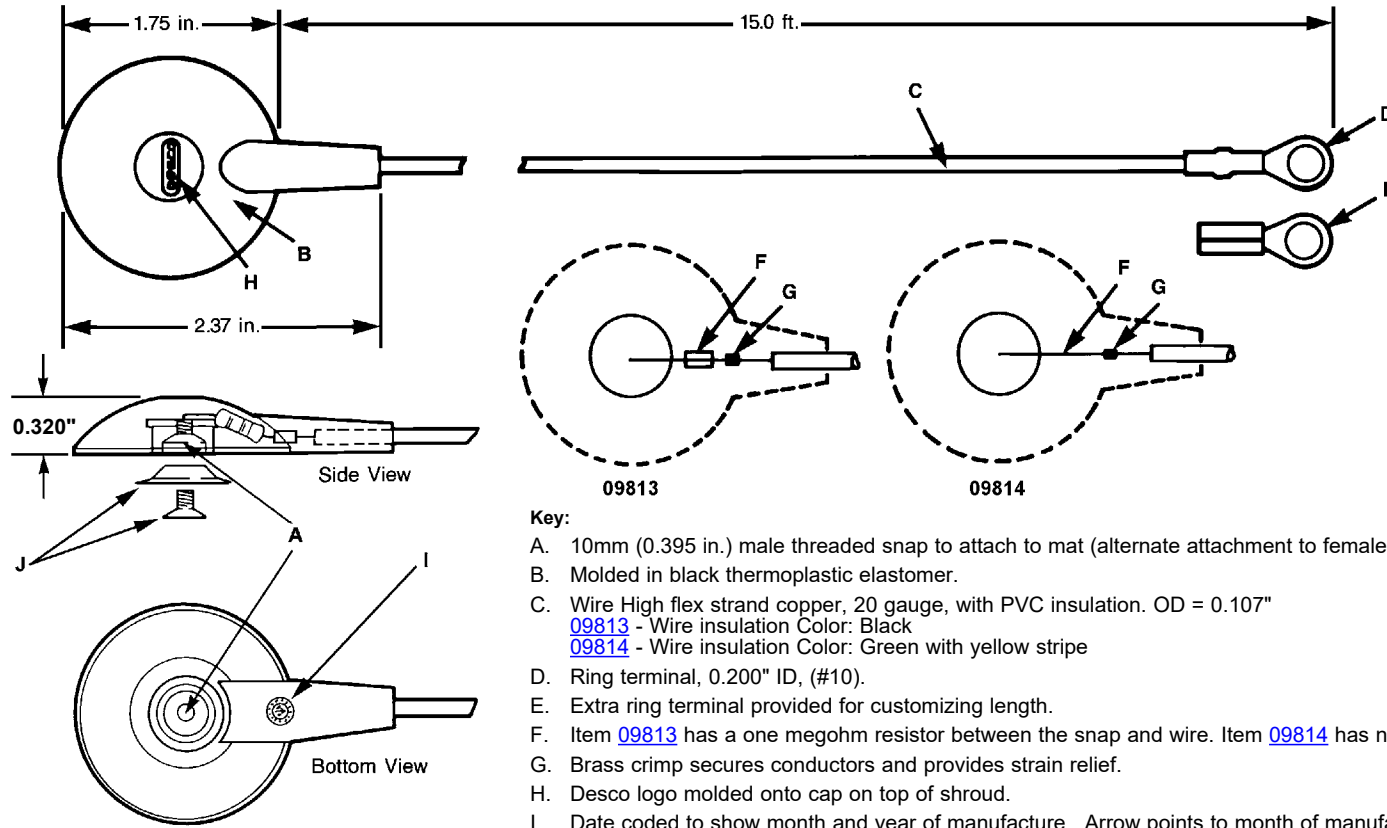


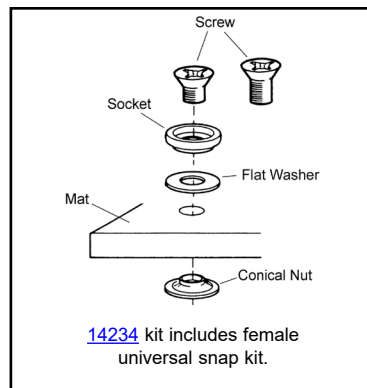
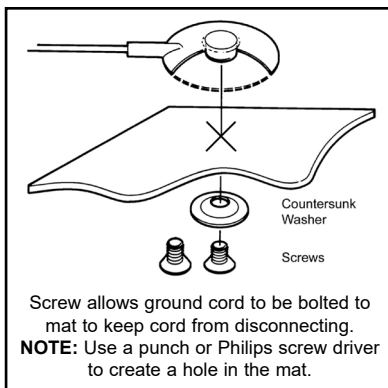


Made in the United States of America



**Key:**

- A. 10mm (0.395 in.) male threaded snap to attach to mat (alternate attachment to female socket snap – not included with [09813](#) / [09814](#)).
- B. Molded in black thermoplastic elastomer.
- C. Wire High flex strand copper, 20 gauge, with PVC insulation. OD = 0.107"  
[09813](#) - Wire insulation Color: Black  
[09814](#) - Wire insulation Color: Green with yellow stripe
- D. Ring terminal, 0.200" ID, (#10).
- E. Extra ring terminal provided for customizing length.
- F. Item [09813](#) has a one megohm resistor between the snap and wire. Item [09814](#) has no resistor between the snap and wire.
- G. Brass crimp secures conductors and provides strain relief.
- H. Desco logo molded onto cap on top of shroud.
- I. Date coded to show month and year of manufacture. Arrow points to month of manufacture (12:00 = December), numerals indicate the year (10=2010).
- J. 6-32 x 1/4" flat head screw and washer allow mat ground cord to be bolted to most mats by shorter or alternate longer screw (x 3/8" long) depending on mat thickness.



Item	Wire Insulation Color	Resistance
<a href="#">09813</a>	Black	1 megohm (±5%)
<a href="#">09814</a>	Green / Yellow	No Resistor
<a href="#">14234*</a>	Black	1 megohm (±5%)

\*Includes [09813](#) and 6-32 x 1/4" flat head screw, 6-32 x 3/8" long flat head screw, and female socket snap.

Unless otherwise specified tolerance ± 10%

Specifications and procedures subject to change without notice.

### GROUND CORD, MAT, THREADED 10MM SNAP STUD

DESCO WEST: 3651 WALNUT AVE., CHINO, CA 91710 WEB SITE: [Desco.com](http://Desco.com)  
PHONE (909) 627-8178

DESCO EAST: ONE COLGATE WAY, CANTON, MA 02021-1407  
PHONE (781) 821-8370

**DRAWING NUMBER**  
09814

**DATE:**  
May 2017

# DESCO