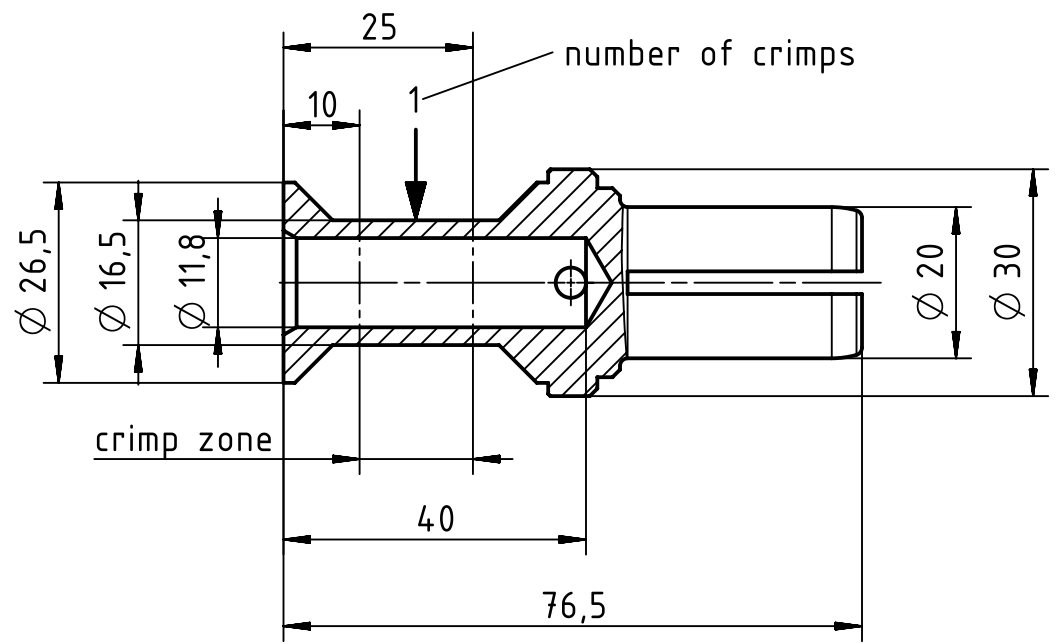


A

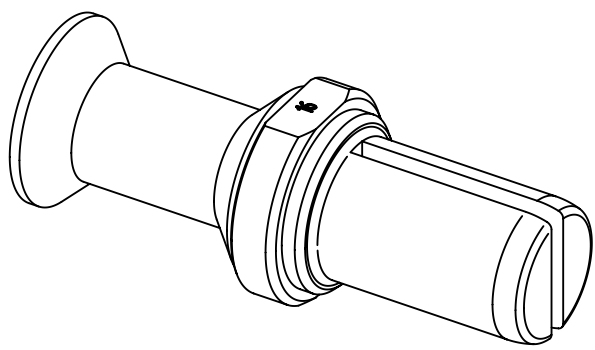
B

C

D



assembly notes see catalog
 crimp zone acc. to DIN EN 46235; indicator 16
 for stranded fine wire acc. to VDE 0295 class5/ IEC 60228 class 5
 wire gauge: 70mm²
 stripping length: 42mm



	All Dimensions in mm Original Size DIN A4		Scale 1:1	Free size tol.		Ref.		
						Sub.		
	All rights reserved		Created by SCHULZI	Inspected by SCHNIEDER	Standardisation SCHMIDTM	Date 2015-01-27	State Final Release	
	Department EL PD - DE		Title Han TC650 male contact 70mm ²				Doc-Key / ECM-Nr. 100210236/UGD/005/C 500000082399	
HARTING Electric GmbH & Co. KG D-32339 Espelkamp			Type TB	Number 09 11 000 6161			Rev. C	Page 1/1

Mouser Electronics

Authorized Distributor

Click to View Pricing, Inventory, Delivery & Lifecycle Information:

[HARTING:](#)

[09110006161](#)