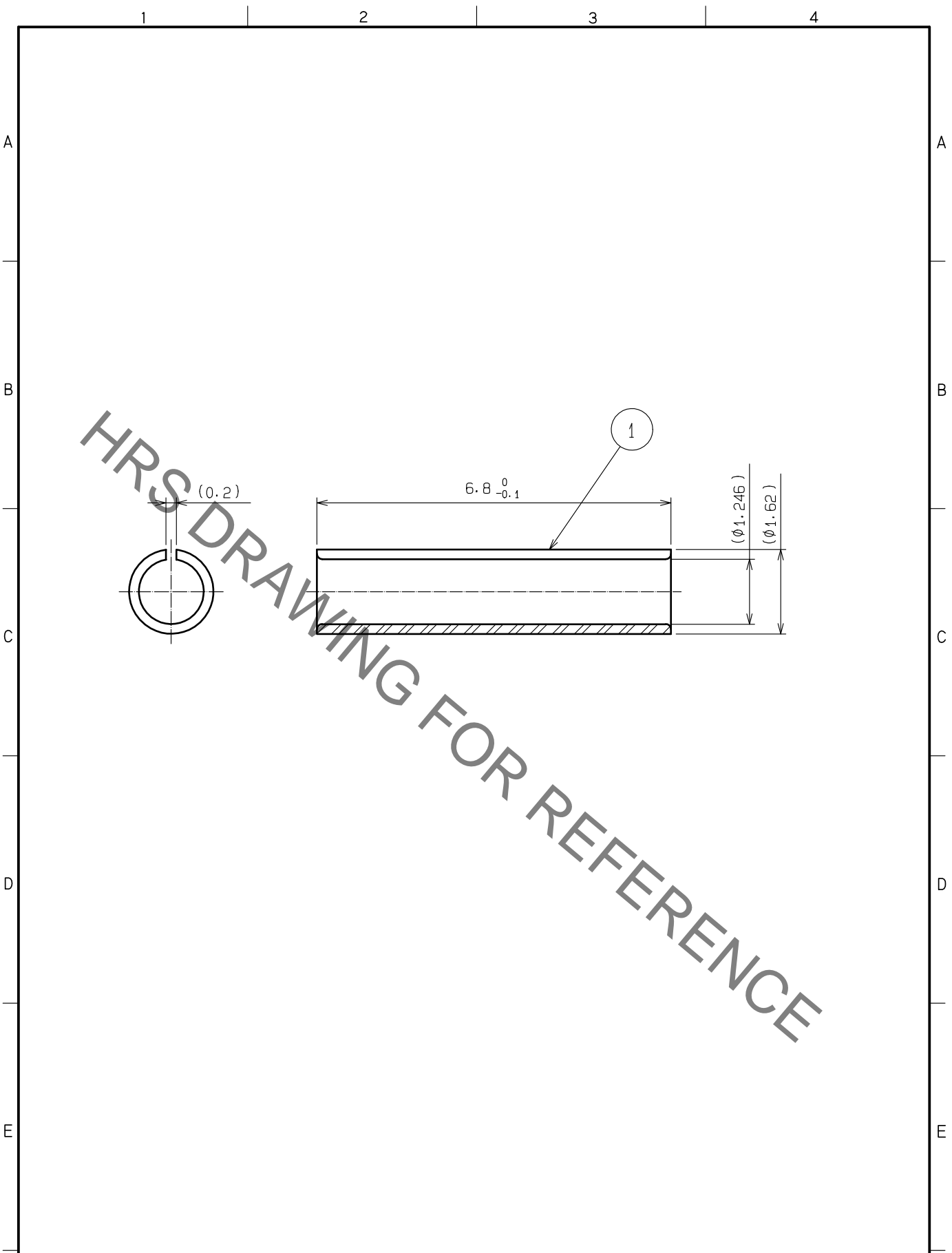


Jul.1.2019 Copyright 2019 HIROSE ELECTRIC CO., LTD. All Rights Reserved.
 In case of consideration for using Automotive equipment / device which demand high reliability, kindly contact our sales window correspondents.



HRS DRAWING FOR REFERENCE

1	Zirconia							
NO.	MATERIAL	FINISH . REMARKS		NO.	MATERIAL	FINISH . REMARKS		
UNITS mm		SCALE 10: 1	COUNT 	DESCRIPTION OF REVISIONS		DESIGNED	CHECKED	DATE
HIROSE ELECTRIC CO., LTD.		APPROVED : MT. SHIBUTANI	15. 04. 03	DRAWING NO.		EDC-174347-00-00		
		CHECKED : YY. HIYAMA	15. 04. 03	PART NO.		HMUA-D		
		DESIGNED : FS. YOSHIDA	15. 04. 03	CODE NO.		CL710-0147-3-00		
		DRAWN : FS. YOSHIDA	15. 04. 03			1/1		