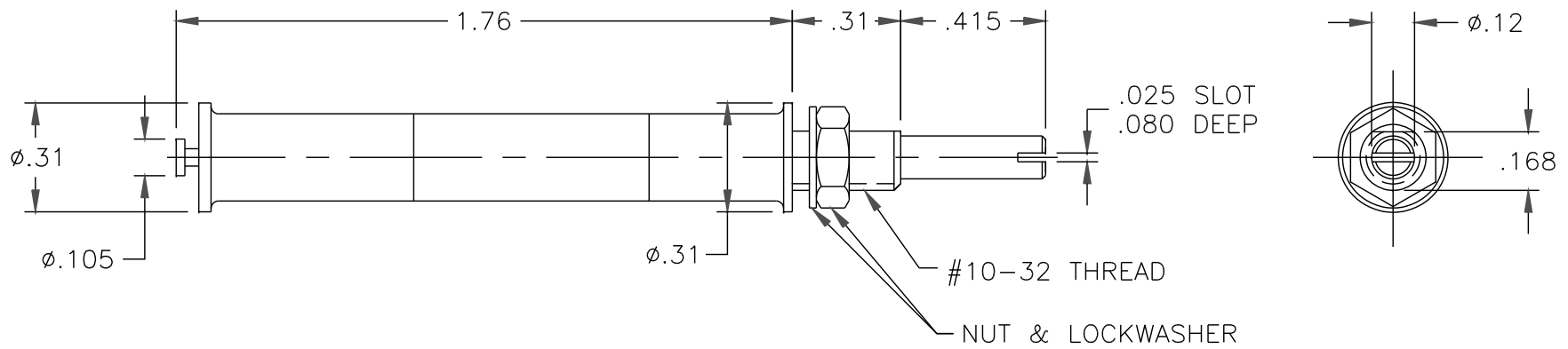


DATE	SYM	REVISION	RECORD	AUTH	DR	CK



NOTES:

1. CAPACITANCE RANGE, pF: 2.0 TO 120.0
2. DC WORKING VOLTAGE AT 120.0 pF: 1000
3. DC WITHSTANDING VOLTAGE AT 120.0 pF: 2000
4. Q FACTOR AT 100 MHz AND 120 pF: 600 MIN.
5. INSULATION RESISTANCE:  $10^6$  MEGOHMS AT 25°C
6. TEMPERATURE COEFFICIENT:  $\pm 150$  PPM/°C
7. OPERATING TEMPERATURE: -55°C TO +125°C
8. TUNING TORQUE: 0.5 TO 4.0 IN-OZ

TOLERANCES (EXCEPT AS NOTED)		VOLTRONICS CORPORATION 100 FORD RD. DENVER N.J.			
DECIMAL XXX $\pm .005$ XX $\pm .016$		SCALE 2 : 1	DRAWN BY A.SHTABNAYA		
FRACTIONAL -	TITLE OUTLINE DWG. NMTM120CE	APPROVED BY A.GOLDBERG			
ANGULAR -	DATE 10/09/09	DRAWING NUMBER 70,666			