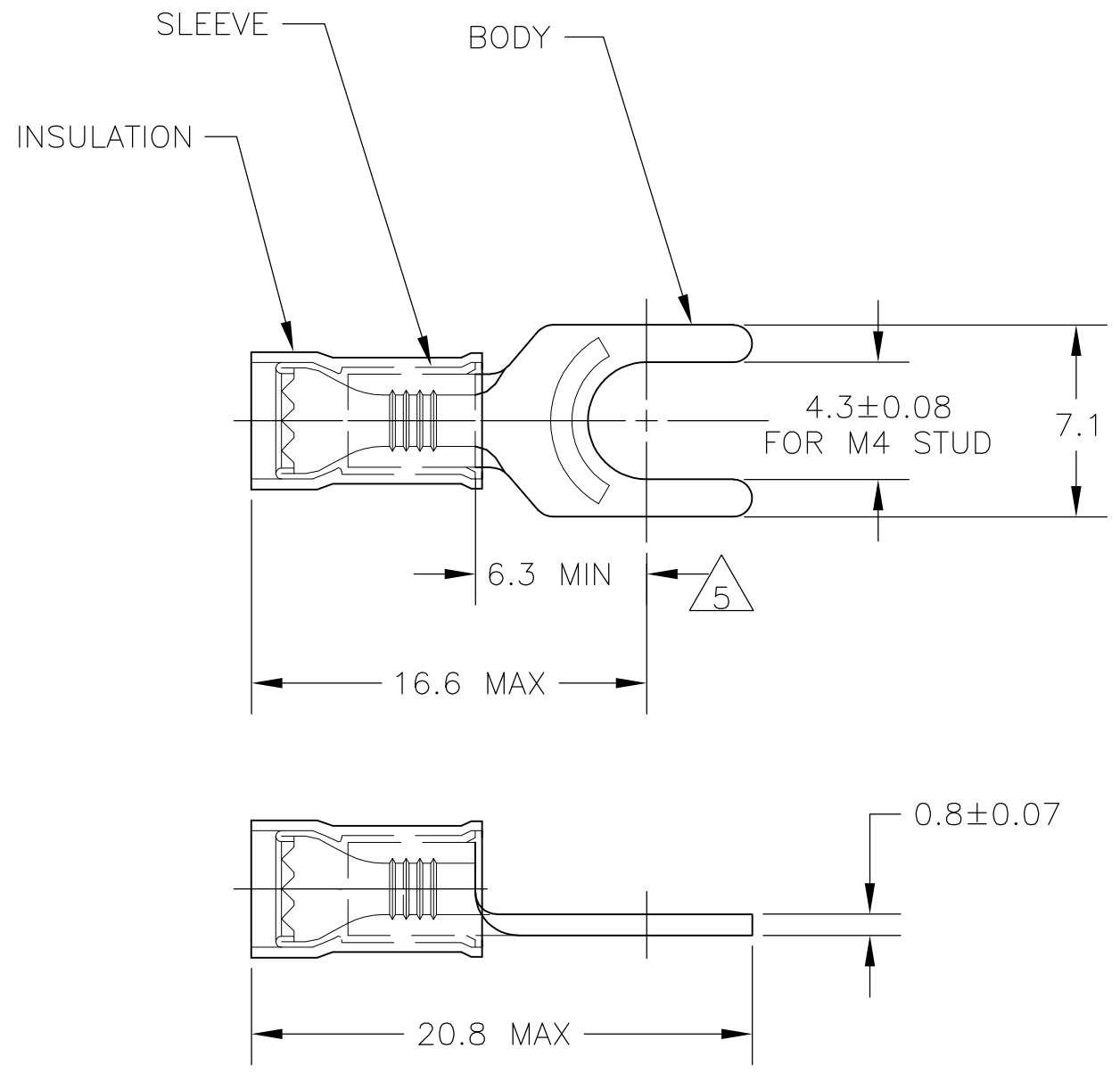


THIS DRAWING IS UNPUBLISHED. RELEASED FOR PUBLICATION  
 © COPYRIGHT BY TYCO ELECTRONICS CORPORATION. ALL RIGHTS RESERVED.

| LOC | DIST | REVISIONS |     |                           |         |     |      |
|-----|------|-----------|-----|---------------------------|---------|-----|------|
|     |      | P         | LTR | DESCRIPTION               | DATE    | DWN | APVD |
| G   | 14   |           | F1  | REVISED PER ECR-09-009722 | 05MAY09 | HMR | TM   |
|     |      |           | F2  | REVISED PER ECO-09-020935 | 29AUG09 | KK  | AEG  |



**AMP**  
WIRE RANGE

---

22-16 AWG  
SOLID OR STRANDED

- 1 STAMP "AMP 22-16\*", APPROX AS SHOWN
- 2 WIRE INSULATION DIA: SEE TABLE
- 3 BODY & SLEEVE: TIN PLATE PER ASTM B545,
- 4 BODY & SLEEVE- CU PER ASTM B152  
INSULATION - NYLON, COLOR - RED
- 5 APPLIES FROM EDGE OF METAL WIRE BARREL TO CENTER OF STUD HOLE.
- 6 UL LISTED E13288, 22-16 AWG, SOLID OR STRANDED.
- 7 OBSOLETE PARTS: OBSOLETE CIS STREAMLINING PER D.RENAUD/D.SINISI

|           |          |                     |             |               |                       |
|-----------|----------|---------------------|-------------|---------------|-----------------------|
| 7         | OBSOLETE | 6                   | 2.0mm-3.2mm | ON TAPE, REEL | <del>2-130516-1</del> |
| 7         | OBSOLETE | 6                   | 2.0mm-3.2mm | LOOSE PIECE   | <del>130516-2</del>   |
| 7         | OBSOLETE | ---                 | 3.0mm-3.9mm | LOOSE PIECE   | <del>130516-1</del>   |
|           |          | 6                   | 2.0mm-3.2mm | LOOSE PIECE   | 130516                |
| APPROVALS |          | WIRE INSULATION DIA |             | PACKAGE TYPE  | PART NO               |

**AMP INCORPORATED**  
CUSTOMER SERVICE SYSTEMS

FOR ADDITIONAL PRODUCT INFORMATION OR COPIES OF DRAWINGS AND TECHNICAL DOCUMENTS  
 PRODUCT INFORMATION CENTER  
 1-800-522-6752

FOR APPLICATION TOOLING ASSISTANCE CENTER  
 TOOLING INFORMATION  
 1-800-722-1111

FOR ORDER ENTRY  
 1-800-526-5142

MAX RECOMMENDED OPERATING TEMPERATURE:  
105°C MAX

VOLTAGE RATING:  
300 V MAX

CIRCULAR MIL AREA:  
0.26-1.65mm<sup>2</sup> [509-3,260]  
SOLID OR STRANDED

THIS DRAWING IS A CONTROLLED DOCUMENT FOR AMP INCORPORATED. IT IS SUBJECT TO CHANGE AND THE CONTROLLING ENGINEERING ORGANIZATION SHOULD BE CONTACTED FOR THE LATEST REVISION.

THIS DRAWING IS A CONTROLLED DOCUMENT.

DIMENSIONS: MM INCHES

TOLERANCES UNLESS OTHERWISE SPECIFIED:

|        |       |
|--------|-------|
| 0 PLC  | ± -   |
| 1 PLC  | ± 0.2 |
| 2 PLC  | ± -   |
| 3 PLC  | ± -   |
| 4 PLC  | ± -   |
| ANGLES | ± -   |
| FINISH | ± -   |

MATERIAL: - 4

DWN JR RUTH 08NOV05  
 CHK T MICHIELUTTI 08NOV05  
 APVD T MICHIELUTTI 08NOV05

**Tyco Electronics**  
 Tyco Electronics Corporation  
 Harrisburg, PA 17105-3608

NAME: TERMINAL, SPADE TONGUE, P.I.D.G.  
 WIRE SIZE: 22-16 AWG

SIZE: A3 CAGE CODE: 00779 DRAWING NO: C-130516 RESTRICTED TO: -

WEIGHT: -

CUSTOMER DRAWING SCALE: 4:1 SHEET: 1 OF 1 REV: F2