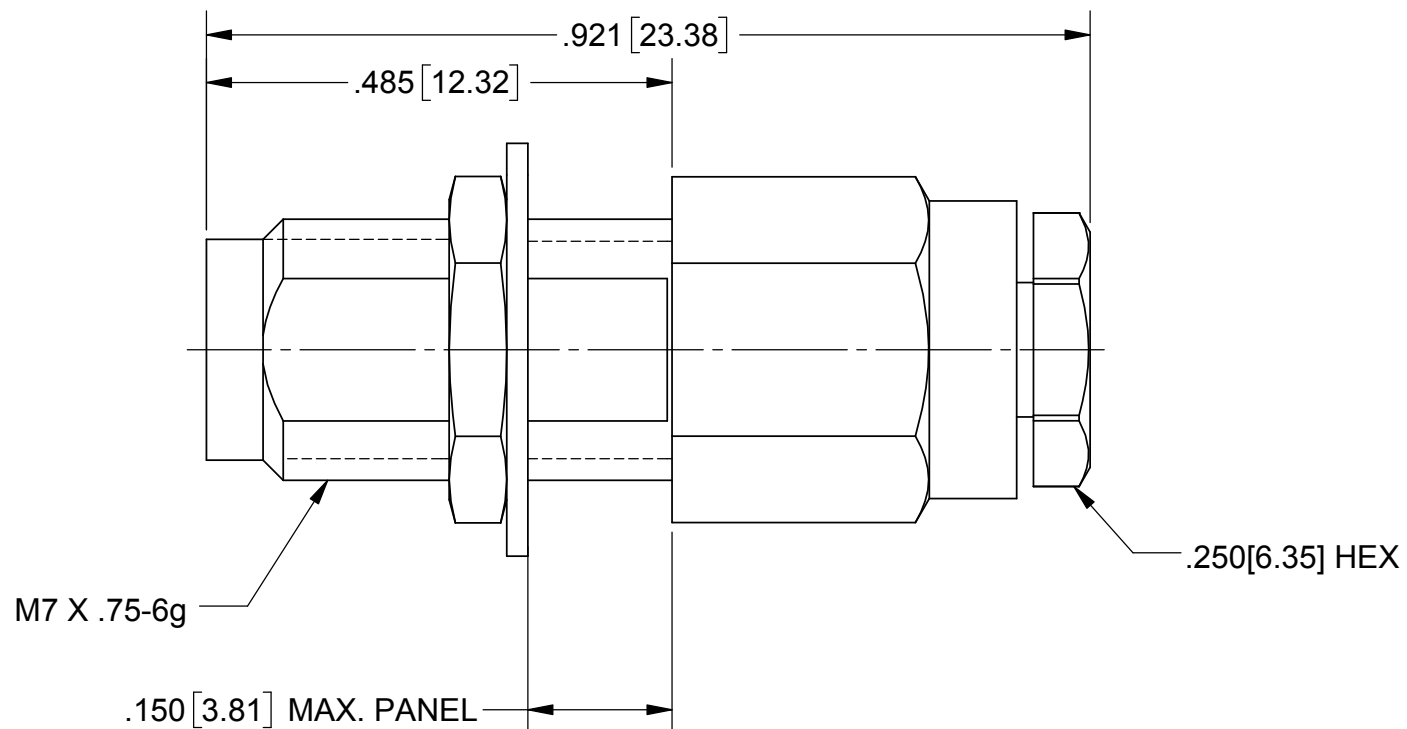
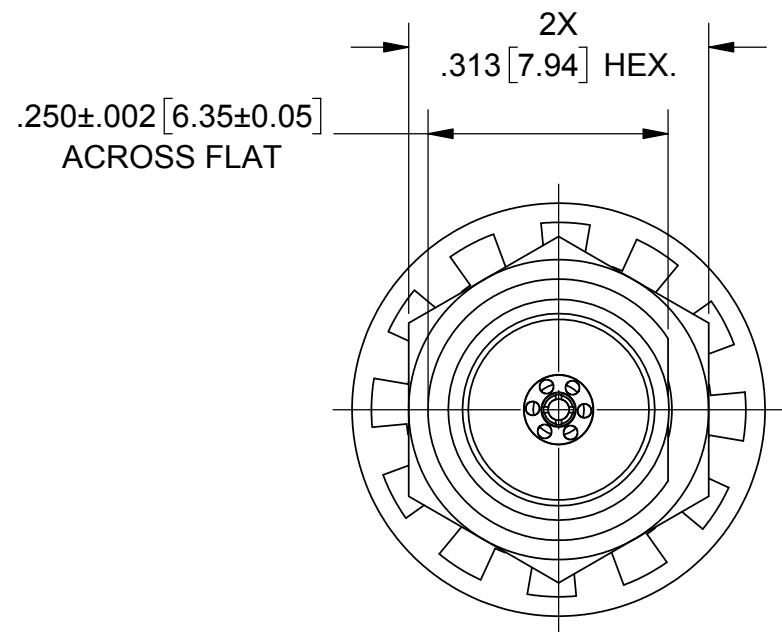


PRODUCT DATA DRAWING

| REVISION HISTORY | | | |
|------------------|----------------|----------|----------|
| REV | DESCRIPTION | DATE | APPROVED |
| - | REV. DCN 39276 | 08/09/12 | STW |
| A | REV. DCN 48229 | 01/04/19 | STW |



MATERIAL:

BODY, HEX NUT, FERRULE, CLAMP NUT, & INSERT:

STAINLESS STEEL PER AMS-5640, ALLOY UNS S30300, TYPE 1 OR ASTM A582, TYPE 303, CONDITION A.

CONTACT:

BERYLLIUM COPPER PER ASTM B196, ALLOY No. UNS C17300, TD04.

LOCKWASHER:

STAINLESS STEEL 300 SERIES

INSULATOR:

PCTFE PER ASTM D1430

FINISH:

BODY, HEX NUT, CLAMP NUT & INSERT: PASSIVATED PER AMS 2700.

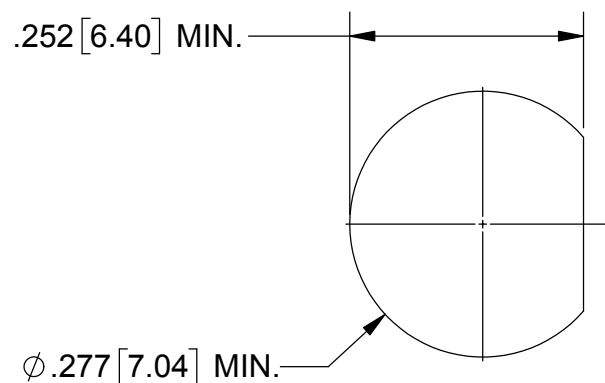
FERRULE & CONTACT:

GOLD PER ASTM B488, TYPE II, CODE C, CLASS 1.27, OVER NICKEL PER AMS-QQ-N-290, CLASS 1, .000050" MIN.

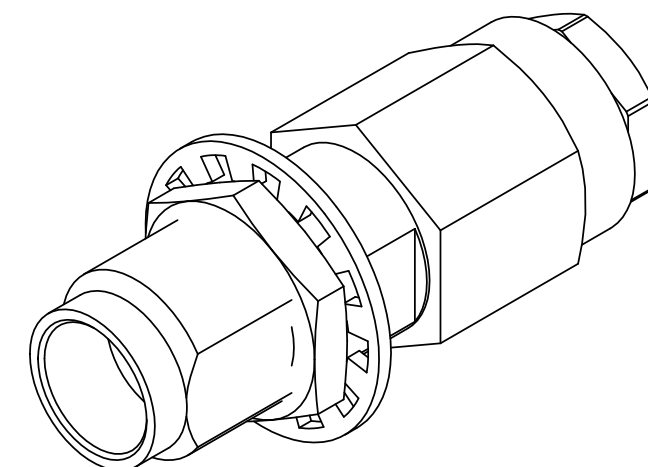
PERFORMANCE:

IMPEDANCE: 50 OHMS
 FREQ. RANGE: DC TO 65.0 GHz
 VSWR: 1.33:1 DC TO 65.0 GHz
 INSERTION LOSS: .03 X SQRT(F IN GHz)
 DWV: 500 VRMS
 OPERATING TEMP.: -55 °C TO +125 °C

ENGAGEMENT/ DISENGAGEMENT: 2 IN-LBS



RECOMMENDED MOUNTING HOLE



| | | | |
|---|--|--|---|
| MATERIAL: SEE NOTES | DIMENSIONS ARE IN INCHES TOLERANCES: FRACTIONAL: ±1/64 ANGULAR: X° ±1'0" X°X' ±15' | UNLESS OTHERWISE SPECIFIED 1) ALL DIMENSIONS ARE IN INCHES (MILLIMETERS) 2) ALL DIMENSIONS ARE AFTER PLATING. 3) BREAK CORNERS & EDGES .005 R. MAX. 4) CHAM. 1ST & LAST THREADS. 5) SURFACE ROUGHNESS 63-MIL-STD-10. 6) DIA. 'S ON COMMON CENTERS TO BE CONCENTRIC WITHIN .005 T.I.R. 7) REMOVE ALL BURRS | SV Microwave, Inc. 2400 Centrepark West Drive, Suite 100 West Palm Beach, FL 33409 |
| FINISH: SEE NOTES | DECIMAL: .X ±.030 .XX ±.010 .XXX ±.005 | INTERPRET DIMENSIONS AND TOLERANCES PER ASME Y14.5M - 1994 | TITLE: 1.85MM JACK, BULKHEAD MT. FOR Ø.047 CABLE |
| SURFACE AREA: N/A | THIRD ANGLE PROJECTION | DRAWN: JMC 08/08/12 | SIZE: B CAGE CODE: 95077 DWG. NO.: SF3321-60004 |
| PROPRIETARY THE INFORMATION CONTAINED IN THIS DRAWING IS THE SOLE PROPERTY OF SV MICROWAVE, INC. ANY REPRODUCTION IN PART OR AS A WHOLE WITHOUT THE WRITTEN PERMISSION OF SV MICROWAVE, INC IS PROHIBITED. | | CHECKED: STW 08/09/12 | SCALE: 5:1 |
| | | APPROVED: STW 08/09/12 | SHEET 1 OF 1 |