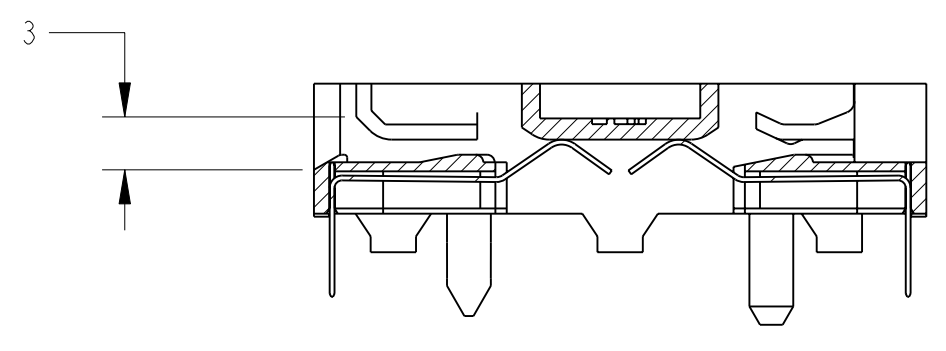
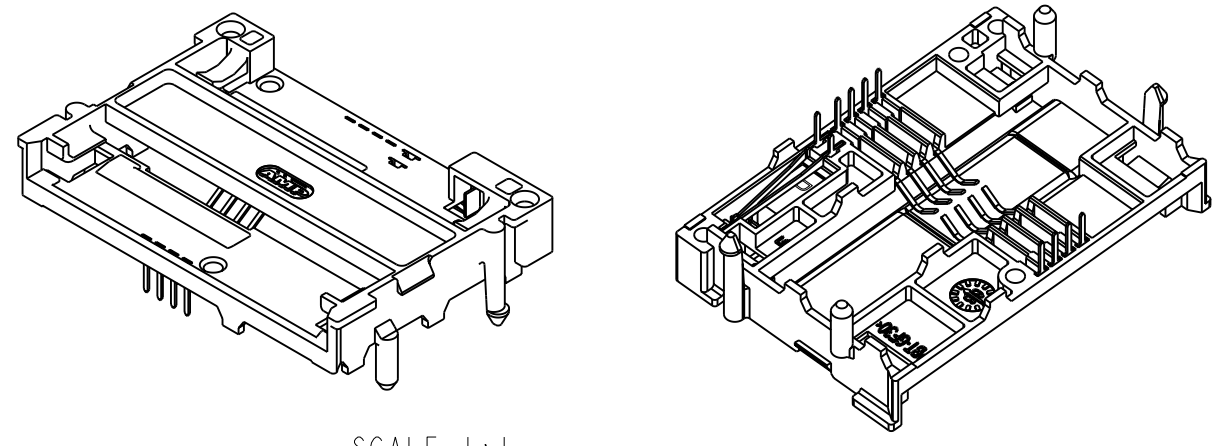


THIS DRAWING IS UNPUBLISHED. RELEASED FOR PUBLICATION  
 © COPYRIGHT - ALL RIGHTS RESERVED.

LOC	DIST	REVISIONS			
P	LTR	DESCRIPTION	DATE	DWN	APVD
IR	-	D	ECR-11-025634	20DEC2011	GG RRP



SECTION A-A



SCALE 1:1

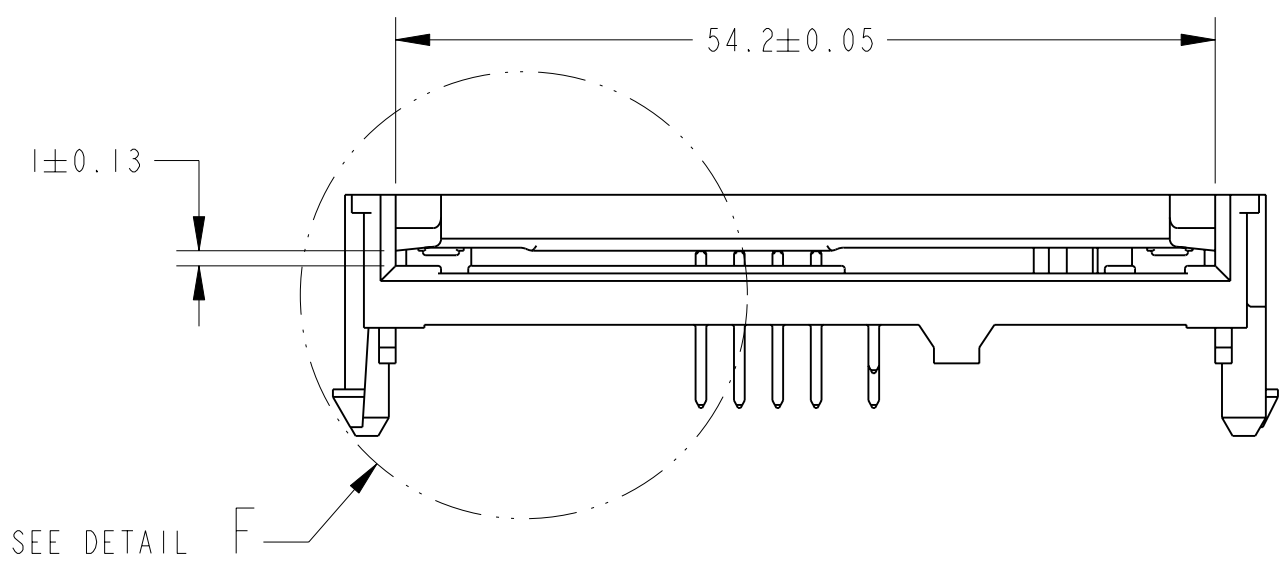
NOTES:

CONTACTS PLATING :

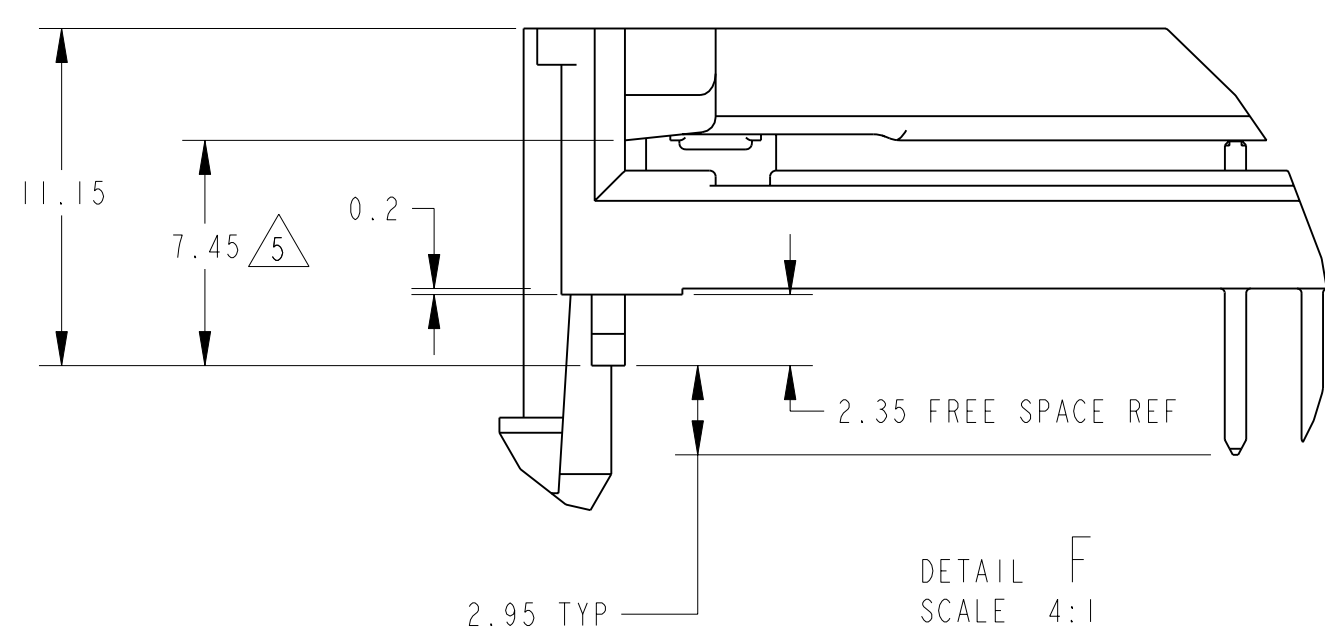
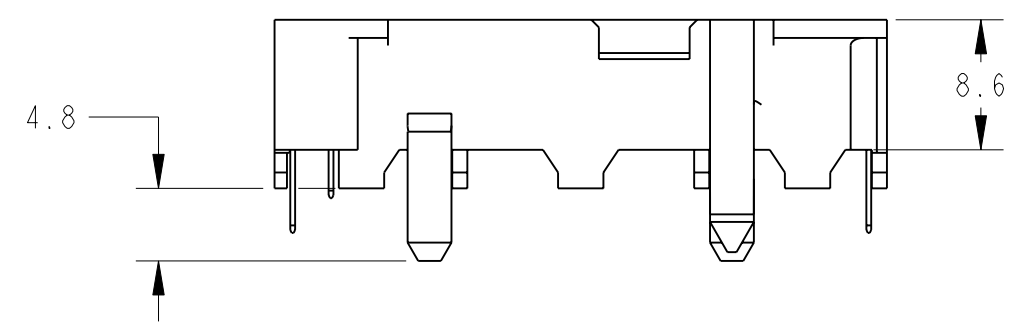
- 1 OVERALL: Ni 2µm MIN, ALL OVER THE CONTACTS.  
 SOLDER ZONE: Sn 2.5µm MIN ON THE SOLDER ZONE OF THE CONTACTS.  
 MATING ZONE: PLATING CONFIRMS TO PRODUCT REQUIREMENTS AS PER SPECIFICATION 108-15202.

MATERIAL :

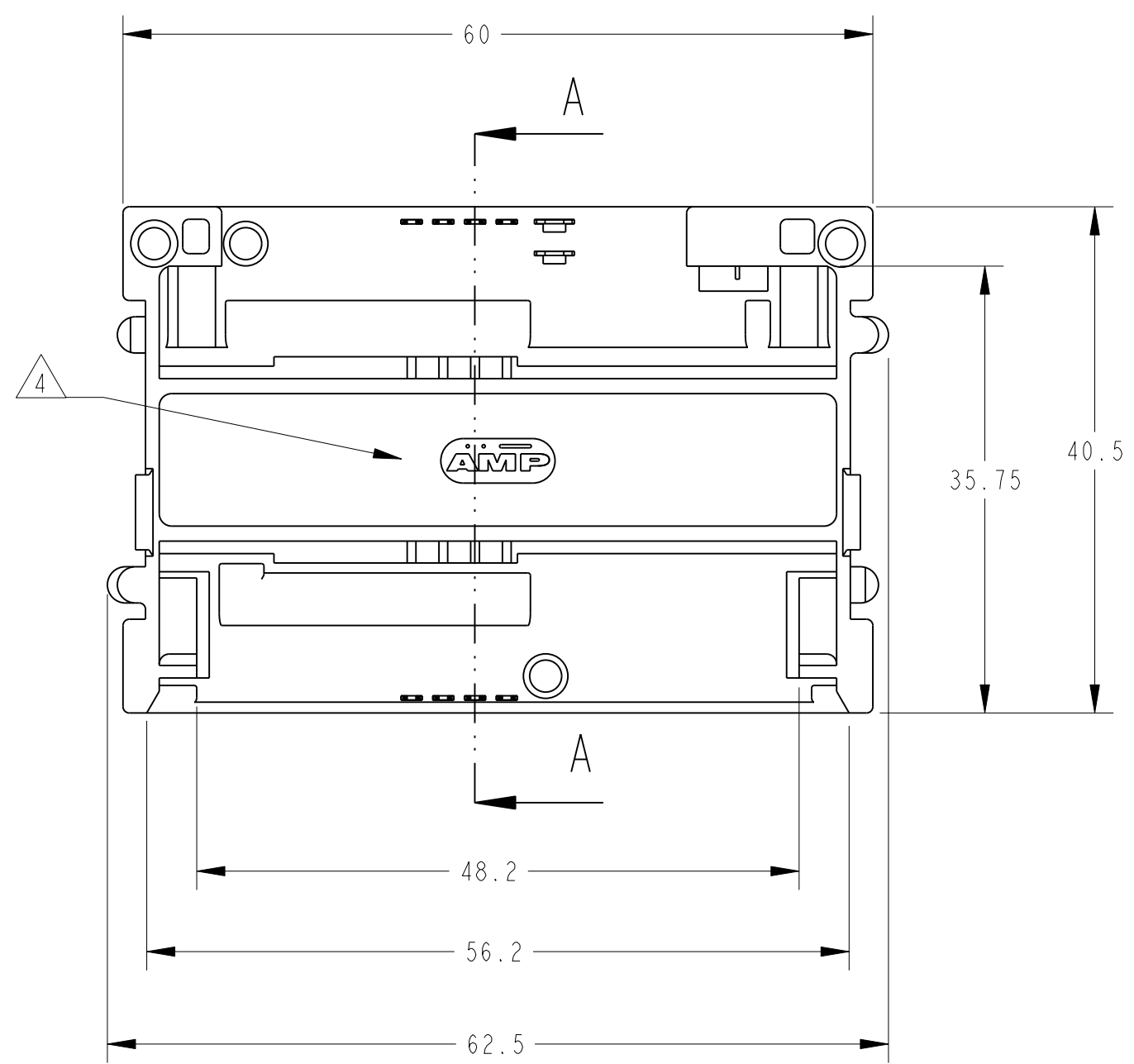
- 2 HOUSING: PBT-GF, BLACK UL 94V0.  
 CONTACTS: PHOSPHOR BRONZE.
- 3 TE SMART CARD RECEPTACLE DESIGNED TO ACCEPT ISO 7810-7816 TYPE INTEGRATED CIRCUIT SMART CARDS (0.76MM REF. THICKNESS) SEE SHEET 2/2
- 4 LOGO SHAPE AND POSITION VARY DEPENDING ON MOLD CAVITY NUMBER.
- 5 DIMENSION APPLICABLE IN CARD CONTACT AREA ONLY SURFACE VARY DEPENDING ON MOLD CAVITY NUMBER



SEE DETAIL F



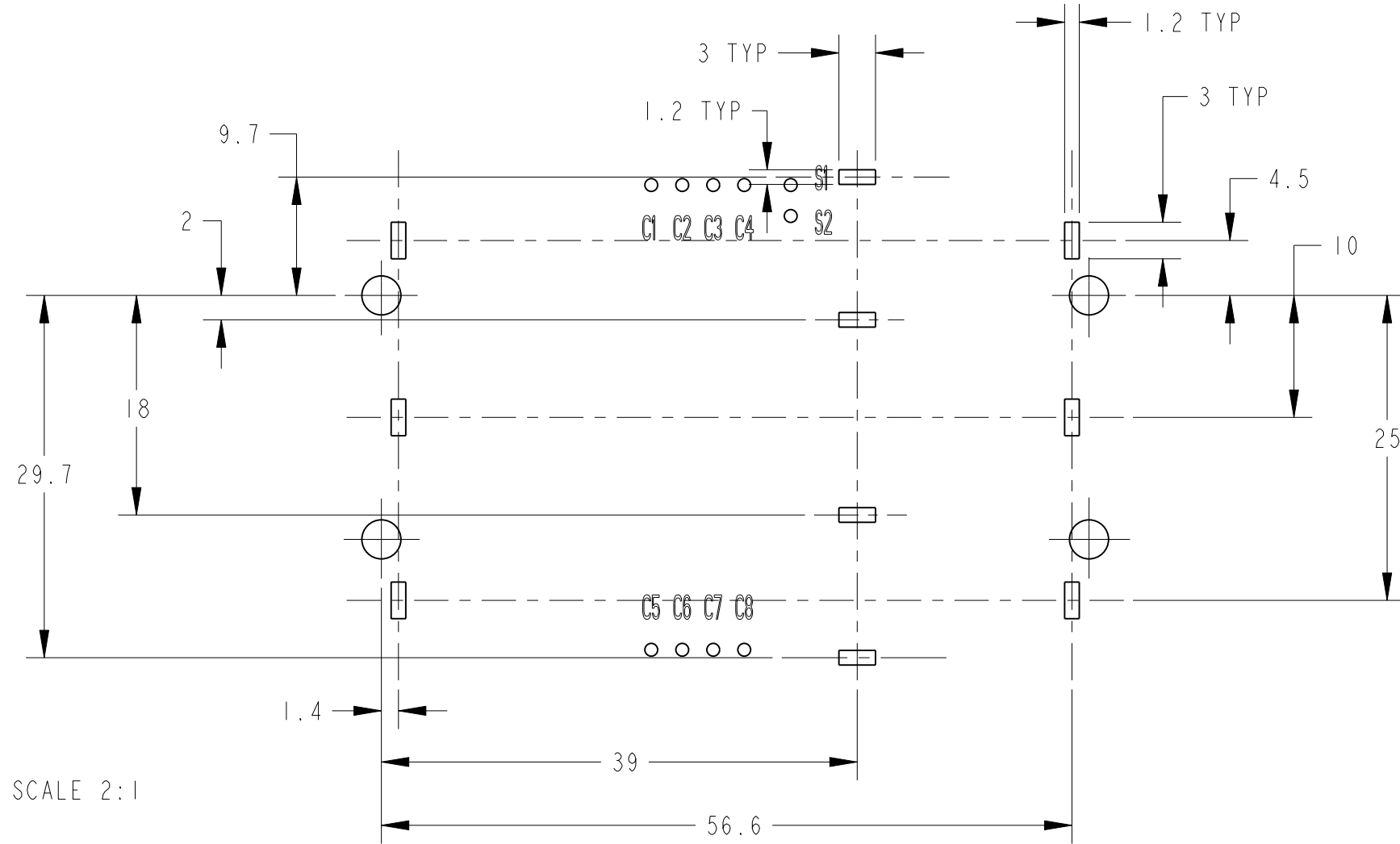
DETAIL F  
SCALE 4:1



PartNumber: 5953438-1 8 POSITIONS ISO 7816

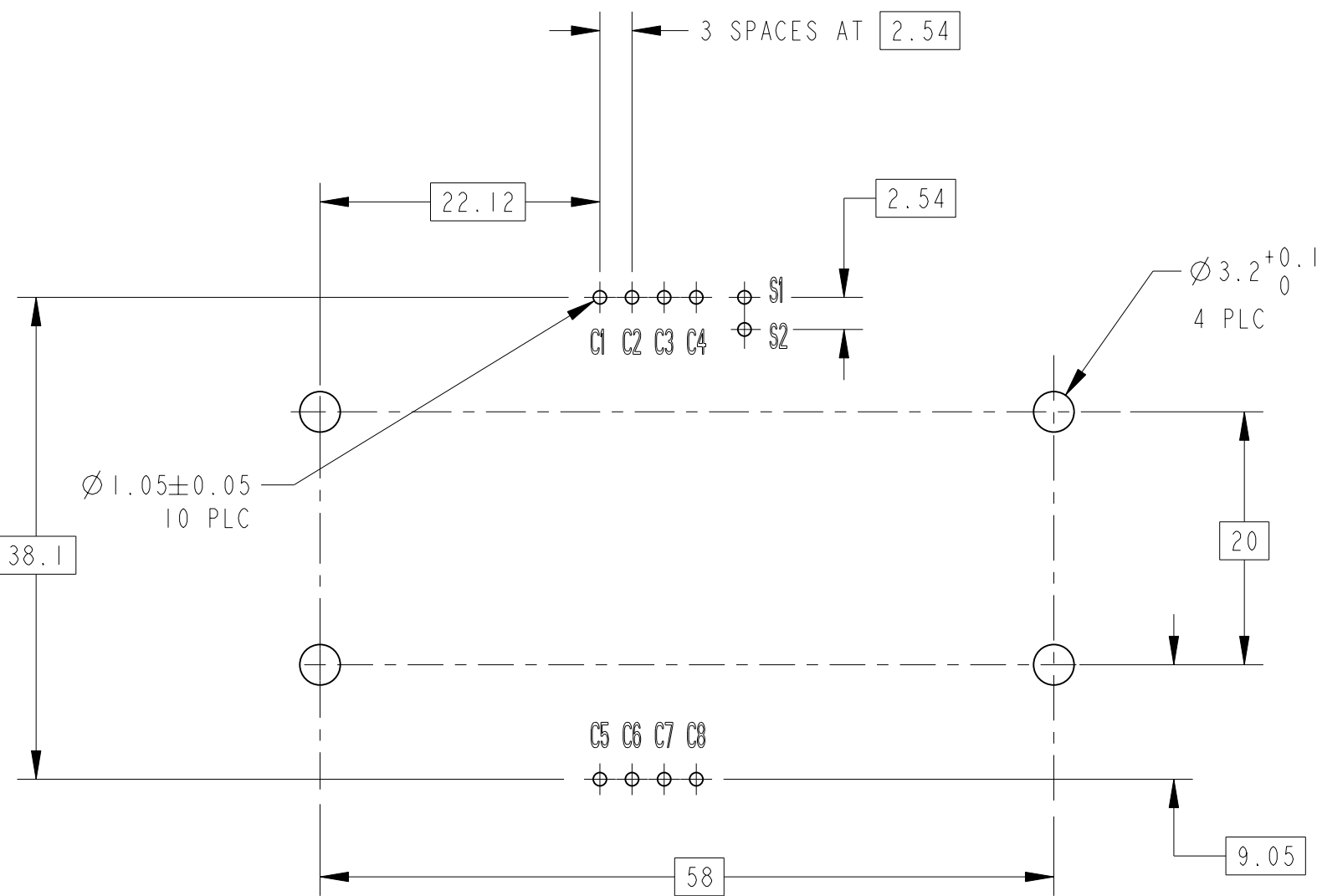
THIS DRAWING IS A CONTROLLED DOCUMENT.		DWN R. Coolen 16 Dec 04	TE Connectivity	
DIMENSIONS: mm		CHK W. Jansen		
TOLERANCES UNLESS OTHERWISE SPECIFIED:		APVD P. Jaeger	NAME SMART CARD READER 0.76mm, PCB MOUNT THROUGH HOLE, RAISED PROFILE BLADE SWITCH NORMALLY CLOSED	
0 PLC ±0.5	1 PLC ±0.3	PRODUCT SPEC 108-15202	SIZE A2	CAGE CODE
2 PLC ±0.03	3 PLC ±0.001	APPLICATION SPEC	DRAWING NO C-5953438	RESTRICTED TO -
4 PLC ±0.001	ANGLES ±	WEIGHT 9 g	SCALE 2:1	SHEET 1 OF 2
FINISH		CUSTOMER DRAWING	REV D	

THIS DRAWING IS UNPUBLISHED. RELEASED FOR PUBLICATION  
 © COPYRIGHT - ALL RIGHTS RESERVED.



SCALE 2:1

STANDOFF AREA  
 SPACE WITHOUT COMPONENTS  
 (CONNECTOR SIDE)

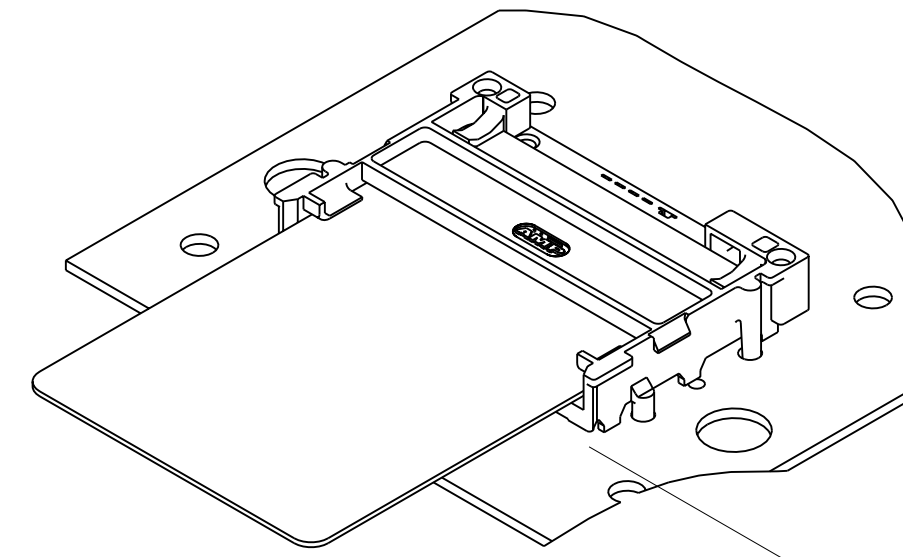


POSITION TOLERANCE FOR ALL HOLES  $\pm \phi 0.1$

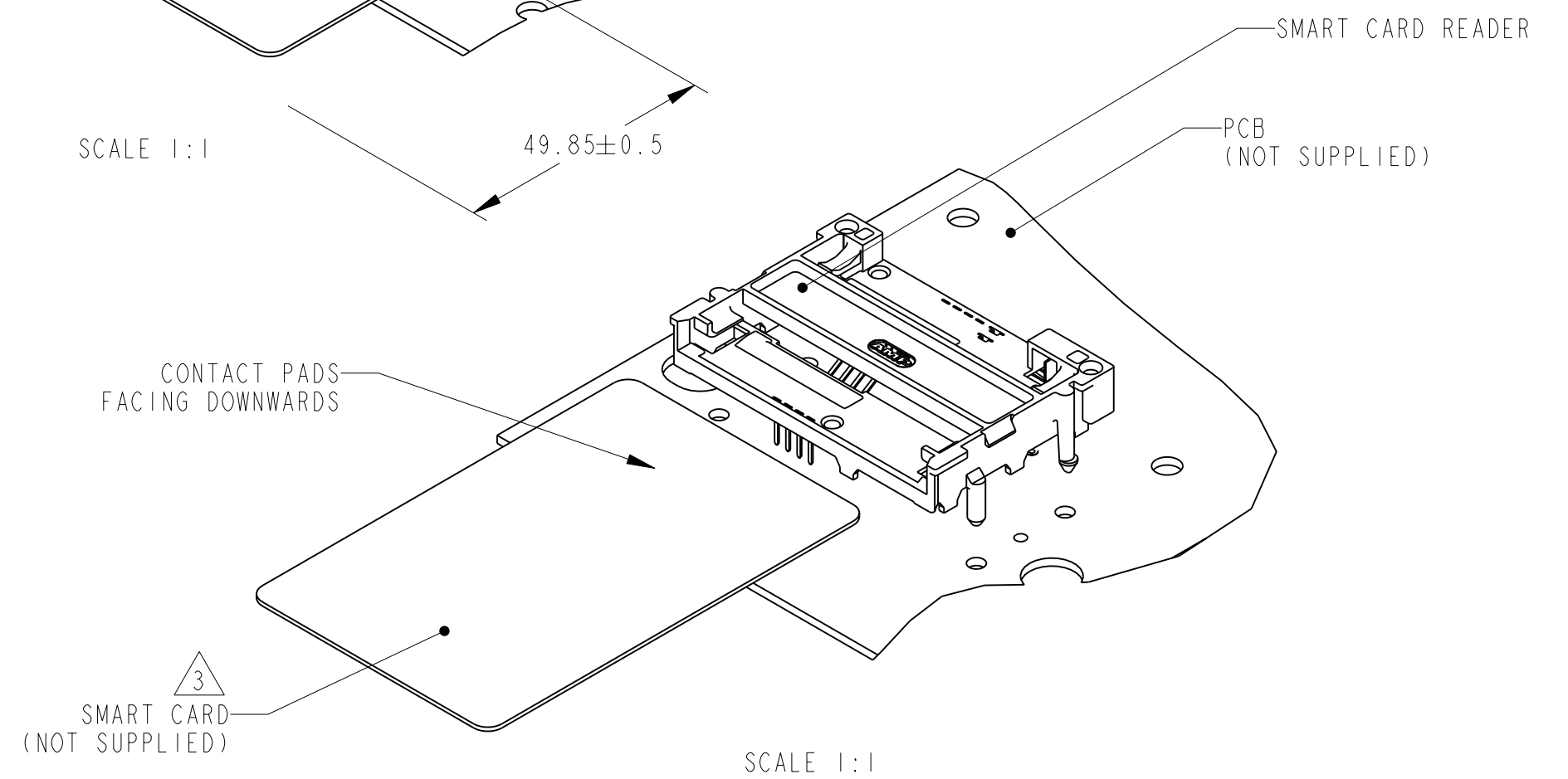
PC BOARD THICKNESS 1.57±0.1 (.062)  
 (CONNECTOR SIDE)

RECOMMENDED PCB LAYOUT

LOC	DIST	REVISIONS			
P	LTR	DESCRIPTION	DATE	DWN	APVD
IR	-	SEE SHEET 1	-	-	-



SCALE 1:1



PCB MOUNTING CONFIGURATION

THIS DRAWING IS A CONTROLLED DOCUMENT.		DWN R. Coolen 16 Dec 04	TE Connectivity	
DIMENSIONS: mm		CHK W. Jansen		
TOLERANCES UNLESS OTHERWISE SPECIFIED:		APVD P. Jaeger	PRODUCT SPEC	SIZE A2
0 PLC ±0.5 1 PLC ±0.3 2 PLC ±0.03 3 PLC ±0.001 4 PLC ±0.0001 ANGLES ±		APPLICATION SPEC	RESTRICTED TO	SCALE 2:1
MATERIAL		WEIGHT	CAGE CODE	SHEET 2 OF 2
FINISH		CUSTOMER DRAWING	DRAWING NO. C-5953438	REV D