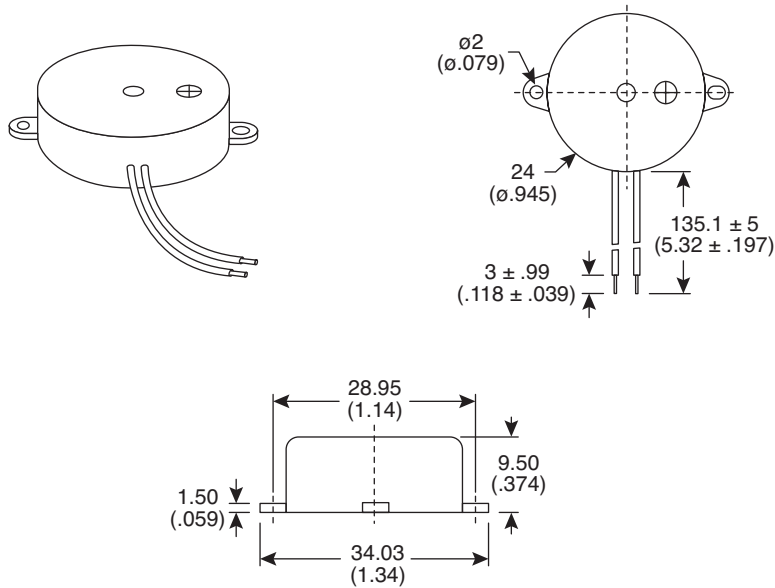


Part Number:

254-20C6-ROX

Piezoelectric Buzzer (Self-Drive)



KT-400265

Mechanical Specifications:

- Operating temperature: -20°~+105°C

Electrical Specifications:

- Sound pressure level: 80dB min. @ 9VDC, 30cm
- Oscillating frequency: 3.4±.5KHz continuous
- Current: 6mA max. 6VDC
- Input voltage: 3~30VDC

Materials:

- Weight: 3.0g
- Leads: 28AWG
- Case: ABS

Note:

- RoHS Compliant by Exemption