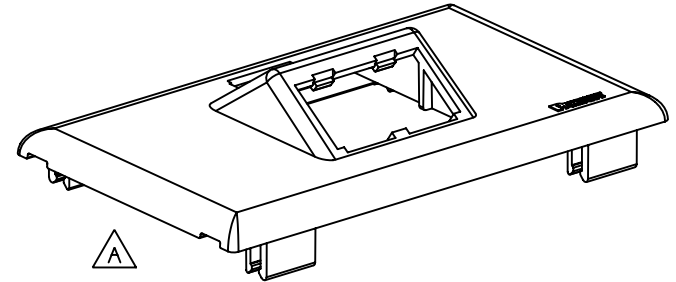
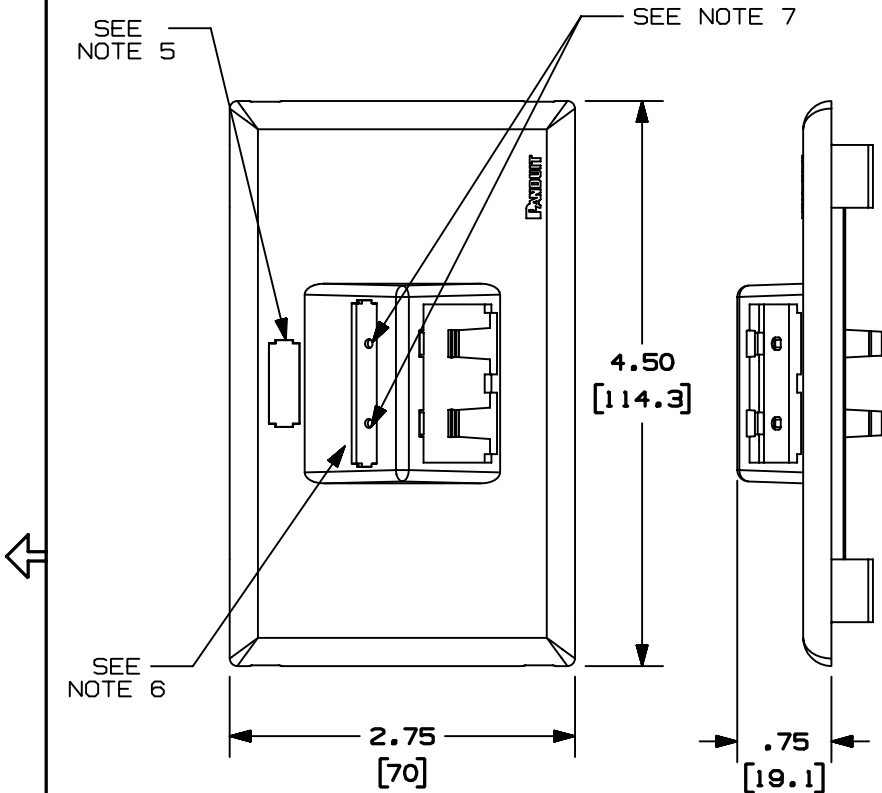


THIS COPY IS PROVIDED ON A RESTRICTED BASIS AND IS NOT TO BE USED IN ANY WAY DETRIMENTAL TO THE INTERESTS OF PANDUIT CORP.

PANDUIT P/N	WEIGHT
UIT70FH2	.07 LB/PC (35g/PC)
OF70FH2	

**NOTES:**

1. SEE CURRENT CATALOG FOR ADDITIONAL PART SUFFIXES TO INDICATE COLOR AND OR PACKAGE QUANTITY.
2. THE UIT70FH2 ACCEPTS TWO (2) MINI-COM MODULES.
3. DIMENSIONS IN PARENTHESIS ARE IN METRIC.
4. THE UIT70FH2 FACEPLATE CAN BE USED WITH PANDUIT SURFACE RACEWAY SYSTEMS AND BOXES THAT ACCEPT 70mm SNAP-ON FACEPLATES (INCLUDES: T-70, TWIN-70, TE70, TG-70, ETC.)
5. POCKET TO BE USED WITH PANDUIT PART NUMBER UILC1\*\*.
6. POCKET TO BE USED WITH PANDUIT PART NUMBER UILC2\*\*.
7. POCKETS TO BE USED WITH PANDUIT PART NUMBER UICIB\*\*, UICIP\*\*, OR UICID\*\*.
8. THE OF70FH2 CAN BE USED WITH PANDUIT OFFICE FURNITURE DESK MOUNT BOX (OFR20DMB)



CAD FILENAME/LAYERS D38316BB\_DC\_UIT70FH2\_01B.prt

**PANDUIT** CORP TINLEY PARK, ILLINOIS

ULTIMATE I.D. TWO MINI-COM MODULE  
HORIZONTAL SLOPED SNAP-ON FACEPLATE  
(UIT70FH2 & OF70FH2)  
CUSTOMER DRAWING

UNLESS OTHERWISE SPECIFIED, DIMENSIONAL TOLERANCES ARE:  
(.X) ± (.XXX) ±  
(.XX) ± .03(.8) ANGLES ±

UNLESS OTHERWISE SPECIFIED, ALL DIMENSIONS ARE GIVEN IN INCHES, THIRD ANGLE PROJECTION.

REV	DATE	BY	CHK	DESCRIPTION	ECN	R	CUST	SUP	GMBH
2	04-25-03	JBN	PM	D. ADDED NOTE 8 C. ADDED PART NUMBER OF70FH2	38316-05	RGRO	RGRO		
1	07-10-02	JHEP	RGRO	B. REVISED NOTE 5 A. REVISED MODEL	38316-05	RGRO			
R	12-06-01	MSO	CEO	RELEASED TO PRODUCTION	38316-05	RGRO			

DRAWN BY MSO	MAT'L: PVC	SCALE NONE
DATE 12-06-01	CHK'D CEO	DRAWING NO. 38316-05
		DWG A SIZE