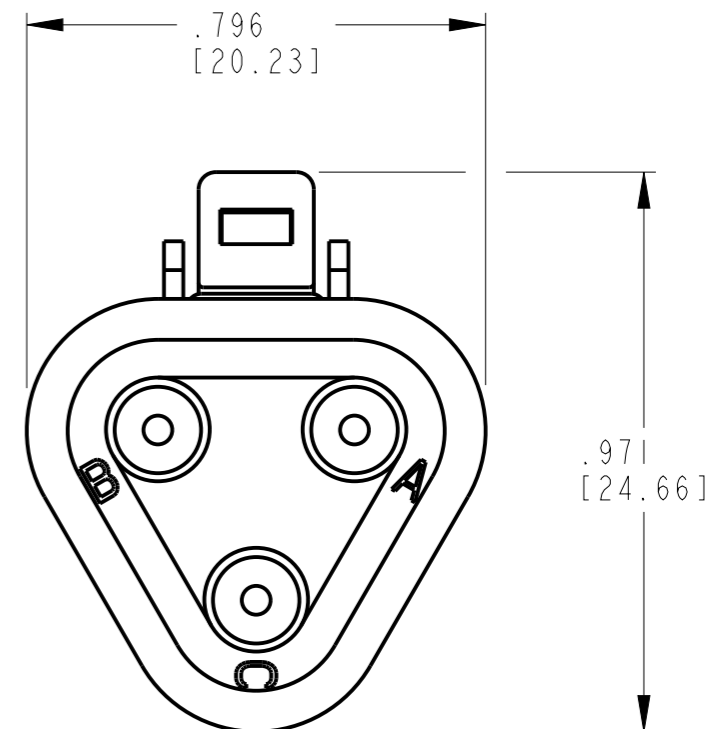
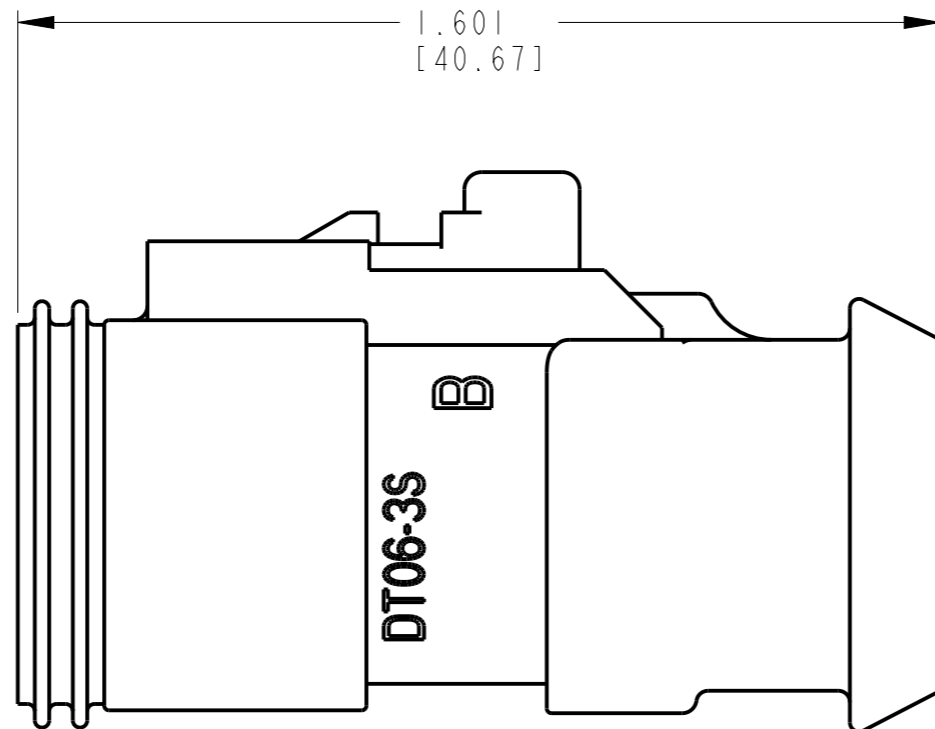
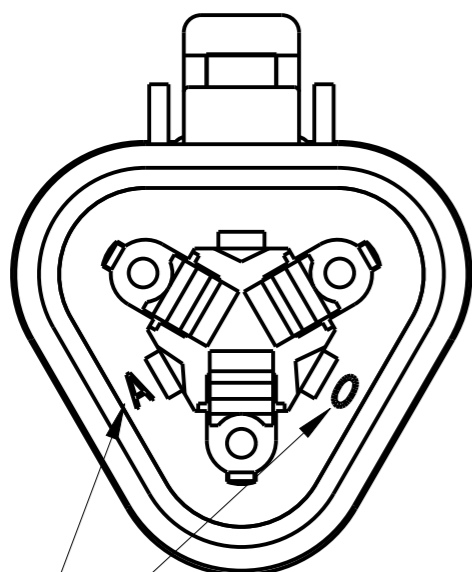
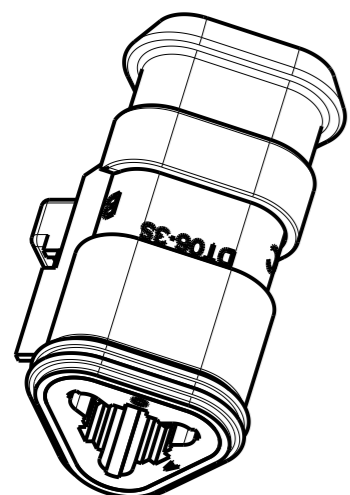


THIS DRAWING IS UNPUBLISHED.
 RELEASED FOR PUBLICATION 2013
 (C) COPYRIGHT 2013 BY TE CONNECTIVITY ALL RIGHTS RESERVED.

LOC	DIST	REVISIONS			
P	LTR	DESCRIPTION	DATE	DWN	APVD
	NC	NEW RELEASE PER E.O. A14881	8-18-95	CW	RDR
	A	REVISED PER E.O. P19534	5-17-07	CW	RDR
	A1	REVISED PER ECO-14-006030	4-22-14	JA	DM



DATE CODE: MONTH IS REPRESENTED BY SEQUENTIAL ALPHA CHARACTERS. EX: A=JANUARY
 YEAR IS REPRESENTED BY THE LAST NUMERICAL DIGIT. EX: 0=2010


CONTACT SIZE	MIN. INSUL O.D.	MAX. INSUL O.D.	WIRE RANGE [mm ²] REF ONLY
16	.088 [2.24]	.145 [3.68]	14-20 AWG [2.0-0.5]

3 SHELL MATERIAL: PLASTIC; COLOR: GREY
 SEAL MATERIAL: RUBBER

2. THIS PLUG MATES WITH THE DT04-3P-**** RECEPTACLE AND USES W3S WEDGE LOCK (**** = ALL MODIFICATIONS). CONSULT FACTORY FOR MODIFICATIONS.

1 FOR CONTACTS AND WIRE PERFORMANCE AND APPLICATION CHARACTERISTICS SEE ENVELOPE DRAWING 0425-015-0000 AND 0425-017-0000.

NOTES:

THIS DRAWING IS A CONTROLLED DOCUMENT.		DWN 05MAR2014 JAIME C. APOSTOL		 TE Connectivity	
DIMENSIONS: INCHES [mm]		CHK 22APR2014 RUSSELL MESSENGER			
TOLERANCES UNLESS OTHERWISE SPECIFIED:		APVD 22APR2014 DAVID MEYER		NAME 3 WAY PLUG -E008 MOD DT SERIES	
0 PLC ± 1 PLC ± 2 PLC ± 3 PLC ±.025 [.64] 4 PLC ± ANGLES ±0°30'0"		PRODUCT SPEC		SIZE A3	
MATERIAL 3		APPLICATION SPEC		CAGE CODE 4AFU8	
FINISH		WEIGHT 8.70g		DRAWING NO DT06-3S-E008	
		CUSTOMER DRAWING		RESTRICTED TO -	
		SCALE 3:1		SHEET 1 OF 1 REV A1	