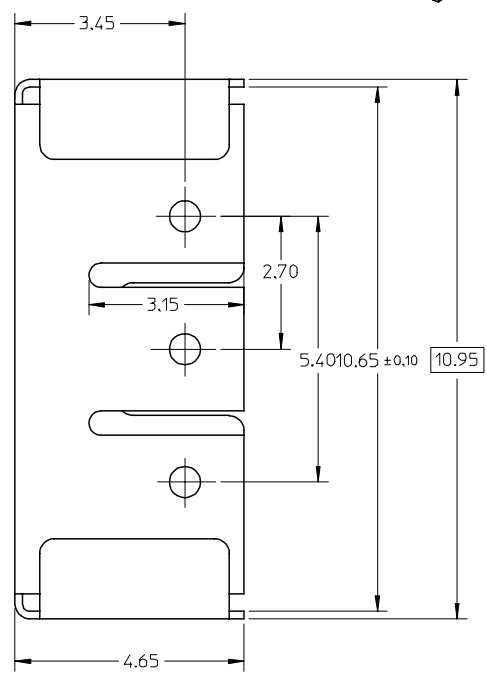
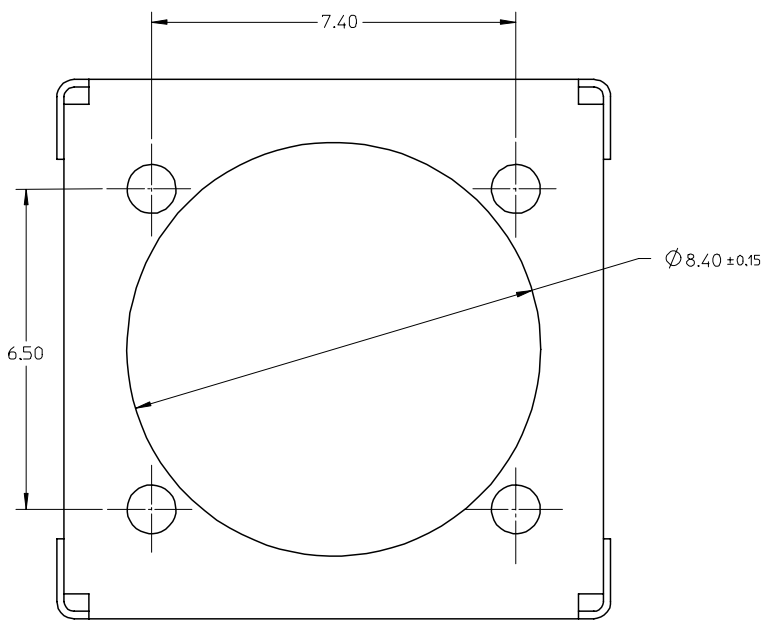
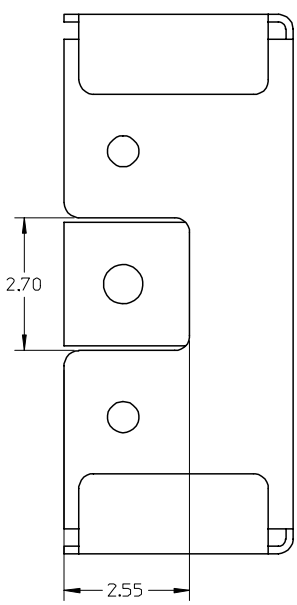
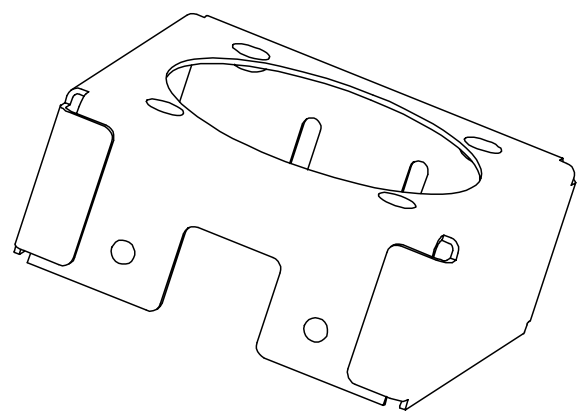
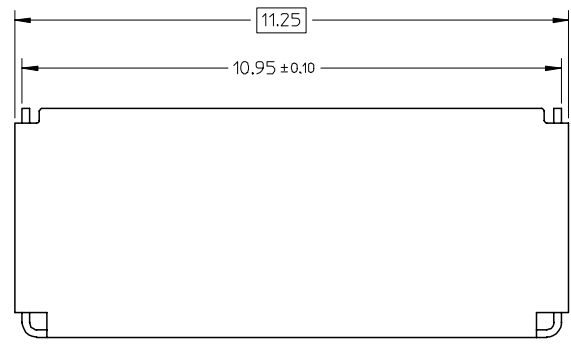


10 9 8 7 6 5 4 3 2 1

F
E
D
C
B
A

F
E
D
C
B
A



Notes:
1.MATERIALS:STAINLESS STEEL.
2.FINISH:NONPLATED.

RELEASE	2007/03/01
EC NO: SH2007-0619	2007/03/06
DRWN: IHE	2007/03/06
CHKD: XIXU	2007/03/06
APPR: JNCHEN	2007/03/06
REV	DESCRIPTION

QUALITY SYMBOLS	DESCRIPTION
▽=0	
∇=0	

GENERAL TOLERANCES (UNLESS SPECIFIED)	
mm	INCH
4 PLACES ± ---	± ---
3 PLACES ± ---	± ---
2 PLACES ± 0.25	± ---
1 PLACE ± 0.25	± ---
ANGULAR ± 1 °	
DRAFT WHERE APPLICABLE MUST REMAIN WITHIN DIMENSIONS	

DIMENSION STYLE	
MM ONLY	
DRAWN BY	DATE
IVAN HE	2006/06/16
CHECKED BY	DATE
XIXU	2006/06/16
APPROVED BY	DATE
JENNY CHEN	2006/06/16
MATERIAL NO.	
473370005	
SIZE	
A3	

SCALE	DESIGN UNITS	THIRD ANGLE PROJECTION
10:1	METRIC	
TITLE		
TOP COVER FOR CAMERA SOCKET 8.5*8.5 TOP MOUNT		
MOLEX INCORPORATED		
DOCUMENT NO.	SHEET NO.	
SD-47337-002	1 OF 1	
THIS DRAWING CONTAINS INFORMATION THAT IS PROPRIETARY TO MOLEX INCORPORATED AND SHOULD NOT BE USED WITHOUT WRITTEN PERMISSION		

9 8 7 6 5 4 3 2 1