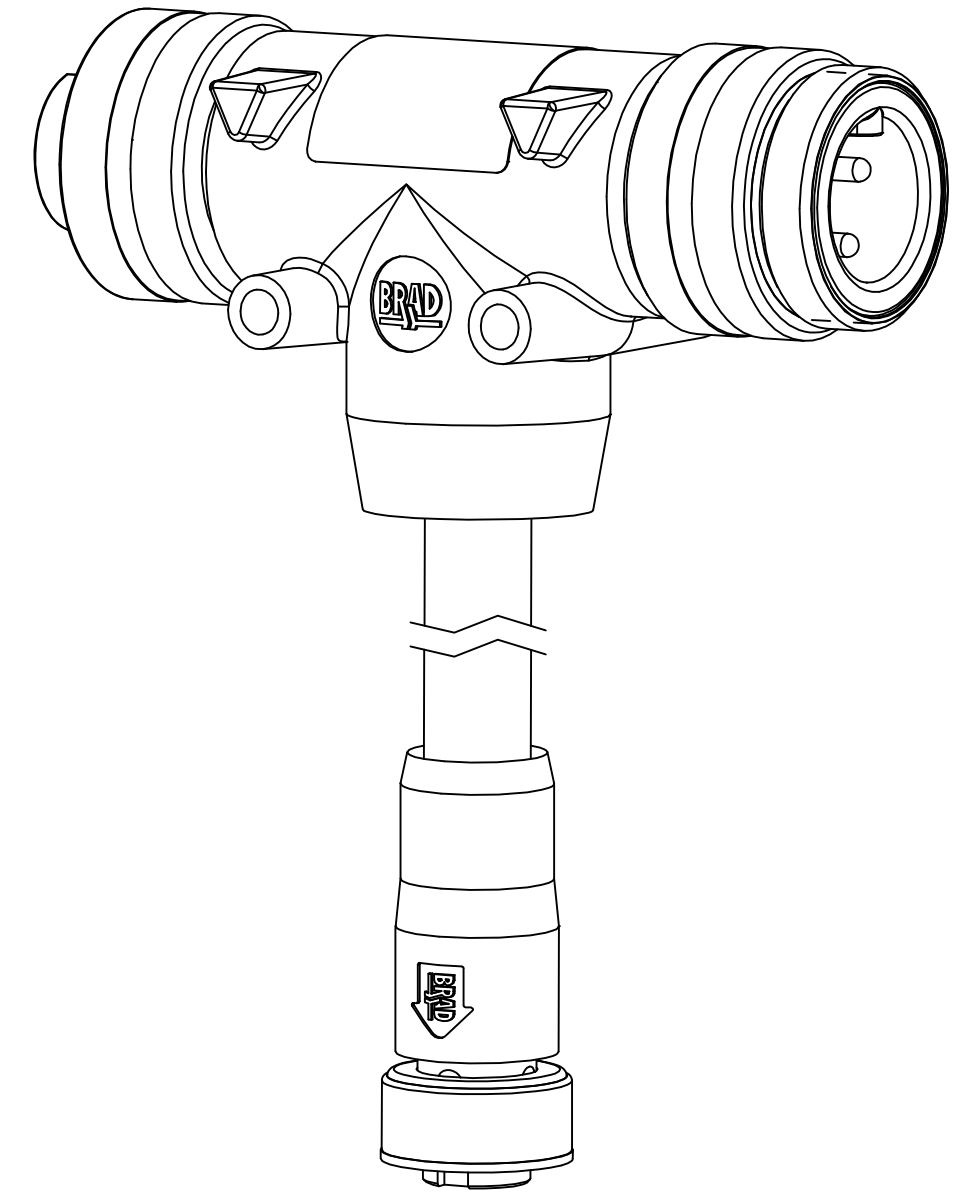
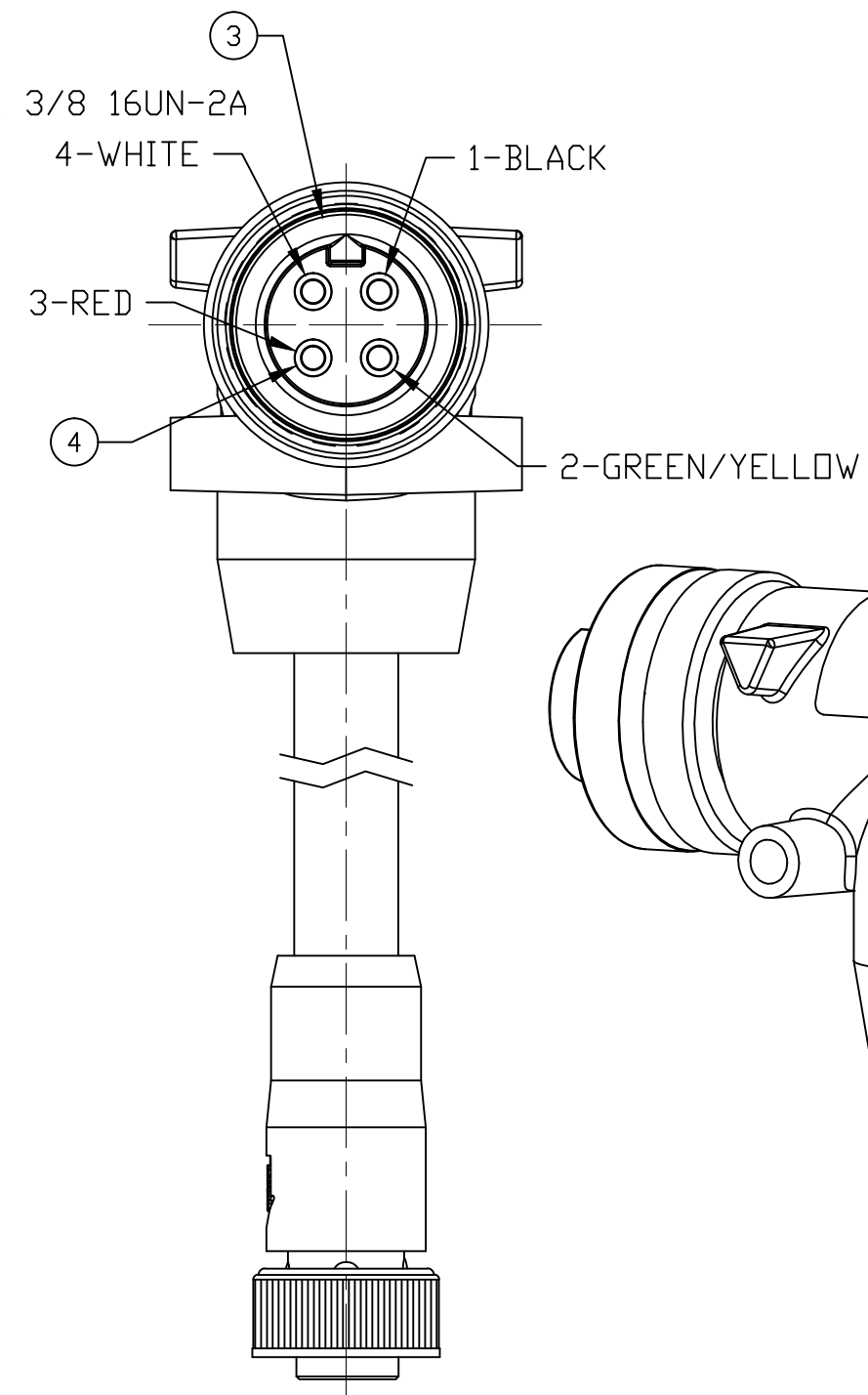
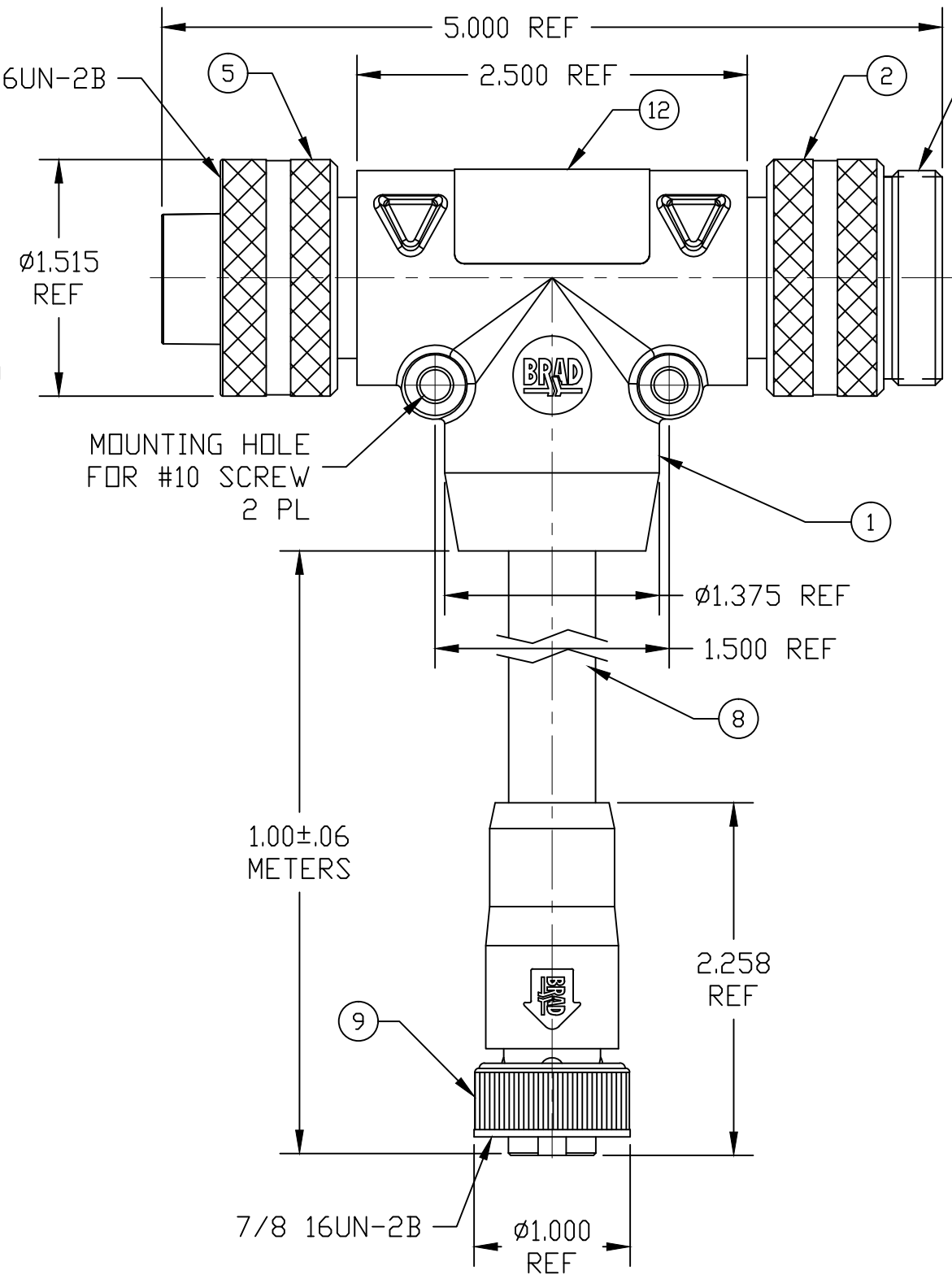
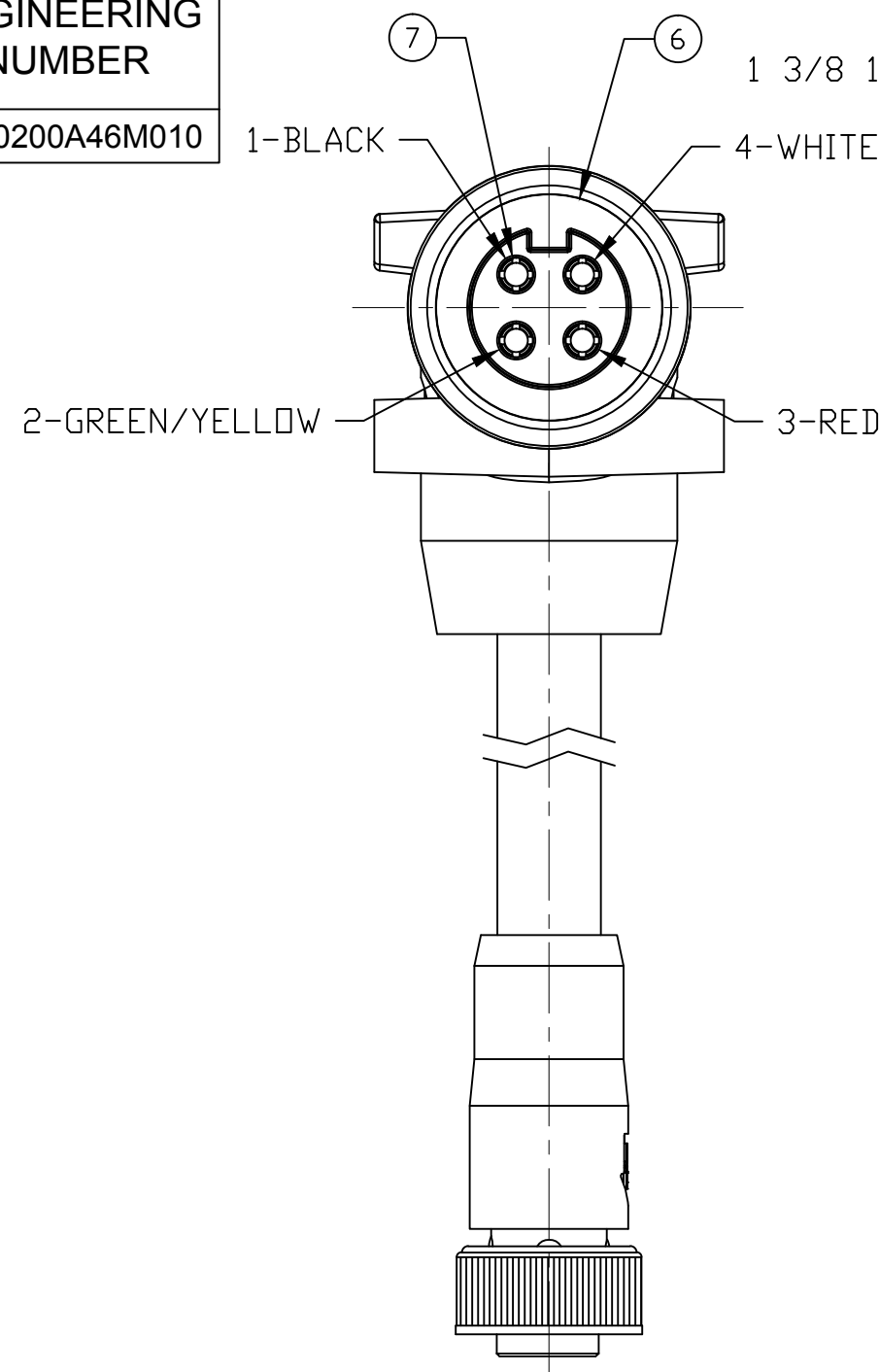
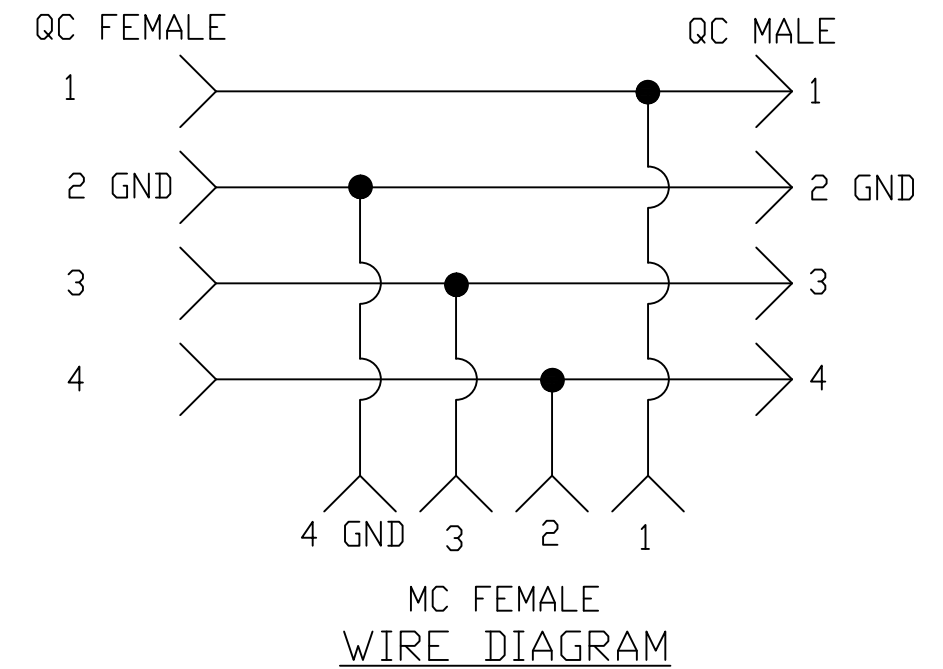
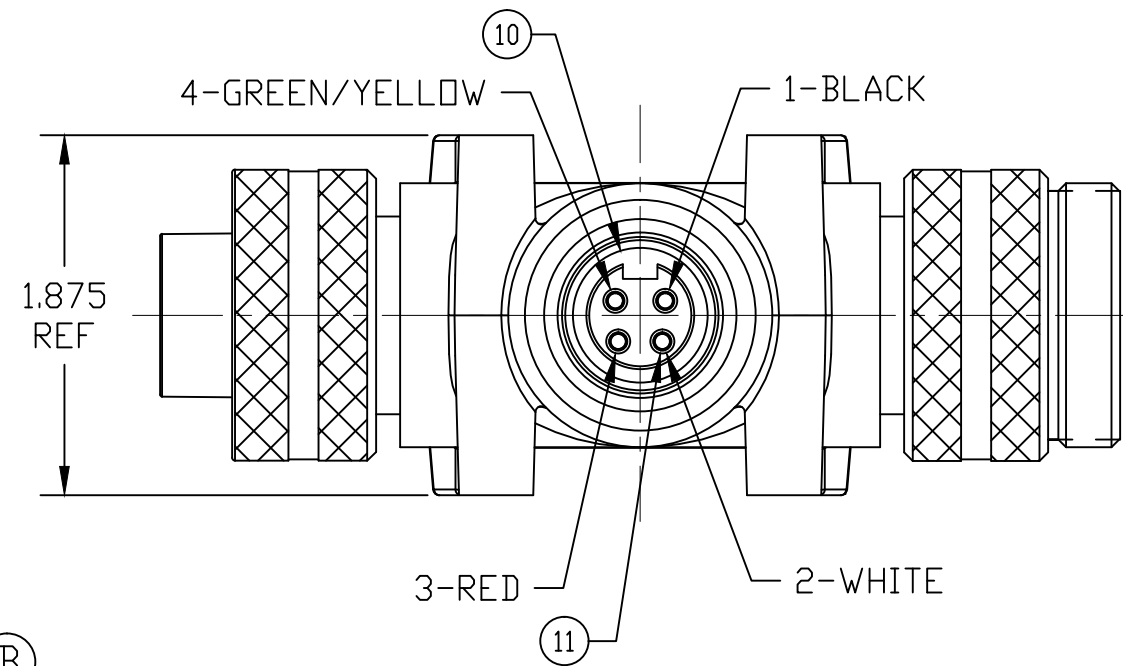


PART NUMBER	ENGINEERING NUMBER
1300680075	TC40200A46M010



- NOTES:**
- MATERIAL: AS NOTED
 - FINISH: AS NOTED
 - ELECTRICAL:
VOLTAGE: 480V PER IEC60664
600V PER UL2237
MAX THRU CURRENT: 32A
MAX DROP CURRENT: 15A (B)
 - TEMP RATING: -20° TO +90°C
 - PROTECTION: IP67 (WHEN MATED)
 - CERTIFICATION:
UL LISTED/CSA CERTIFIED FILE NO: E258922



ITEM	DESCRIPTION	MATERIAL	FINISH
12	LABEL	POLYESTER	BLACK/DRANGE
11	MC SOCKET CONTACT	COPPER ALLOY	GOLD PLATED
10	MC FEMALE INSERT	PVC	BLACK
9	MC COUPLING NUT	ZINC ALLOY	BLACK E-COAT
8	CABLE, 14AWG-3 TYPE TC-ER, STDDW	PVC	GRAY
7	QC SOCKET CONTACT	COPPER ALLOY	GOLD PLATED
6	QC FEMALE INSERT	PVC	BLACK
5	QC FEMALE COUPLING NUT	ALUMINUM	CLEAR ANODIZE
4	QC PIN CONTACT	COPPER ALLOY	GOLD PLATED
3	QC MALE INSERT	PVC	BLACK
2	QC MALE COUPLING NUT	ALUMINUM	CLEAR ANODIZE
1	OVERMOLD	PVC	GRAY

REV D	DESCRIPTION	QUALITY SYMBOL
B	REV D	▽=0 ∇=0

GENERAL TOLERANCES (UNLESS SPECIFIED)	
	mm INCH
4 PLACES	±.005 ±.0005
3 PLACES	±.005 ±.0005
2 PLACES	±.005 ±.0005
1 PLACE	±.005 ±.0005
ANGULAR ±.005°	
DRAFT WHERE APPLICABLE MUST REMAIN WITHIN DIMENSIONS	

DIMENSION STYLE	
INCH	
DRAWN BY	DATE
KJOZWIK	2010/01/18
CHECKED BY	DATE
BWOODMAN	2010/01/18
APPROVED BY	DATE
JFMURPHY	2010/01/20
MATERIAL NO.	SEE TABLE
SIZE	C

SCALE	DESIGN UNITS	THIRD ANGLE PROJECTION	
---	INCH		
TITLE			
BRAD POWER			
QC 4 POLE TEE			
W/4 POLE MC CBL DROP			
MOLEX INCORPORATED		SHEET NO.	
SD-130068-016		1 OF 1	
THIS DRAWING CONTAINS INFORMATION THAT IS PROPRIETARY TO MOLEX INCORPORATED AND SHOULD NOT BE USED WITHOUT WRITTEN PERMISSION			