

4

3

2

1

THIS DRAWING IS UNPUBLISHED.

RELEASED FOR PUBLICATION

2011

© COPYRIGHT 2011

ALL RIGHTS RESERVED.

LOC

DIST

REVISIONS

P	LTR	DESCRIPTION	DATE	DWN	APVD
4		REVISED	02MAY13	KR	JC
5		UPDATED	22JUL2013	MZ	JC
6		REVISED LATCH SHAPE	09AUG2013	KR	JC
A		PARTS RELEASED FOR PRODUCTION	12NOV2013	MZ	JC

Side view of the connector housing. Callouts 1-10 point to various features: 1 (material), 2 (polarization keys), 3 (ways I.D.), 4 (voltage and current ratings), 5 (rib closing cavities), 6 (TE logo), 7 (TE part number), 8 (data code and cavity I.D.), 9 (agency approval logo area), 10 (visual indicator for PE conductor).

Top view of the connector housing showing the circular arrangement of pins. A diameter dimension of $\text{Ø}18.30$ is indicated.

Front view of the connector housing. Dimensions 56.0 and $\text{Ø}22.8$ are shown. Callouts 3, 4, 6, and 12 point to specific features.

Another side view of the connector housing, highlighting callout 10.

NOTES:

1 MATERIAL: PA GF (NATURAL AND BLACK COLOUR)
 2 ALL POLARIZATION KEYS SHOWN FOR REF ONLY
 3 WAYS I.D.
 4 VOLTAGE AND CURRENT RATINGS
 5 RIB CLOSING CAVITIES BY CHANGE OVER
 6 TE LOGO
 7 TE PART NUMBER
 8 DATA CODE AND CAVITY I.D.
 9 AREA FOR AGENCIES APPROVAL LOGO
 10 VISUAL INDOCATOR FOR PE CONDUCTOR

11) SEE C-DRAWING 293682 (LOCKING CAP) TO GET IP 40

12 IP CODE
 13 POLARISATION KEY "TYPE D" SUITABLE FOR DALI APPLICATION

Detailed top view of the connector housing. Dimensions $\text{Ø}24.0$, $\text{Ø}20.6$, and 5.60 PITCH (TYP X7) are shown. Callouts 2 and 5 are present.

Two views of the connector housing at a scale of 1:1. The left view shows the front, and the right view shows the back.

SCALE 1:1

THIS DRAWING IS A CONTROLLED DOCUMENT.

DWN M. ZUCCA 31MAR2011

CHK M. ZUCCA 31MAR2011

APVD G. TURCO 31MAR2011

PRODUCT SPEC

APPLICATION SPEC

WEIGHT

Customer Drawing

DIMENSIONS:

mm

TOLERANCES UNLESS OTHERWISE SPECIFIED:

0 PLC \pm
 1 PLC ± 0.3
 2 PLC ± 0.20
 3 PLC \pm
 4 PLC \pm
 ANGLES $\pm 3^\circ$

FINISH

MATERIAL

NAME

STE TE Connectivity
 PIN HOUSING FREE HANGING
 NECTOR* M-LINE 5 POLES
 UNSEALED VERSION

SIZE

CAGE CODE

DRAWING NO

RESTRICTED TO

A3

00779

C-293616

SCALE 2:1

SHEET 1 OF 2

REV A

1470-19 (3/11)

THIS DRAWING IS UNPUBLISHED.

RELEASED FOR PUBLICATION

2011

© COPYRIGHT 2011

ALL RIGHTS RESERVED.

LOC 1 DIST -

REVISIONS

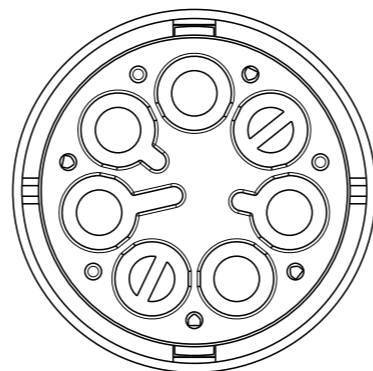
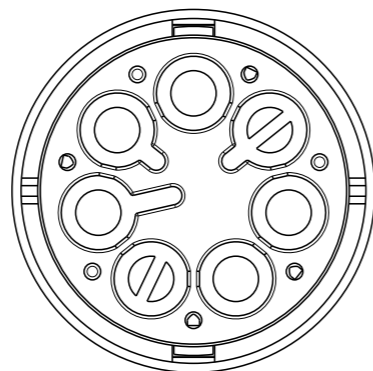
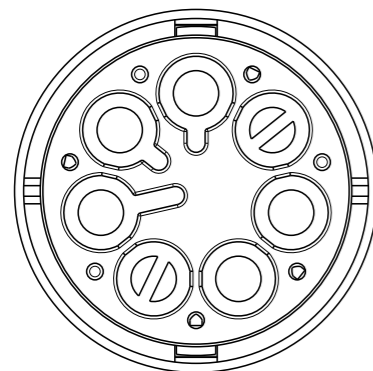
P	LTR	DESCRIPTION	DATE	DWN	APVD
-	-	SEE SHEET 1	-	-	-

POLARIZATION TYPES

POLARIZATION TYPE "A"

POLARIZATION TYPE "B"

POLARIZATION TYPE "C"



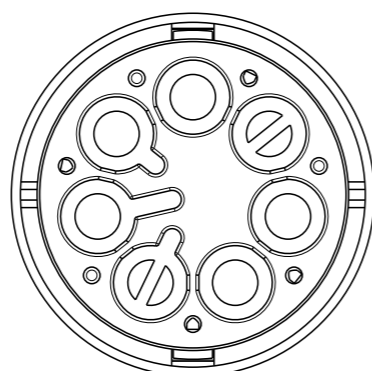
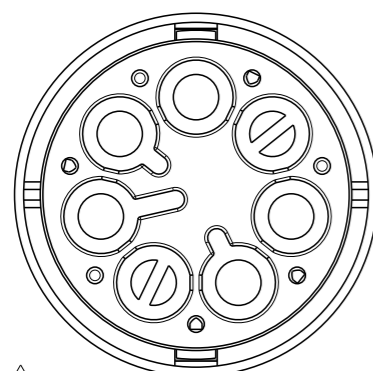
PNs 0-293616-1 AND 0-293616-1

PNs 0-293616-2 AND 0-293616-2

PNs 0-293616-3 AND 0-293616-3

POLARIZATION TYPE "D"

POLARIZATION TYPE "E"



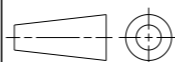
PNs 0-293616-4 AND 0-293616-4

PNs 0-293616-5 AND 1-293616-5

	E	BLACK	PIN HOUSING FREE HANG. NECTOR* M-LINE 5 POLES	A	1-293616-5
	D	BLACK	PIN HOUSING FREE HANG. NECTOR* M-LINE 5 POLES	A	1-293616-4
	C	BLACK	PIN HOUSING FREE HANG. NECTOR* M-LINE 5 POLES	A	1-293616-3
	B	BLACK	PIN HOUSING FREE HANG. NECTOR* M-LINE 5 POLES	A	1-293616-2
	A	BLACK	PIN HOUSING FREE HANG. NECTOR* M-LINE 5 POLES	A	1-293616-1
	E	NATURAL	PIN HOUSING FREE HANG. NECTOR* M-LINE 5 POLES	A	0-293616-5
	D	NATURAL	PIN HOUSING FREE HANG. NECTOR* M-LINE 5 POLES	A	0-293616-4
	C	NATURAL	PIN HOUSING FREE HANG. NECTOR* M-LINE 5 POLES	A	0-293616-3
	B	NATURAL	PIN HOUSING FREE HANG. NECTOR* M-LINE 5 POLES	A	0-293616-2
	A	NATURAL	PIN HOUSING FREE HANG. NECTOR* M-LINE 5 POLES	A	0-293616-1
NOTE	POL. KEYING	COLOUR	DESCRIPTION	REV.	PART NUMBER

THIS DRAWING IS A CONTROLLED DOCUMENT.

DIMENSIONS: mm



TOLERANCES UNLESS OTHERWISE SPECIFIED:

0 PLC	±
1 PLC	±0.3
2 PLC	±0.20
3 PLC	±
4 PLC	±
ANGLES	±3°
FINISH	-

MATERIAL -

DWN M. ZUCCA 31MAR2011

CHK M. ZUCCA 31MAR2011

APVD G. TURCO 31MAR2011

PRODUCT SPEC -

APPLICATION SPEC -

WEIGHT -

Customer Drawing



NAME
PIN HOUSING FREE HANGING NECTOR* M-LINE 5 POLES UNSEALED VERSION

SIZE	CAGE CODE	DRAWING NO	RESTRICTED TO
------	-----------	------------	---------------

A300779 C-293616

SCALE 2:1 SHEET 2 OF 2 REV A