

THIS DRAWING IS UNPUBLISHED.

RELEASED FOR PUBLICATION JULY ,2006.

REVISIONS

© COPYRIGHT 2006 By -

ALL RIGHTS RESERVED.

P	LTR	DESCRIPTION	DATE	DWN	APVD
	C	ECR-16-006137	29APR16	BW	RS

NOTES:

- 1 PACK IN ACCORDANCE WITH AMP SPEC 107-3275
- 2 100 TRAY PACK IN ACCORDANCE WITH AMP SPEC 107-3275
- 3 Ag PLATING
- 4 THIS ITEM MUST BE WHITE

5 ELECTRICAL CHARACTERISTICS

FREQUENCY RANGE: DC - 4 GHz
 NOMINAL IMPEDANCE: 50 Ohm
 INSULATION RESISTANCE: 5000 MOhm
 WORKING VOLTAGE: 500 Volts RMS at Sea Level
 DIELECTRIC WITHSTAND VOLTAGE: 1500 Volts RMS Max
 CONTACT RESISTANCE:
 CENTRE CONTACT: 1.50 mOhm Max
 OUTER CONTACT: 0.20 mOhm Max
 VSWR @ 4GHz: 1.30:1 Max
 INSERTION LOSS dB @ x 3 GHz: 0.20 Max

6 MECHANICAL CHARACTERISTICS

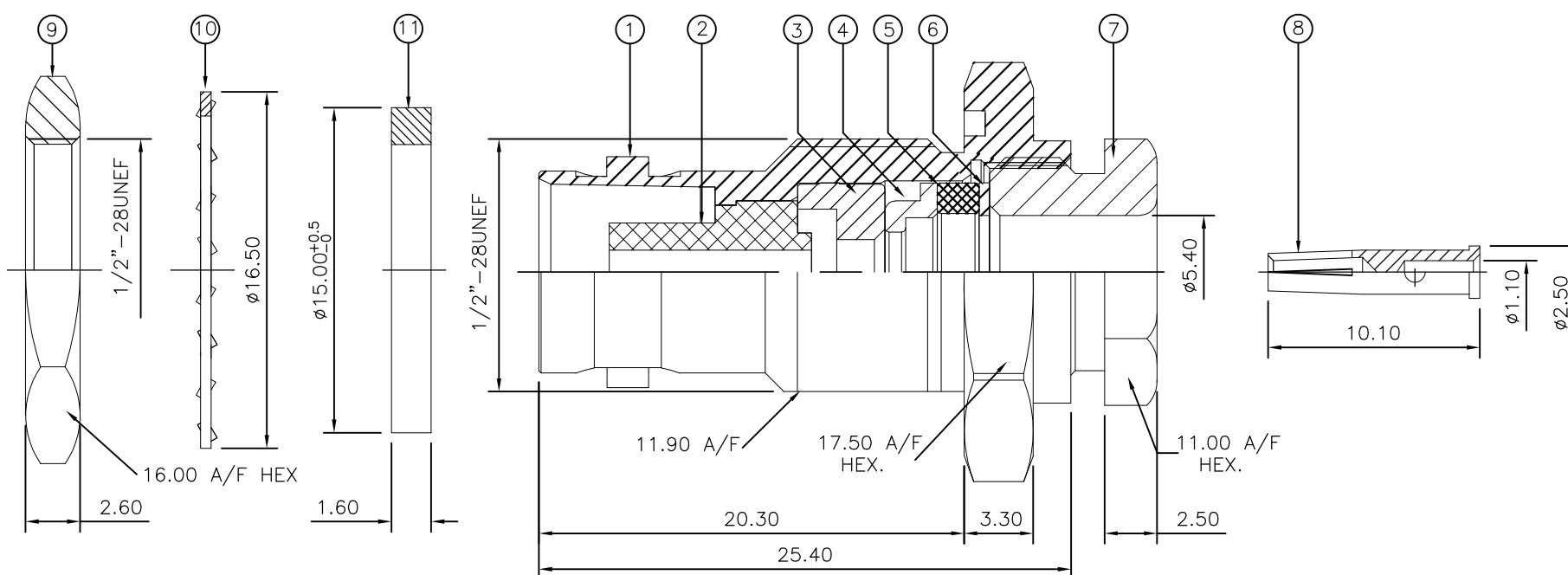
COUPLING NUT RETENTION FORCE: N/A
 CABLE RETENTION FORCE: 170N Min
 CLAMP NUT RECOMMENDED TORQUE: 4N
 MOUNT NUT RECOMMENDED TORQUE: 4N
 DURABILITY: 500 Cycles Min

7 ENVIRONMENTAL CHARACTERISTICS

OPERATING TEMPERATURE: -65 to +165 DegC

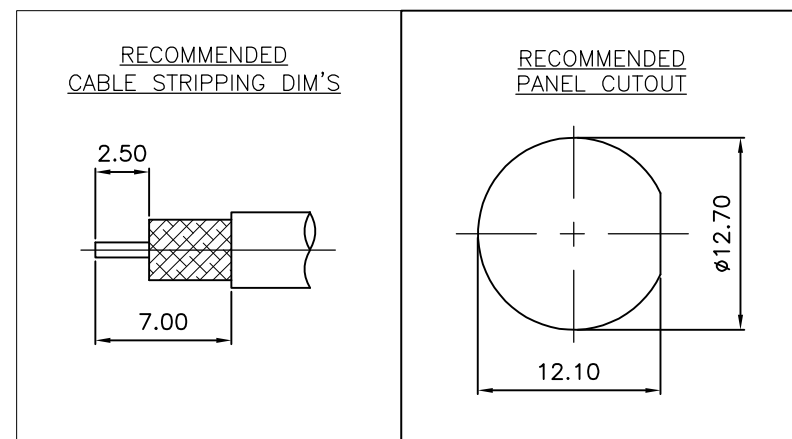
8 FOR TECHNICAL DATA REFER TO YOUR LOCAL TYCO ELECTRONICS SALES OFFICE

9 ALL DIMENSIONS ARE NOMINAL FOR REFERENCE ONLY UNLESS OTHERWISE STATED



QTY	QTY PER ASSY	MATERIAL	DESCRIPTION	ITEM
1	1	SILICON RUBBER	GASKET	11
1	1	BRASS	LOCKWASHER	10
1	1	BRASS	HEX. NUT	9
1	1	BRASS	CONTACT	8
1	1	BRASS	CLAMP NUT	7
1	1	BRASS	WASHER	6
1	1	SILICON RUBBER	GASKET	5
1	1	BRASS	SLEEVE	4
1	1	BRASS	WASHER	3
1	1	PTFE	INSULATION	2
1	1	BRASS	BODY	1
6--0	1--0			

QUANTITY PER ASSY PARTS LIST



THIS DRAWING IS A CONTROLLED DOCUMENT.		DWN J.SANDWELL 17JUL06	STE TE Connectivity	
DIMENSIONS: mm		CHK S.PARLOW 17JUL06		
TOLERANCES UNLESS OTHERWISE SPECIFIED:		APVD F.WHEELER-KING 17JUL06	NAME BNC STRAIGHT BULKHEAD JACK MIL-CLAMP 50 OHM RG58C/U, 141A/U, URM43, 76, KX15	
0 PLC ± - 1 PLC ± - 2 PLC ± - 3 PLC ± - 4 PLC ± - ANGLES ± -		PRODUCT SPEC -	APPLICATION SPEC 411-3252	
MATERIAL SEE TABLE		FINISH -	WEIGHT 20	RESTRICTED TO -
CUSTOMER DRAWING			SIZE A3	CAGE CODE 00779
SCALE NTS			DRAWING NO C-1478148	REV C
SHEET 1 OF 1				