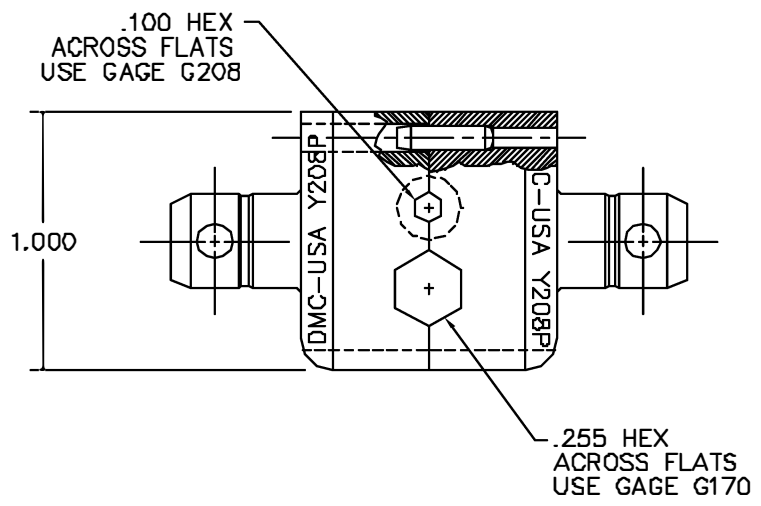
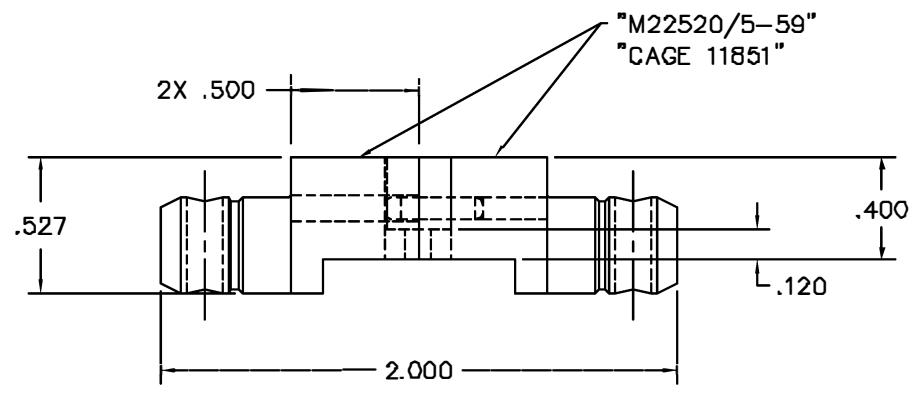



REVISIONS				
REV. SYM.	E.C.G. NUMBER	DESCRIPTION	BY DATE	APP'D DATE
1		ORIGINAL RELEASE	JS 8/3/88	DH 8/88



**UNCONTROLLED DOCUMENT
WILL NOT BE UPDATED**

<p>RESTRICTED & CONFIDENTIAL CONFIDENTIAL PROPERTY OF DANIELS MANUFACTURING CORP. NOT TO BE DISCLOSED TO OTHERS, REPRODUCED OR USED FOR ANY OTHER PURPOSE, EXCEPT AS AUTHORIZED IN WRITING BY DANIELS MANUFACTURING. MUST BE RETURNED TO DANIELS MANUFACTURING CORP. ON COMPLETION OF ORDER OR OTHER PURPOSE FOR WHICH LOANED.</p>	MATERIAL	ITEM	PART NO.	QTY.	DESCRIPTION/REMARKS			
	HEAT TREAT	DRN.	JS	DATE	 <p>DANIELS MANUFACTURING CORP. ORLANDO, FLORIDA CAGE 11857</p>			
		CHK'D.	DH	DATE				
	FINISH	APP'D.	AAM	DATE	TITLE	<p>DIE SET ENVELOPE DRAWING (M22520/5-59)</p>		
APP'D.			DATE	WHERE USED:				
DO NOT SCALE DRAWING				SIZE B	SCALE 2/1	CAD P/N Y208P-ENV	SHEET 1	OF 1
				POSTING	P/N Y208P-ENV	REV. 1		