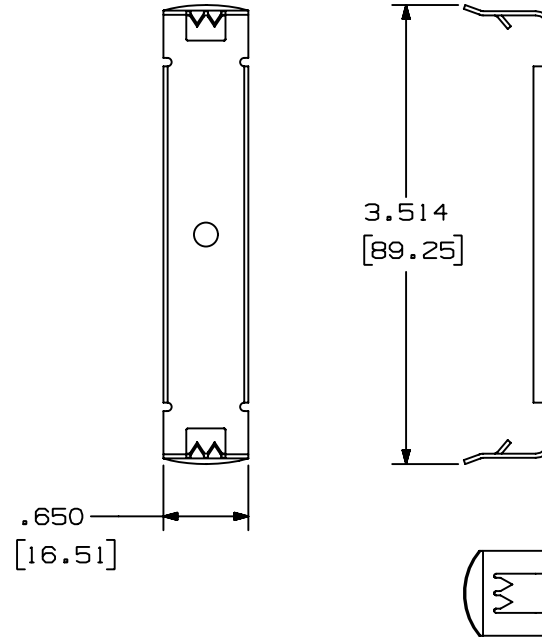


THIS COPY IS PROVIDED ON A RESTRICTED BASIS AND IS NOT TO BE USED IN ANY WAY DETRIMENTAL TO THE INTERESTS OF PANDUIT CORP.



NOTE.
 1. ALL DIMENSIONS ARE REFERENCE ONLY.
 2. DIMENSIONS IN PARENTHESES ARE METRIC.

				CAD FILENAME/LAYERS				S3F (36897-859)_01.prt	
				PANDUIT CORP. TINLEY PARK, ILLINOIS WIRING DUCT - TYPE F DUCT SNAP CLIP (S3F) MARKETING DRAWING					
1	6-16-05	JCST	MKBE	B. ADDED NOTES A. CHANGED MATERIAL		DRAWN BY JHNU	MAT'L: #21 Gage C.R.S.	SCALE FULL	
R	8-28-03	JHNU	JGG	DRAWING RELEASED		DATE 8-28-03			DRAWING NO. 36897-859
REV	DATE	BY	CHK	DESCRIPTION		CHK'D JGG			