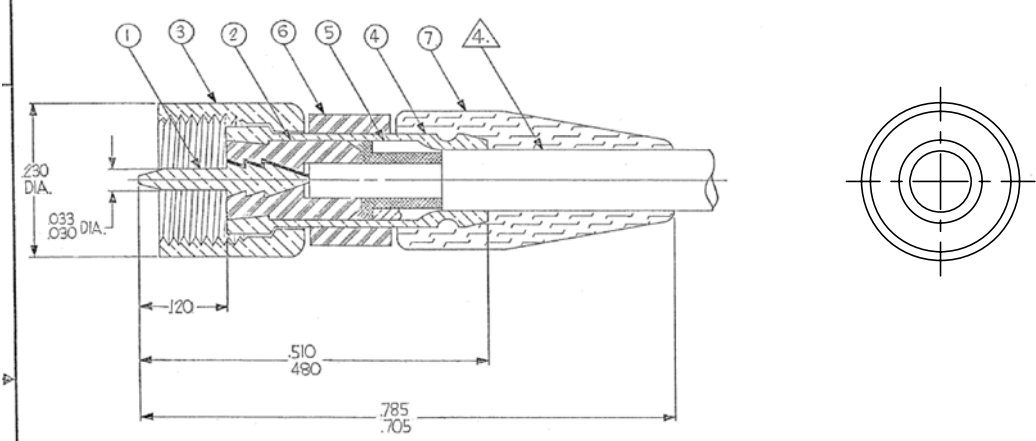


THIS DRAWING IS UNPUBLISHED. RELEASED FOR PUBLICATION  
 © COPYRIGHT BY TYCO ELECTRONICS CORPORATION. ALL RIGHTS RESERVED.

LOC	DIST	REVISIONS			
P	LTR	DESCRIPTION	DATE	OWN	APPD
	W1	DRAWING MAINTENANCE	12-16-05	JDM	MKS

REV	DATE	DESCRIPTION	APPROVED
U	26704	REVISE & REDRAW ORIGINAL RELEASE BY M.P.M. (11-10-93)	7-16-82
V	34837	ITEM 7 WAS 003-0031-0000	3-31-97
W	38487	UPDATE REV. LETTER	1-19-99
W1		SEE TYCO TITLE BLOCK	



NOTES: (UNLESS OTHERWISE SPECIFIED)  
 1. THIS CONNECTOR MATES W/ ALL S-50 JACKS & RECEPTACLES AS LISTED IN MALCO CATALOG  
 2. FOR ASSEMBLY INSTRUCTIONS SEE RF-ASMB-88.  
 3. MALCO ASSEMBLY TOOL \*010-0003-0000 REQUIRED.  
 △ CABLE ACCEPTANCE DIMENSIONS: JACKET DIAMETER .087 MAX.  
 SHIELD DIAMETER .061 MAX.  
 DIELECTRIC DIA. .050 MAX.  
 INNER CONDUCTOR DIA. .012 NOM.  
 △ SILVER PLATE PER QQ-S-365, TYPE II, GRADE A, .0002 MIN.  
 △ GOLD PLATE PER MIL-G-45204, TYPE II, GRADE C, CLASS I.  
 △ 190-32 UNF-2B THREAD  
 △ MALE DIAMOND KNURL.

ITEM NO.	DESCRIPTION	MATERIALS	QUANTITY
7	BEND RELIEF CAP	SILICONE RUBBER, 1Z-R-765	
6	PIN PROTECTOR	TEFLON, L-P-403	
5	RING	BRASS, QQ-B-626	
4	FERRULE	BRASS, QQ-B-626	
3	NUT	BRASS, QQ-B-626	
2	INSULATOR	TEFLON, L-P-403	
1	PIN CONTACT	BRASS, QQ-B-626	

UNLESS OTHERWISE SPECIFIED DIMENSIONS ARE IN INCHES TOLERANCES ARE: FRACTIONS DECIMALS ANGLES ± .XX ± .010 ± °	CONTRACT NO.	MALCO A MICRODOT COMPANY, INC. 220 PASADENA AVE., SO. PASADENA, CALIF. 91300
MATERIAL NOTED	APPROVALS DRAWN L. MATEO 6-29-92 CHECKED B. HEN 7-12-92 PR. ENG. [Signature] 7-12-92 APPD.	PROD. CODE 931 CODE CDM
FINISH NOTED	SIZE CODE IDENT NO. DRAWING NO. C 99278 032-0021-0001	
NEXT ASSY USED ON	SCALE FONT: SHEET 1 OF 1	
APPLICATION DO NOT SCALE DRAWING		

© 1992 MALCO COMPANY  
 DRAWING NO. 1217

THIS DRAWING IS A CONTROLLED DOCUMENT.		OWN D. MORALES 12-16-05	Tyco Electronics Corporation Harrisburg, PA 17105-3608
DIMENSIONS: INCHES		CHK M. STORRY 12-16-05	
TOLERANCES UNLESS OTHERWISE SPECIFIED: 0 PLC ± - 1 PLC ± - 2 PLC ± - 3 PLC ± .010 4 PLC ± - ANGLES ± -		NAME M. STORRY 12-16-05	PLUG, STRAIGHT S-50 SERIES MICRODOT P/N 032-0021-0001 TYCO P/N 1466292-1
MATERIAL	FINISH	APPLICATION SPEC	RESTRICTED TO
		WEIGHT	SIZE CAGE CODE DRAWING NO. 98278 1466292
		CUSTOMER DRAWING	SCALE NONE SHEET 1 of 1 REV W1

1466292