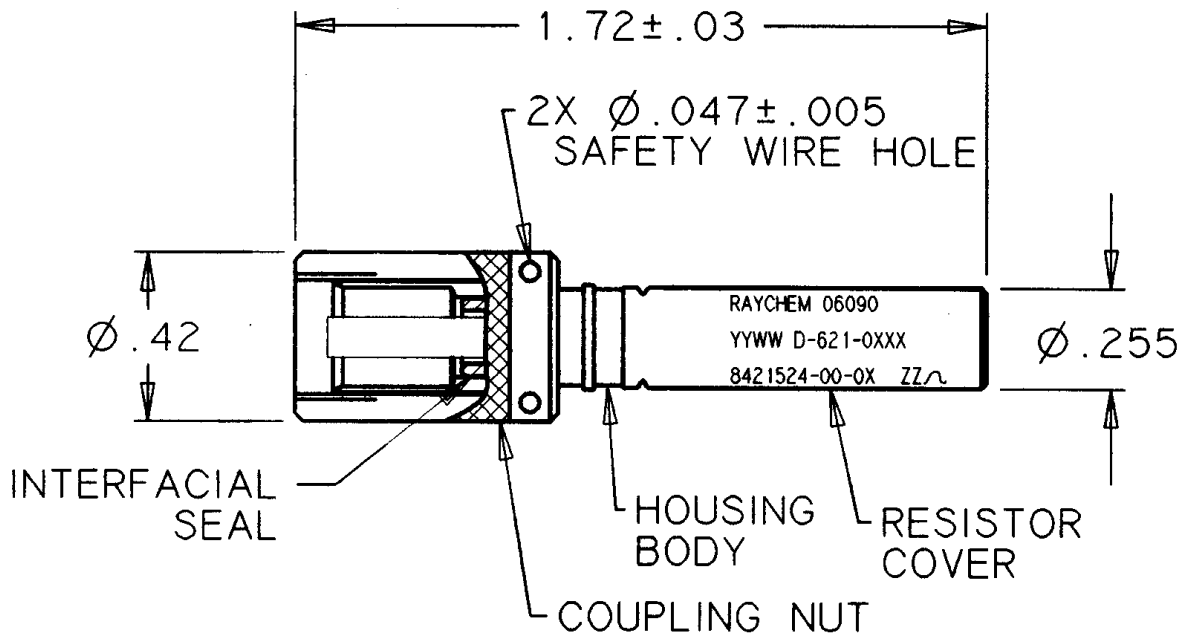


REVISIONS

| LTR | DESCRIPTION | DATE | APPROVED |
|-----|--|---------|----------|
| N | RELEASED PER E.C.N. T-8409 | 87-7 | I.M. |
| A | REVISED PER E.C.N. T-8576 | 87-9-2 | I.M. |
| B | REVISED PER E.C.N. T-9548 | 88-4-7 | I.M. |
| C | REVISED PER E.C.N. T-10386 | 88-7-15 | Z.T. |
| D | REVISED PER E.C.N. T-14157 | 90-4-10 | Z.T. |
| E | REVISED PER E.C.N. T-16949 "WAS" D-621-XXXX[-L] | 92-1-6 | Z.T. |

- XXXX(-L) *
- 0112(-L)
- 0406(-L)
- 0407(-L)
- 0413(-L)
- 0415(-L)
- 0417(-L)
- 0418(-L)
- 0423(-L)
- 0424(-L)

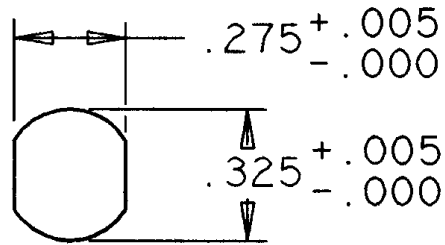


TRIAxIAL CONNECTOR, PLUG

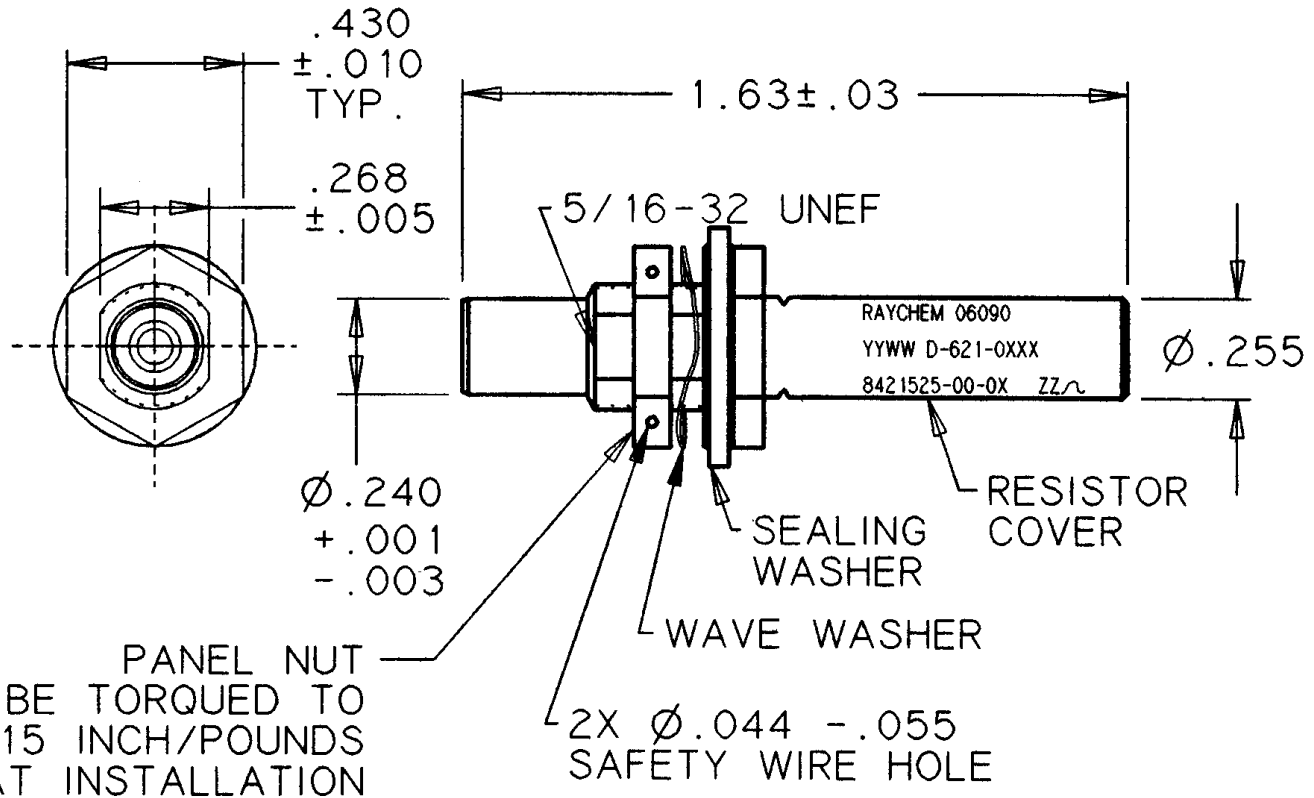
SPECIFICATION CONTROL DRAWING

If this document is printed it becomes uncontrolled.
Check for the latest revision.

| | | | | | | | |
|--|------------------------|----------|---------|---|---|---------------------|-------|
| UNLESS OTHERWISE SPECIFIED DIMENSIONS ARE IN INCHES. METRIC DIMENSIONS ARE IN BRACKETS. DECIMALS .XXX ± .005 { mm } .XX ± .01 { mm } ANGLES .X ± WEIGHT: | DRAWN | terry | 87-6-22 | Tyco Electronics Corporation 300 Constitutional Drive Menlo Park, CA 94025 USA Raychem Electronics | TITLE THREADED CORROSION RESISTANT CONNECTORIZED, RESISTOR TERMINATOR INCLUDING USAF NUMBERS | | |
| | CHECKED | | | | | | |
| | APPROVED | | | | | | |
| | APPROVED | | | | | | |
| | CAD NAME | 003375-1 | | SIZE | CODE IDENT. NO. | DWG. NO. | * REV |
| | THIRD ANGLE PROJECTION | | | A | 06090 | D-621-0112/04XX[-L] | E |
| DO NOT SCALE THIS DRAWING | | | | | | SHEET 1 OF 6 | |



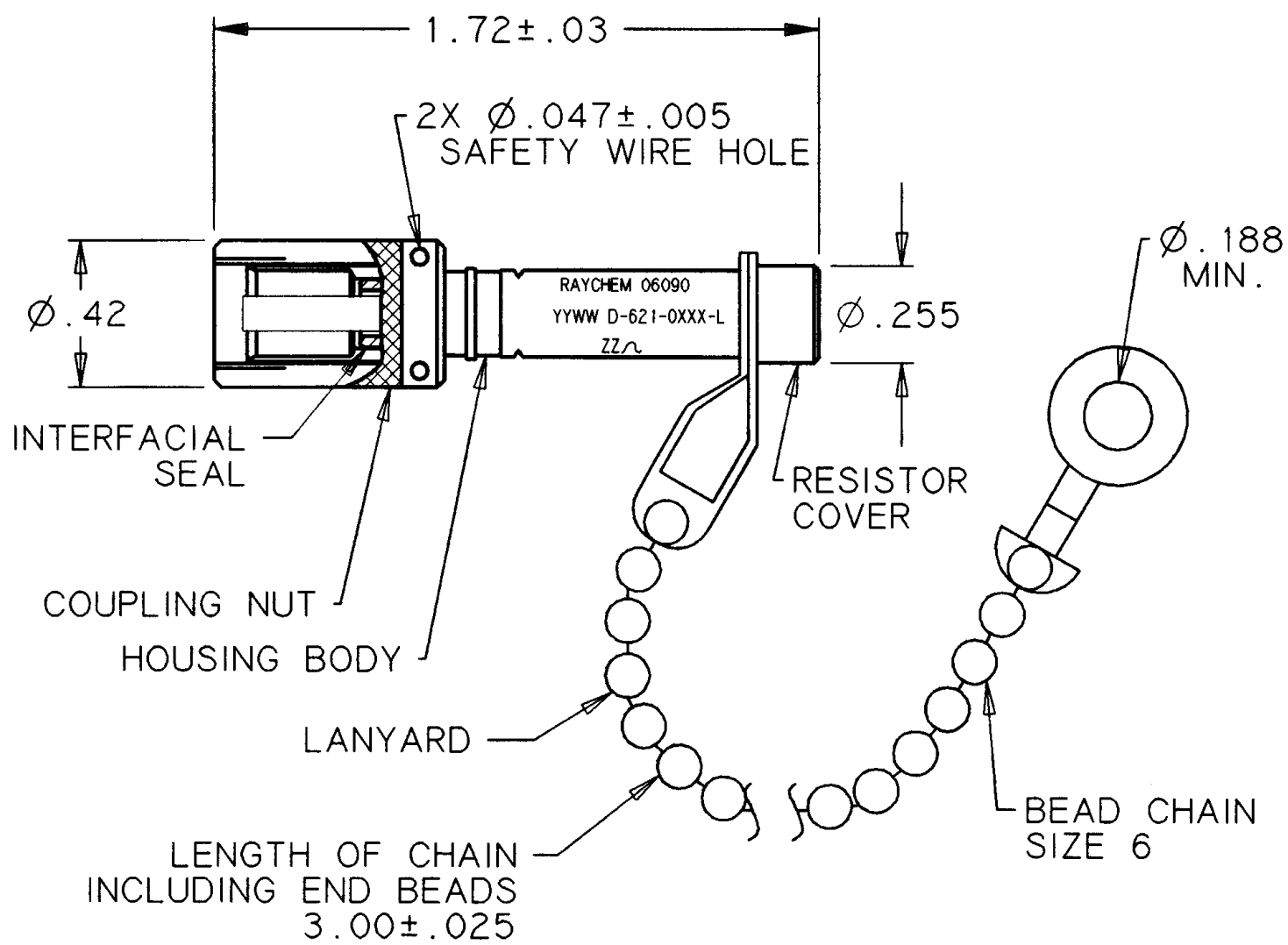
MOUNTING HOLE DIMENSION



TRIAxIAL CONNECTOR, JACK

If this document is printed it becomes uncontrolled.
Check for the latest revision.

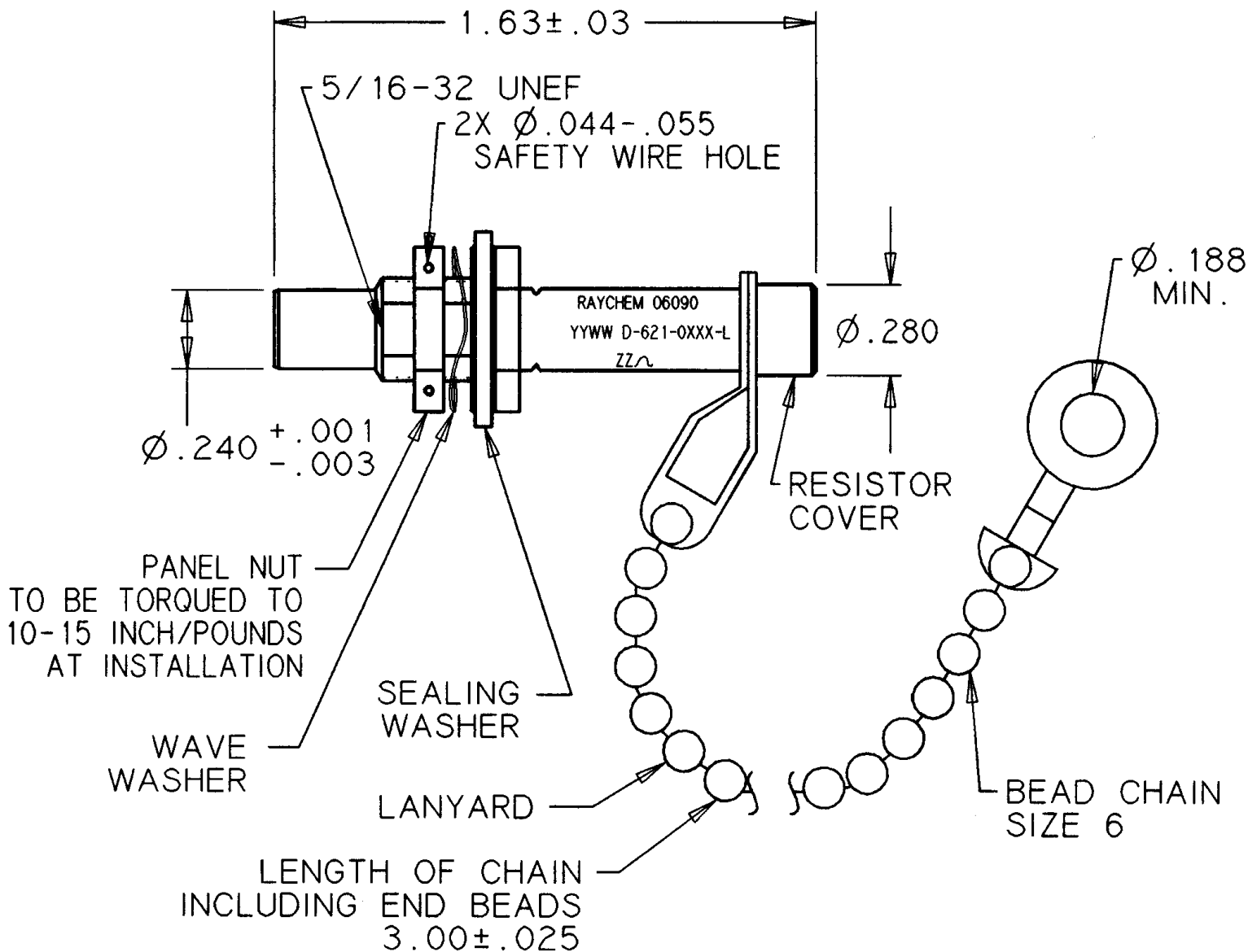
| | | | | | | | |
|---------------------------|--------|--------|----------|------|-----------------|---------------------|-----|
| CAD NAME: 003375-2 | DRAWN | J.B.K. | 91 DEC 3 | SIZE | CODE IDENT. NO. | DWG. NO. | REV |
| | ISSUED | | | A | 06090 | D-621-0112/04XX[-L] | E |
| DO NOT SCALE THIS DRAWING | | | | | | SHEET 2 OF 6 | |



TRIAxIAL CONNECTOR, PLUG

If this document is printed it becomes uncontrolled.
Check for the latest revision.

| | | | | | | | |
|---------------------------|--------|--------|----------|------|-----------------|---------------------|-----|
| CAD NAME: 003375-3 | DRAWN | J.B.K. | 91 DEC 3 | SIZE | CODE IDENT. NO. | DWG. NO. | REV |
| | ISSUED | | | A | 06090 | D-621-0112/04XX[-L] | E |
| DO NOT SCALE THIS DRAWING | | | | | | SHEET 3 OF 6 | |



TRIAxIAL CONNECTOR, JACK

If this document is printed it becomes uncontrolled.
Check for the latest revision.

| | | | | | | | |
|---------------------------|--------|--------|----------|------|-----------------|---------------------|-----|
| CAD NAME: 003375-4 | DRAWN | J.B.K. | 91 DEC 3 | SIZE | CODE IDENT. NO. | DWG. NO. | REV |
| | ISSUED | | | A | 06090 | D-621-0112/04XX[-L] | E |
| DO NOT SCALE THIS DRAWING | | | | | | SHEET 4 OF 6 | |

1.0 MATERIALS

- 1.1 PLUG BODY AND COUPLING NUT: BRASS ALLOY PER ASTM B 16
- 1.2 JACK BODY: BECU PER QQ-C-530, ALLOY 173
CONDITION A OR H
- 1.3 PANEL NUT: BRASS ALLOY PER ASTM B 16
- 1.4 WAVE WASHER: SPRING STEEL OR BECU, TIN PLATED PER MIL-T-10727
- 1.5 RESISTOR COVER: STAINLESS STEEL TYPE 303 PER ASTM A582
- 1.6 LANYARD: CORROSION RESISTANT STEEL
- 1.7 SEALING WASHER:
 - 1.7.1 ELASTOMER: SILICONE PER AMS-3304
 - 1.7.2 WASHER: CORROSION RESISTANT STEEL PER MIL-S-5059
HALF HARD OR ANNEALED
PASSIVATED PER QQ-P-35

2.0 FINISHES

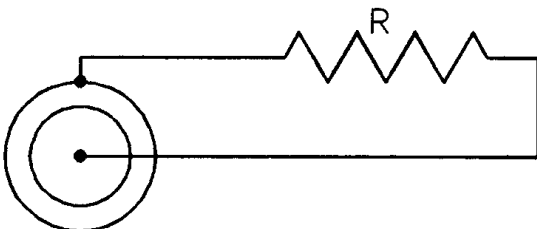
- 2.1 1.1 THRU 1.6: TIN PLATED PER MIL-T-10727 TYPE 1,
OVER SUITABLE NICKEL UNDERPLATE
TO WITHSTAND 500 HOUR SALT SPRAY TEST

3.0 INTERMATEABILITY

- 3.1 SEE TABLE
- 3.2 REFER TO RAYCHEM D-602-0126 AND D-602-0127 FOR CONTACT
INTERMATEABILITY, MATERIAL AND DIMENSIONS.

4.0 PERFORMANCE CHARACTERISTICS

- 4.1 OPERATING TEMPERATURE: -65°C TO +125°C
- 4.2 POWER RATING: 1 WATT MAX.
- 4.3 INSULATION RESISTANCE: GREATER THAN 5K MEG
- 4.4 HIGH POTENTIAL, MATED, SEA LEVEL: 900 VOLTS AT 60 HZ
- 4.5 TERMINATOR RESISTANCE: SEE TABLE
- 4.6 REFER TO RAYCHEM SPECIFICATIONS D-6025 AND D-6020 FOR
OTHER APPLICABLE PERFORMANCE AND QUALIFICATION REQUIREMENTS.
- 4.7 SALT SPRAY CORROSION RESISTANCE: 500 HOURS



R=SEE TABLE FOR RESISTANCE VALUE.
SHEET 6 OF 6

If this document is printed it becomes uncontrolled.
Check for the latest revision.

| | | | | | | | |
|---------------------------|--------|----------|----------|------|-----------------|---------------------|-----|
| CAD NAME: 003375-5 | DRAWN | J. B. K. | 91 DEC 3 | SIZE | CODE IDENT. NO. | DWG. NO. | REV |
| | ISSUED | | | A | 06090 | D-621-0112/04XX[-L] | E |
| DO NOT SCALE THIS DRAWING | | | | | | SHEET 5 OF 6 | |

NOTES:

① SUFFIX "L" INDICATES PARTS WITH LANYARD.

② WEIGHT: PLUG: 19 GRAMS MAX., WITH LANYARD 24 GRAMS MAX.
JACK: 14 GRAMS MAX., WITH LANYARD 19 GRAMS MAX.

| ① DRAWING NO. | CONN. | INSTALLED CONTACT | MATING CONNECTOR | MATING CONTACT | RESISTANCE VALUE $\pm 2\%$ |
|------------------|-------|----------------------|---------------------|-------------------|-------------------------------|
| D-621-0112(-L) | PLUG | PIN | D-621-0412 | SOCKET | 50 OHMS |
| D-621-0406(-L) | JACK | SOCKET | D-621-0411 | PIN | 78 OHMS |
| D-621-0407(-L) | PLUG | SOCKET | D-621-0412 | PIN | 3000 OHMS |
| D-621-0413(-L) | PLUG | PIN | D-621-0412 | SOCKET | 78 OHMS |
| D-621-0415(-L) | PLUG | SOCKET | D-621-0412 | PIN | 78 OHMS |
| D-621-0417(-L) | PLUG | PIN | D-621-0412 | SOCKET | 3000 OHMS |
| D-621-0418(-L) | JACK | PIN | D-621-0411 | SOCKET | 78 OHMS |
| D-621-0423(-L) | JACK | PIN | D-621-0411 | SOCKET | 3000 OHMS |
| D-621-0424(-L) | JACK | SOCKET | D-621-0411 | PIN | 3000 OHMS |

| U. S. AIR FORCE SPECIAL MARKING | |
|------------------------------------|--------------------------|
| AIR FORCE TERMINATOR | AIR FORCE DRAWING NO. |
| D-621-0406 | 842 1525-00-04 |
| D-621-0407 | 842 1524-00-02 |
| D-621-0413 | 842 1524-00-03 |
| D-621-0415 | 842 1524-00-04 |
| D-621-0417 | 842 1524-00-01 |
| D-621-0418 | 842 1525-00-03 |
| D-621-0423 | 842 1525-00-01 |
| D-621-0424 | 842 1525-00-02 |

If this document is printed it becomes uncontrolled.
Check for the latest revision.

| | | | | | | | |
|---------------------------|--------|----------|----------|------|-----------------|---------------------|-----|
| CAD NAME: 003375-6 | DRAWN | J. B. K. | 91 DEC 3 | SIZE | CODE IDENT. NO. | DWG. NO. | REV |
| | ISSUED | | | A | 06090 | D-621-0112/04XX(-L) | E |
| DO NOT SCALE THIS DRAWING | | | | | | SHEET 6 OF 6 | |