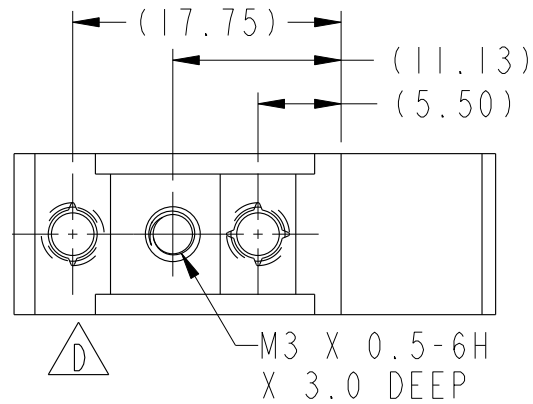
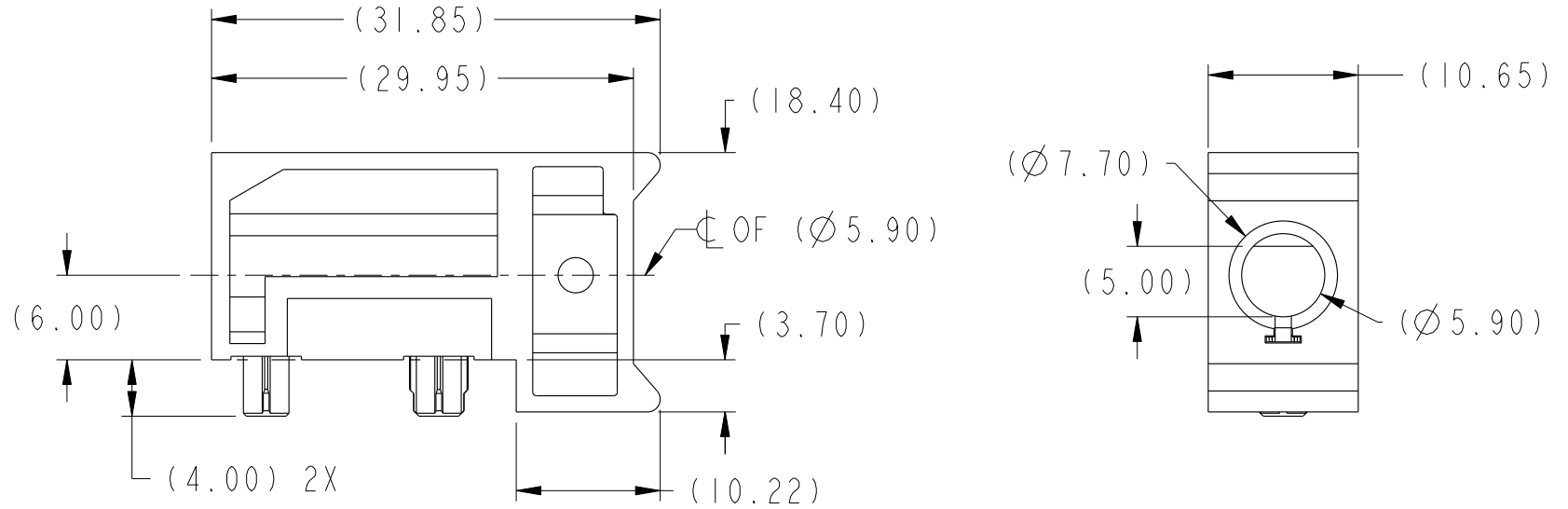


PRODUCT NUMBER

10084609-111LF



Copyright FCI.

rev	ecn no	dr	date
A	S08-0174	CH	2008-06-02
B	S08-0187	CH	2008-06-13
C	S08-0336	CH	2008-10-13
D	S10-0118	YK	2010-06-02
-	-	-	-
-	-	-	-
-	-	-	-

www.fciconnect.com		surface 3.200 ASME Y14.5	tolerance std ASME Y14.5	projection MM
TOLERANCES UNLESS OTHERWISE SPECIFIED		ANGULAR	LINEAR	size A4
Dr	C. H. TAN	2008-06-02	0.X ±.3	Scale 1:1
Eng	Y. K. LIM	2010-06-02	0.XX ±.10	ECN S10-0118
Chr	C. H. TAN	2010-06-02	0.XXX ±.050	Spec ref
Appr	JOEY NG	2010-06-02	Product family AirMax Accessories	
FCI		title 10.8mm GUIDE MODULE HOUSING WITH KEYING OPTIONS		dwg no 10084609
catalog no		CUSTOMER		Rev. D
		sheet 1 of 3		

REV E - 2006-03-28

PDM: Rev:D

STATUS: Released

Printed: Dec 01, 2010

1

2

3

4

A

B

C

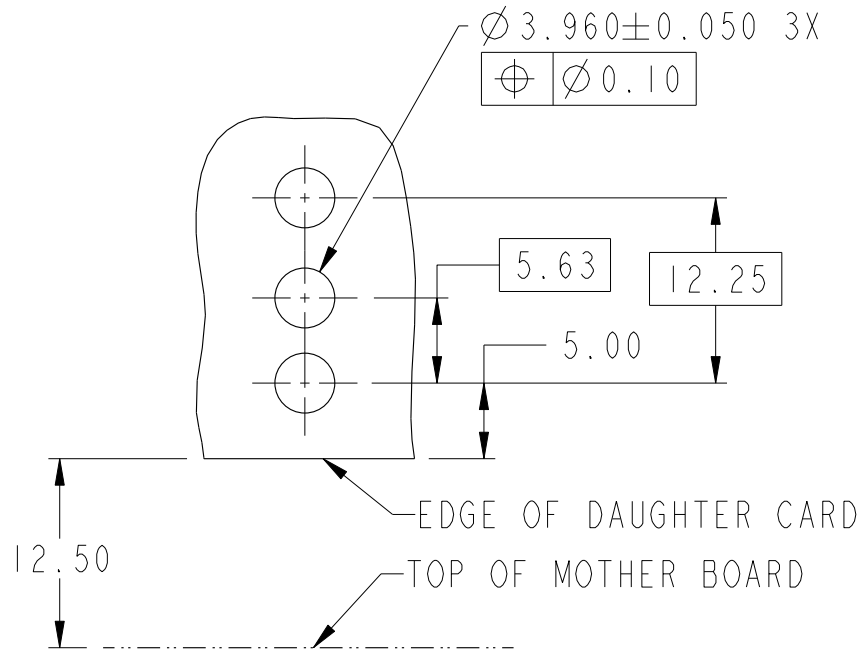
D

A

B

C

D



SCALE 2:1

RECOMMENDED PCB LAYOUT NOTES 4 & 5



Copyright FCI.

	title 10.8mm GUIDE MODULE HOUSING WITH KEYING OPTIONS	dwg no 10084609	Rev. D
	catalog no -	CUSTOMER	sheet 2 of 3

REV E - 2006-03-28

2

PDM: Rev:D

STATUS:Released

4Printed: Dec 01, 2010

1

2

3

4

A

B

C

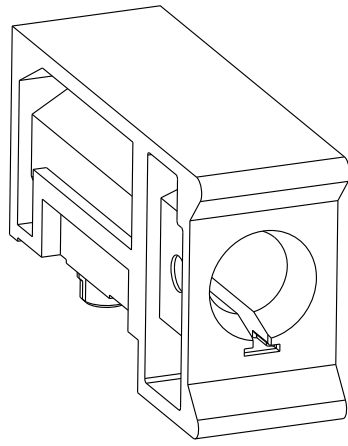
D


A

B

C

D



- ①. MATERIAL: ZINC ALLOY
- ②. FINISH: TRIVALENT CHROMATE IRIDESCENT
- 3. APPLICATION SPEC: GS-20-045
- ④. THRU HOLE PLATING AND ANNULAR RINGS MUST BE ADDED AS APPROPRIATE FOR APPLICATIONS WITH THE ESD GROUNDING OPTION. FINISHED HOLE SIZE IS THE SAME REGARDLESS OF PLATED BARREL OR NOT
- ⑤. REFER TO CUSTOMER DRAWING 10035911 FOR INFORMATION REGARDING PCB LAYOUT OF POWER AND GUIDE MODULES RELATIVE TO SIGNAL MODULES
- 6. THIS PRODUCT MEETS EUROPEAN UNION DIRECTIVES AND OTHER COUNTRY REGULATIONS AS DESCRIBED IN GS-22-008.
- 7. PACKAGING MEETS GS-14-920 LEAD FREE LABELING SPECIFICATION.
- 8. A  SYMBOL WILL BE NEXT TO ANY DIMENSION, VIEW OR NOTE WHICH HAS BEEN MODIFIED WITH THE CURRENT DRAWING REVISION



Copyright FCI.

	title 10.8mm GUIDE MODULE HOUSING WITH KEYING OPTIONS	dwg no 10084609	Rev. D
	catalog no -	CUSTOMER	sheet 3 of 3

2