

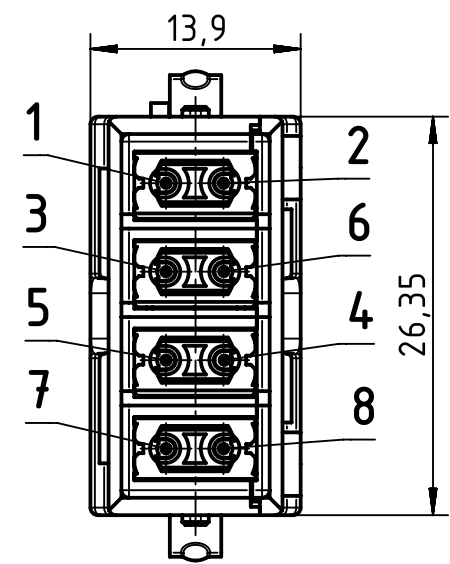
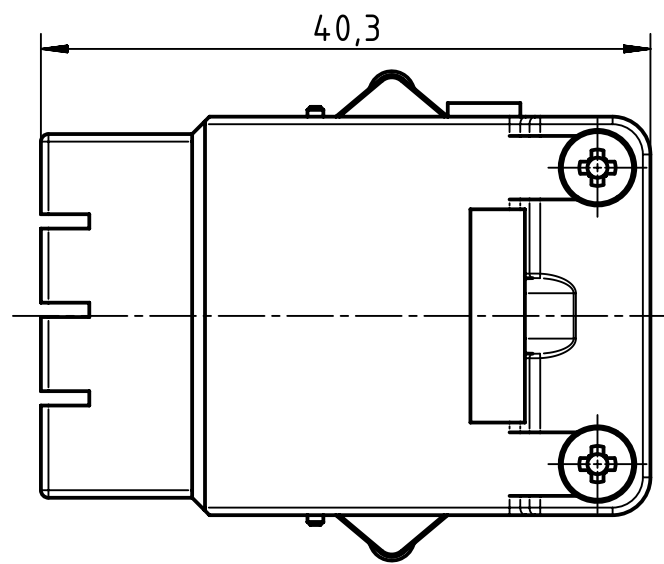
1 2 3 4 5 6

A

B

C

D

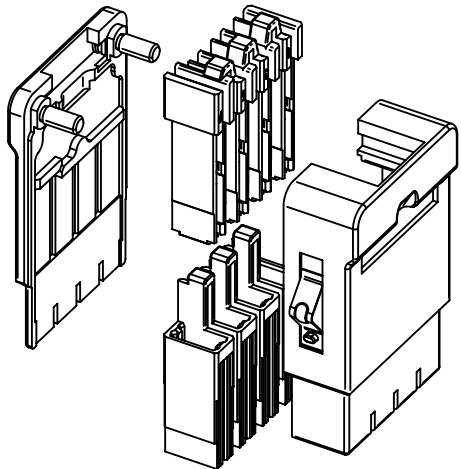


wiring acc. EIA/TIA 568A
view from termination side

green	2•	•1	white/green
orange	6•	•3	white/orange
blue	4•	•5	white/blue
brown	8•	•7	white/brown

wiring acc. EIA/TIA 568B
view from termination side

orange	2•	•1	white/orange
green	6•	•3	white/green
blue	4•	•5	white/blue
brown	8•	•7	white/brown



Kind of delivery: piece parts

	All rights reserved Department EL PD	All Dimensions in mm Original Size DIN A4		Scale 2:1	Free size tol.	Ref. Sub.
		Created by OLFERTM	Inspected by RIEPE	Standardisation RUETERA	Date 2018-05-14	State Final Release
HARTING Electric GmbH & Co. KG D-32339 Espelkamp		Title Han Gigabit insert female, (shield-GND)			Doc-Key / ECM-Nr. 100174324/UGD/008/D 500000134991	
		Type TB	Number 09 14 008 3112		Rev. D	Page 1/1

Mouser Electronics

Authorized Distributor

Click to View Pricing, Inventory, Delivery & Lifecycle Information:

[HARTING:](#)

[09140083112](#)