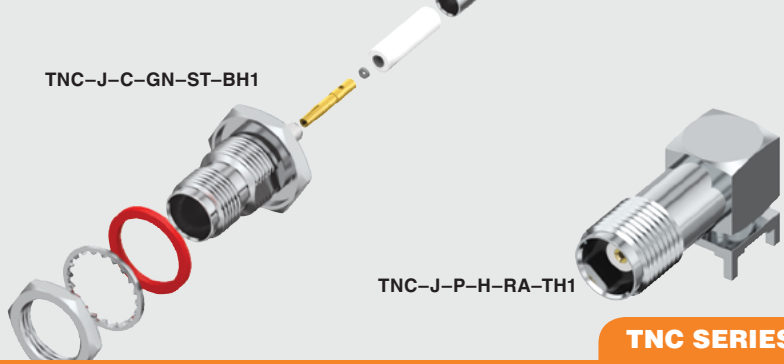


TNC-J-C-GN-ST-BH1



TNC-J-P-H-RA-TH1

TNC SERIES

50 Ω TNC JACKS & PLUGS

Mates with:

RF058, RF178, RF316,
RF174, GRF1H-C

SPECIFICATIONS

For complete specifications and recommended PCB layouts see www.samtec.com?TNC-TH

- Outer Contact Material:** Ni plated Brass
- Center Contact Material:** Au plated Phosphor Bronze
- Insulator Material:** PTFE
- Operating Temperature:** -65 °C to +125 °C
- Impedance:** 50 Ω
- Frequency Range:** 0~6 GHz
- Working Voltage:** 500 Vrms max
- Dielectric Withstanding:** 1500 Vrms min
- RoHS Compliant:** Yes

PROCESSING

Lead-Free Solderable: Yes

| TNC | GENDER | TYPE | PLATING | ORIENTATION | TERMINATION |
|-----|--------------|-------------------|--|----------------------|------------------------|
| | -J = Jack | -P = PCB Mount | -H = 30 μ" (0.76 μm) Gold on center contact, Nickel on Shell | -RA = Right-angle | -TH1 = Through-hole |

Note: While optimized for 50 Ω applications, this connector can also perform well in certain 75 Ω applications. Contact RFGroup@samtec.com for further information.

SPECIFICATIONS

For complete specifications and assembly instructions see www.samtec.com?TNC-CA

- Shell Material:** Brass
- Contact Material:** Brass (-P-ST), Phosphor Bronze (-J)
- Center Contact:** Soldered
- Outer Ferrule:** Crimped
- Impedance:** 50 Ω
- Frequency Range:** 0~3 GHz (Cable dependent)
- Working Voltage:** 500 Vrms max
- Dielectric Withstanding:** 1500 Vrms min
- Operating Temp Range:** -65 °C to +125 °C

ALSO AVAILABLE (MOQ Required)

- IP67 sealed option Contact Samtec.

| TNC | GENDER | TYPE | PLATING | ORIENTATION | TERMINATION |
|-----|------------------------------|---------------|---|---|---|
| | -P = Plug -J = Jack | -C = Cable | -GN = 10 μ" (0.25 μm) Gold on contact, Nickel on body | -ST = Straight -SR = Straight Reverse Polarity (-P only) | -CA1 = RG 174 / 316 Cable (-P & -ST only) -CA2 = RG 178 Cable (-P & -ST only) -C10 = RG 58 Cable (-P & -SR only) -BH1 = Bulkhead, RG 174 / 316 Cable (-J & -ST only) -BH2 = Bulkhead, RG 178 Cable (-J & -ST only) |

Supplied with pins, washers, nuts and ferrules. See website for dimensions.

Due to technical progress, all designs, specifications and components are subject to change without notice.