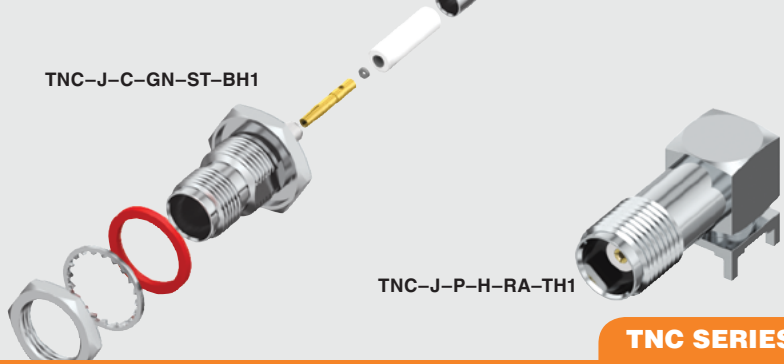


TNC-J-C-GN-ST-BH1



TNC-J-P-H-RA-TH1

**TNC SERIES**

# 50 Ω TNC JACKS & PLUGS

Mates with:

RF058, RF178, RF316,  
RF174, GRF1H-C

**SPECIFICATIONS**

For complete specifications and recommended PCB layouts see [www.samtec.com?TNC-TH](http://www.samtec.com?TNC-TH)

**Outer Contact Material:**  
Ni plated Brass  
**Center Contact Material:**  
Au plated Phosphor Bronze  
**Insulator Material:**  
PTFE  
**Operating Temperature:**  
-65 °C to +125 °C  
**Impedance:**  
50 Ω  
**Frequency Range:**  
0~6 GHz  
**Working Voltage:**  
500 Vrms max  
**Dielectric Withstanding:**  
1500 Vrms min  
**RoHS Compliant:**  
Yes

**PROCESSING**

**Lead-Free Solderable:**  
Yes

TNC	GENDER	TYPE	PLATING	ORIENTATION	TERMINATION
	-J = Jack	-P = PCB Mount	-H = 30 μ" (0.76 μm) Gold on center contact, Nickel on Shell	-RA = Right-angle	-TH1 = Through-hole

**Note:**  
While optimized for 50 Ω applications, this connector can also perform well in certain 75 Ω applications.  
Contact [RFGroup@samtec.com](mailto:RFGroup@samtec.com) for further information.

**SPECIFICATIONS**

For complete specifications and assembly instructions see [www.samtec.com?TNC-CA](http://www.samtec.com?TNC-CA)

**Shell Material:**  
Brass  
**Contact Material:**  
Brass (-P-ST), Phosphor Bronze (-J)  
**Center Contact:**  
Soldered  
**Outer Ferrule:**  
Crimped  
**Impedance:**  
50 Ω  
**Frequency Range:**  
0~3 GHz (Cable dependent)  
**Working Voltage:**  
500 Vrms max  
**Dielectric Withstanding:**  
1500 Vrms min  
**Operating Temp Range:**  
-65 °C to +125 °C

**ALSO AVAILABLE (MOQ Required)**

- IP67 sealed option  
Contact Samtec.

TNC	GENDER	TYPE	PLATING	ORIENTATION	TERMINATION
	-P = Plug  -J = Jack	-C = Cable	-GN = 10 μ" (0.25 μm) Gold on contact, Nickel on body	-ST = Straight  -SR = Straight Reverse Polarity (-P only)	-CA1 = RG 174 / 316 Cable (-P & -ST only)  -CA2 = RG 178 Cable (-P & -ST only)  -C10 = RG 58 Cable (-P & -SR only)  -BH1 = Bulkhead, RG 174 / 316 Cable (-J & -ST only)  -BH2 = Bulkhead, RG 178 Cable (-J & -ST only)

Supplied with pins, washers, nuts and ferrules. See website for dimensions.

*Due to technical progress, all designs, specifications and components are subject to change without notice.*