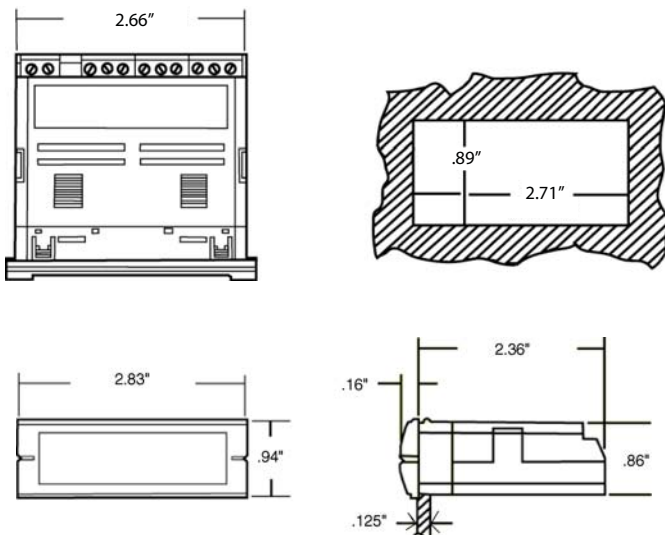


# Mini-Max M240 Temperature Indicator



- 3/64 DIN Temperature Indicator
- Jumper-selectable input type and °C/°F indication
- Screw terminal connectors for easy installation
- Unique mounting bracket allows for stacking of multiple meters

## Dimensions - M235, M245 & M240



## Specifications

<b>DISPLAY</b>	
Type	7-segment red LED
Height	0.56" (14.2mm)
<b>Display resolution</b>	0.1° from -99.9° to 999.9°; 1.0° below -100° or above 1000°; 0.1mV for mV indication
<b>Overrange indication (T/C or mV)</b>	The left-most digit shows 1: "1" (other digits are blank)
<b>Open or faulty input connection</b>	"----"
<b>Uncalibrated instrument</b>	Display will flash continuously "INFO FAIL CALB REQD" upon application of power.
<b>Polarity</b>	Automatic, with "-" indication; "+" indication implied
<b>POWER REQUIREMENTS</b>	
AC Voltage	85-250VAC @50-60Hz
Power Consumption	2VA
<b>INPUTS</b>	
Thermocouple	J, K
Millivolt	±70mV (uncompensated for temperature)
Lead Resistance Effect	-13µV/100Ω max.
<b>RTD</b>	
Lead Resistance Effect	Platinum 100 Ohm (.00385 alpha) 4-wire -.26°C/100V max. 2- and 3-wire 1°/.29Ω max.
<b>Temperature Coefficient</b>	±0.2°C / °C

Input Type	Temperature Range	Accuracy @25°C
K T/C	-100 to 1370°C	±(0.1% rdg +1.5°C)
	-148 to 2498°F	±(0.1% rdg +2.7°F)
J T/C	-100 to 1200°C	±(0.1% rdg +1.5°C)
	-148 to 2192°F	±(0.1% rdg +2.7°F)
RTD Pt100 (4-wire)	-100 to 850°C	±(0.2% rdg +1.5°C)
	-148 to 1562°F	±(0.2% rdg +2.7°F)
mV	-70 to 70mV	±(0.1% rdg +0.1mV)

Input Impedance: 22MΩ

### ENVIRONMENTAL

Operating Temperature 0 to 55°C  
Storage Temperature -10 to 60°C

Relative Humidity 0 to 85% non-condensing  
Warmup time Less than 20 minutes

### A TO D CONVERSION

Technique 12 Bit Successive Approximation (SAR)  
Rate 10 samples per second

### NOISE REJECTION

NMRR 60dB, 50/60Hz  
CMRR (w/1KΩ unbalanced @ 60Hz) 90dB min

### MECHANICAL

Bezel 0.94" x 2.83"  
Depth 2.36"  
Panel cutout 0.89" x 2.71"  
Weight 3.5oz (99.2g)  
Case Material 94-0,UL-rated, glass-filled thermoplastic

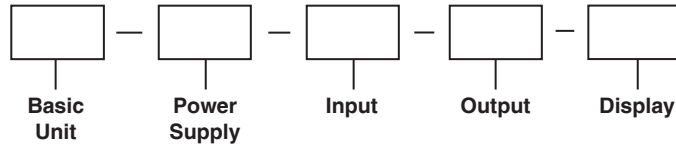
[more >>](#)



# Mini-Max M240 Temperature Indicator

## Ordering Information

Mini-Max Indicators can be configured by making an entry in each section. Example: M240-0-91-0-F.



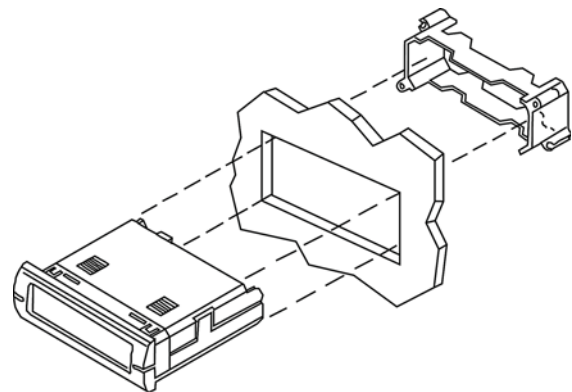
Selection	Description	Selection	Description
<b>Basic Unit</b>		<b>Output</b>	
M240	4 Digit LED	0	None
<b>Power Supply</b>		<b>Display</b>	
0	85-250 VAC	C	°C
<b>Input</b>		F	°F
91	J T/C	0	mV
92	K T/C		
93	RTD Pt100 Ohm		
94	DC mV		



Thermocouples can be found in Accessories

## Mounting Requirements

Insert the Mini-Max through the panel, and then slide the mounting bracket on to the Mini-Max. The mounting bracket allows Mini-Max units to be stacked side-to-side or top-to-bottom. Panel cutout instructions for stacking multiple units are provided under "stacking features" on our website.



See Dimensions on previous page