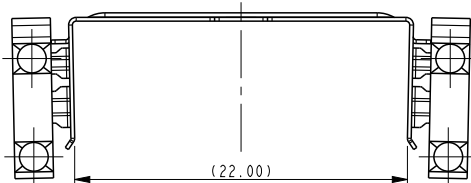
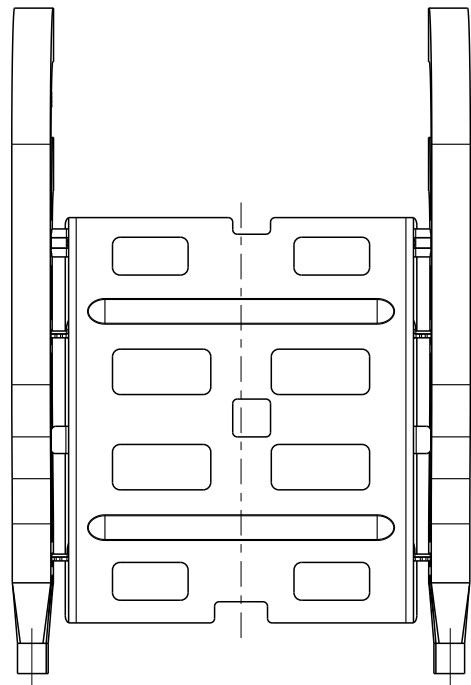
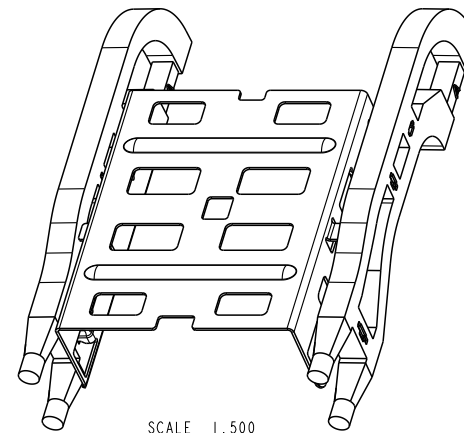


PART NUMBER

10122757-001LF



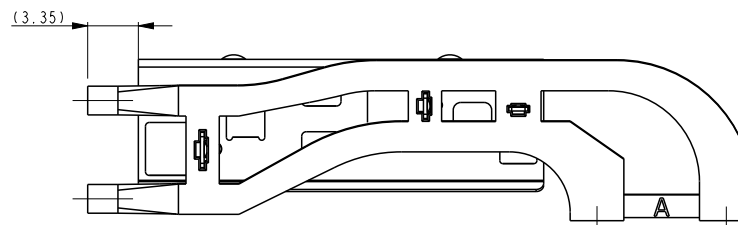
SCALE 2.000



SCALE 1.500

NOTES:

1. MATERIALS:  
LIGHT PIPE MOUNTING CLIP: STAINLESS STEEL  
LIGHT PIPE: POLYCARBONATE
2. PRODUCT SPECIFICATION: GS-12-65X
3. PRODUCT PACKING SPECIFICATION: GS-14-XXXX  
LIGHT PIPE ASSEMBLIES PACKED BY TRAY.
4. APPLICATION SPECIFICATION: GS-20-032X
5. THIS CONNECTOR IS DESIGNED TO MEET THE REQUIREMENTS OF  
INDUSTRY SPECIFICATION SFF-8644.
6. LIGHT PIPE ASSEMBLY TO BE APPLIED AFTER CONNECTOR ASSEMBLY TO PCB.



Copyright FCI.

spec ref		dr <a href="#">Liu Jenson</a>		2013/03/13		projection 	MM ←→	size	A4	scale	1.000
tolerance std		eng <a href="#">Zhao Peter</a>		2013/03/14				ecn no	-		
ISO 406 ISO 1101		chr -		-				rel level	<b>Released</b>		
TOLERANCES UNLESS OTHERWISE SPECIFIED		appr <a href="#">Collins Lu</a>		2013/03/14		product family		rev			
surface ✓ ISO 1302	linear	0.X	±X		title		dwg no	10122757C		A	
		0.XX	±0.20		1X2 SIDE LIGHT PIPE SUB-ASSY WITH CLIP						
		0.XXX	±X		MINI SAS HD						
angular	0°	±2°	www.fci.com	cat. no.		Product - Customer Drw		sheet 1 of 1			