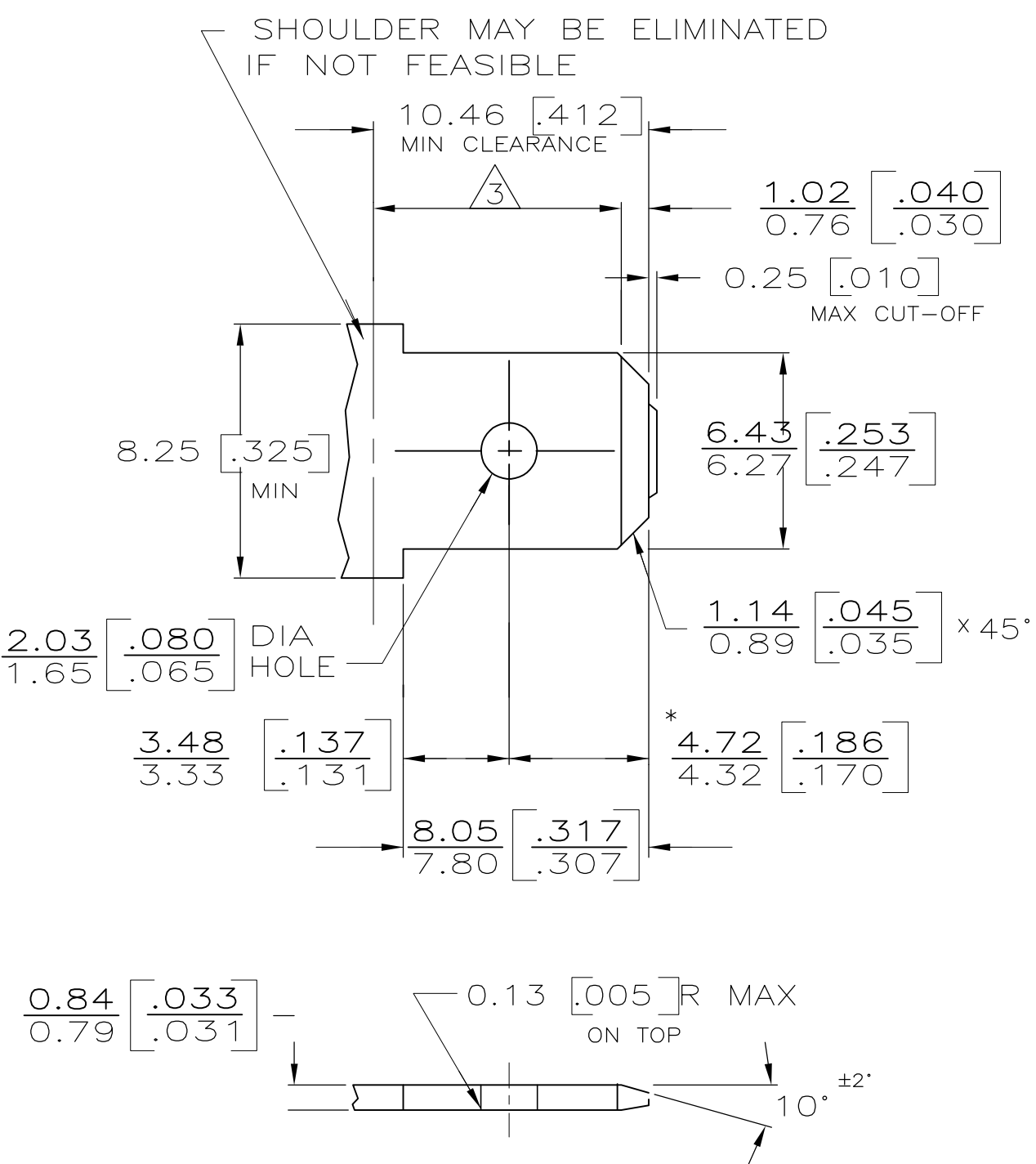
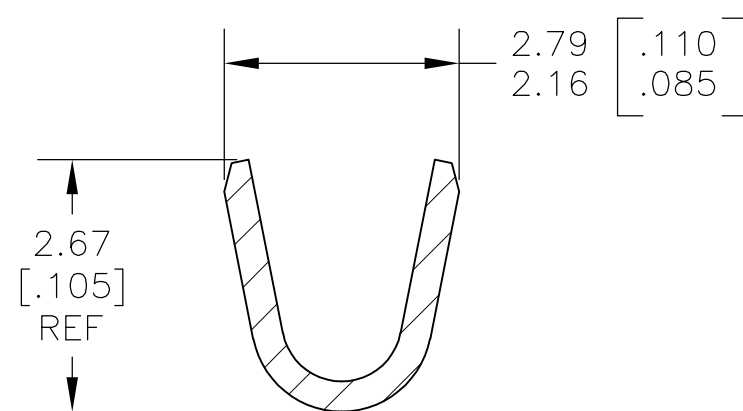
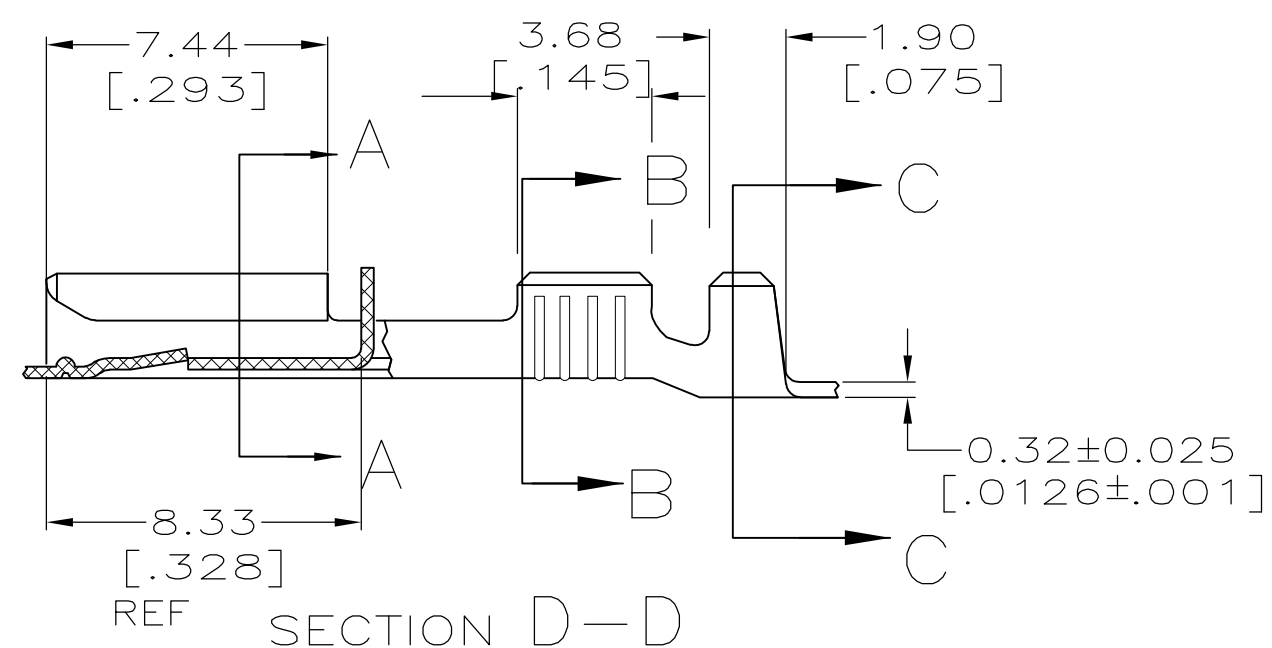
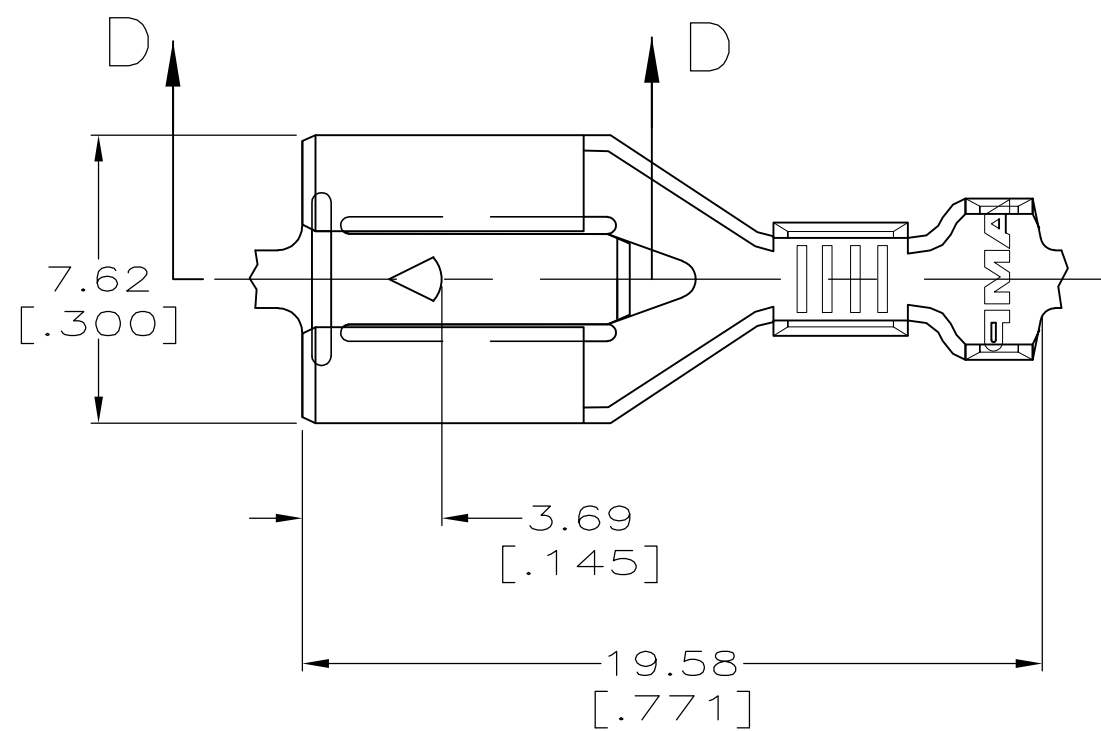


LOC		DIST		REVISIONS			
P	LTR	DESCRIPTION		DATE	DWN	APVD	
AF	50	A3	REVISED PER ECR-07-018125	03AUG07	JR	RL	

SUGGESTED MATING TAB

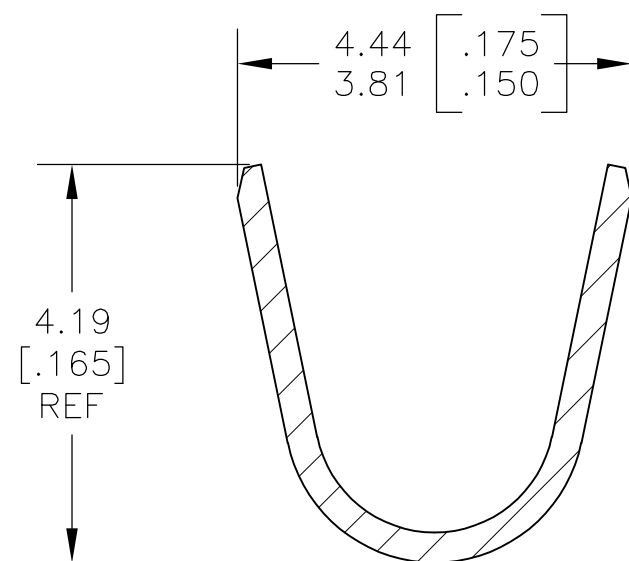
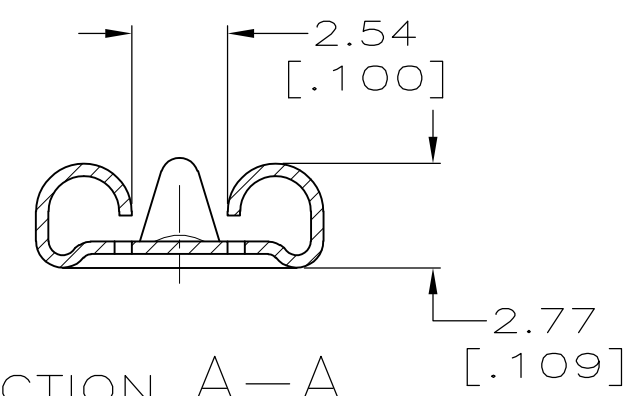


- 1 - MATL: 1/2H BRASS OR NICKEL PL STEEL.
 - 2 - NO BURRS PERMISSIBLE AT HOLE.
 - 3 - MUST BE FLAT WITHIN 0.076 [.003] OVER THIS LENGTH.
 - 4 - TIN PLATING IS REQUIRED ON BRASS WHEN TERMINAL TEMP. IS OVER 225°F.
 - 5 - HOLE MUST BE SYMMETRICAL ABOUT TAB Q WITHIN 0.076 [.003]
- * TO BE USED ONLY WHEN SHOULDER IS ELIMINATED.



SCALE 10:1

- 1 CONTINUOUS STRIP ON REELS.
- 2 ACCEPTS #22-#18 AWG WIRE SIZES. WIRE CRIMP: .080 F TYPE
- 3 INSULATION RANGE IS 1.52-2.79 [.060-.110] DIA. INSULATION CRIMP: .130 F TYPE



SCALE 10:1

0.00381 [.000150] MIN SILVER PLATE	1217378-3
0.002032 [.000080] MIN TIN PLATE	1217378-2
-	1217378-1
FINISH	PART NUMBER

THIS DRAWING IS A CONTROLLED DOCUMENT.		DWN	JR RUTH	30MAR00	Tyco Electronics Corporation Harrisburg, PA 17105-3608	
DIMENSIONS: INCHES		CHK	MS FEHER	30MAR00	NAME	
TOLERANCES UNLESS OTHERWISE SPECIFIED:		APVD	-	-	RECEPTACLE, POSITIVE LOCK, 6.35 [.250] SERIES	
0 PLC ± -		PRODUCT SPEC	-	-	SIZE	CAGE CODE
1 PLC ± -		APPLICATION SPEC	114-2074	-	A2	00779
2 PLC ± 0.25 [.010]		WEIGHT	-	-	DRAWING NO	1217378
3 PLC ± -		CUSTOMER DRAWING	-	-	SCALE	5:1
4 PLC ± -		FINISH	SEE TABLE	-	SHEET	1 of 1
ANGLES ± -					REV	A3
FINISH						