

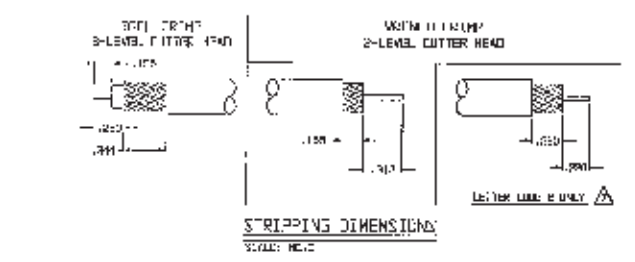
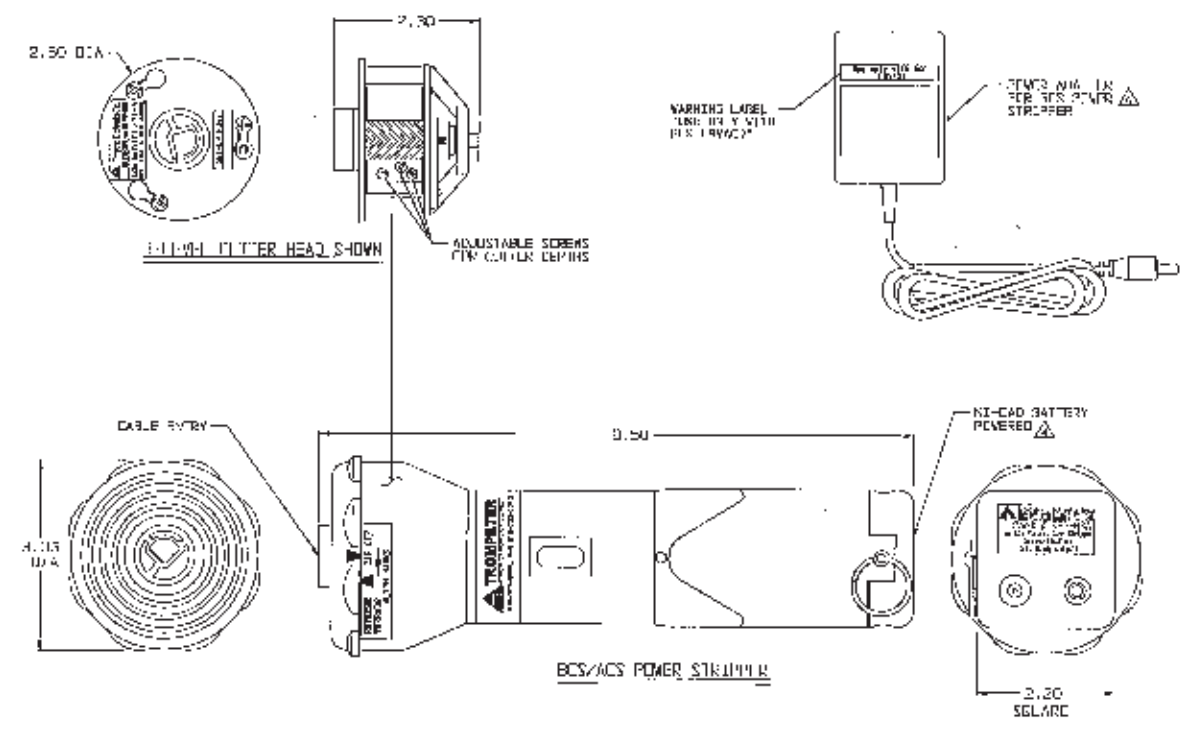
CUTTER CODE	CABLE WIRE GAUGE RANGE (AWG/STR.)	CABLE TYPES	REFERENCE CABLE GROUP	
			18-20	21-24
A	.070 / .110	RG 174, RG 213, RG 215, RG 178, RG 212, RG 214	-100	-50
I	.110 / .185	RG 100, AT&T 7228, RG 213, RG 214, RG 215, RG 216, RG 217, RG 218, RG 219, RG 220, RG 221, RG 222, RG 223, RG 224, RG 225, RG 226, RG 227, RG 228, RG 229, RG 230, RG 231, RG 232, RG 233, RG 234, RG 235, RG 236, RG 237, RG 238, RG 239, RG 240, RG 241, RG 242, RG 243, RG 244, RG 245, RG 246, RG 247, RG 248, RG 249, RG 250, RG 251, RG 252, RG 253, RG 254, RG 255, RG 256, RG 257, RG 258, RG 259, RG 260, RG 261, RG 262, RG 263, RG 264, RG 265, RG 266, RG 267, RG 268, RG 269, RG 270, RG 271, RG 272, RG 273, RG 274, RG 275, RG 276, RG 277, RG 278, RG 279, RG 280, RG 281, RG 282, RG 283, RG 284, RG 285, RG 286, RG 287, RG 288, RG 289, RG 290, RG 291, RG 292, RG 293, RG 294, RG 295, RG 296, RG 297, RG 298, RG 299, RG 300, RG 301, RG 302, RG 303, RG 304, RG 305, RG 306, RG 307, RG 308, RG 309, RG 310, RG 311, RG 312, RG 313, RG 314, RG 315, RG 316, RG 317, RG 318, RG 319, RG 320, RG 321, RG 322, RG 323, RG 324, RG 325, RG 326, RG 327, RG 328, RG 329, RG 330, RG 331, RG 332, RG 333, RG 334, RG 335, RG 336, RG 337, RG 338, RG 339, RG 340, RG 341, RG 342, RG 343, RG 344, RG 345, RG 346, RG 347, RG 348, RG 349, RG 350, RG 351, RG 352, RG 353, RG 354, RG 355, RG 356, RG 357, RG 358, RG 359, RG 360, RG 361, RG 362, RG 363, RG 364, RG 365, RG 366, RG 367, RG 368, RG 369, RG 370, RG 371, RG 372, RG 373, RG 374, RG 375, RG 376, RG 377, RG 378, RG 379, RG 380, RG 381, RG 382, RG 383, RG 384, RG 385, RG 386, RG 387, RG 388, RG 389, RG 390, RG 391, RG 392, RG 393, RG 394, RG 395, RG 396, RG 397, RG 398, RG 399, RG 400, RG 401, RG 402, RG 403, RG 404, RG 405, RG 406, RG 407, RG 408, RG 409, RG 410, RG 411, RG 412, RG 413, RG 414, RG 415, RG 416, RG 417, RG 418, RG 419, RG 420, RG 421, RG 422, RG 423, RG 424, RG 425, RG 426, RG 427, RG 428, RG 429, RG 430, RG 431, RG 432, RG 433, RG 434, RG 435, RG 436, RG 437, RG 438, RG 439, RG 440, RG 441, RG 442, RG 443, RG 444, RG 445, RG 446, RG 447, RG 448, RG 449, RG 450, RG 451, RG 452, RG 453, RG 454, RG 455, RG 456, RG 457, RG 458, RG 459, RG 460, RG 461, RG 462, RG 463, RG 464, RG 465, RG 466, RG 467, RG 468, RG 469, RG 470, RG 471, RG 472, RG 473, RG 474, RG 475, RG 476, RG 477, RG 478, RG 479, RG 480, RG 481, RG 482, RG 483, RG 484, RG 485, RG 486, RG 487, RG 488, RG 489, RG 490, RG 491, RG 492, RG 493, RG 494, RG 495, RG 496, RG 497, RG 498, RG 499, RG 500, RG 501, RG 502, RG 503, RG 504, RG 505, RG 506, RG 507, RG 508, RG 509, RG 510, RG 511, RG 512, RG 513, RG 514, RG 515, RG 516, RG 517, RG 518, RG 519, RG 520, RG 521, RG 522, RG 523, RG 524, RG 525, RG 526, RG 527, RG 528, RG 529, RG 530, RG 531, RG 532, RG 533, RG 534, RG 535, RG 536, RG 537, RG 538, RG 539, RG 540, RG 541, RG 542, RG 543, RG 544, RG 545, RG 546, RG 547, RG 548, RG 549, RG 550, RG 551, RG 552, RG 553, RG 554, RG 555, RG 556, RG 557, RG 558, RG 559, RG 560, RG 561, RG 562, RG 563, RG 564, RG 565, RG 566, RG 567, RG 568, RG 569, RG 570, RG 571, RG 572, RG 573, RG 574, RG 575, RG 576, RG 577, RG 578, RG 579, RG 580, RG 581, RG 582, RG 583, RG 584, RG 585, RG 586, RG 587, RG 588, RG 589, RG 590, RG 591, RG 592, RG 593, RG 594, RG 595, RG 596, RG 597, RG 598, RG 599, RG 600, RG 601, RG 602, RG 603, RG 604, RG 605, RG 606, RG 607, RG 608, RG 609, RG 610, RG 611, RG 612, RG 613, RG 614, RG 615, RG 616, RG 617, RG 618, RG 619, RG 620, RG 621, RG 622, RG 623, RG 624, RG 625, RG 626, RG 627, RG 628, RG 629, RG 630, RG 631, RG 632, RG 633, RG 634, RG 635, RG 636, RG 637, RG 638, RG 639, RG 640, RG 641, RG 642, RG 643, RG 644, RG 645, RG 646, RG 647, RG 648, RG 649, RG 650, RG 651, RG 652, RG 653, RG 654, RG 655, RG 656, RG 657, RG 658, RG 659, RG 660, RG 661, RG 662, RG 663, RG 664, RG 665, RG 666, RG 667, RG 668, RG 669, RG 670, RG 671, RG 672, RG 673, RG 674, RG 675, RG 676, RG 677, RG 678, RG 679, RG 680, RG 681, RG 682, RG 683, RG 684, RG 685, RG 686, RG 687, RG 688, RG 689, RG 690, RG 691, RG 692, RG 693, RG 694, RG 695, RG 696, RG 697, RG 698, RG 699, RG 700, RG 701, RG 702, RG 703, RG 704, RG 705, RG 706, RG 707, RG 708, RG 709, RG 710, RG 711, RG 712, RG 713, RG 714, RG 715, RG 716, RG 717, RG 718, RG 719, RG 720, RG 721, RG 722, RG 723, RG 724, RG 725, RG 726, RG 727, RG 728, RG 729, RG 730, RG 731, RG 732, RG 733, RG 734, RG 735, RG 736, RG 737, RG 738, RG 739, RG 740, RG 741, RG 742, RG 743, RG 744, RG 745, RG 746, RG 747, RG 748, RG 749, RG 750, RG 751, RG 752, RG 753, RG 754, RG 755, RG 756, RG 757, RG 758, RG 759, RG 760, RG 761, RG 762, RG 763, RG 764, RG 765, RG 766, RG 767, RG 768, RG 769, RG 770, RG 771, RG 772, RG 773, RG 774, RG 775, RG 776, RG 777, RG 778, RG 779, RG 780, RG 781, RG 782, RG 783, RG 784, RG 785, RG 786, RG 787, RG 788, RG 789, RG 790, RG 791, RG 792, RG 793, RG 794, RG 795, RG 796, RG 797, RG 798, RG 799, RG 800, RG 801, RG 802, RG 803, RG 804, RG 805, RG 806, RG 807, RG 808, RG 809, RG 810, RG 811, RG 812, RG 813, RG 814, RG 815, RG 816, RG 817, RG 818, RG 819, RG 820, RG 821, RG 822, RG 823, RG 824, RG 825, RG 826, RG 827, RG 828, RG 829, RG 830, RG 831, RG 832, RG 833, RG 834, RG 835, RG 836, RG 837, RG 838, RG 839, RG 840, RG 841, RG 842, RG 843, RG 844, RG 845, RG 846, RG 847, RG 848, RG 849, RG 850, RG 851, RG 852, RG 853, RG 854, RG 855, RG 856, RG 857, RG 858, RG 859, RG 860, RG 861, RG 862, RG 863, RG 864, RG 865, RG 866, RG 867, RG 868, RG 869, RG 870, RG 871, RG 872, RG 873, RG 874, RG 875, RG 876, RG 877, RG 878, RG 879, RG 880, RG 881, RG 882, RG 883, RG 884, RG 885, RG 886, RG 887, RG 888, RG 889, RG 890, RG 891, RG 892, RG 893, RG 894, RG 895, RG 896, RG 897, RG 898, RG 899, RG 900, RG 901, RG 902, RG 903, RG 904, RG 905, RG 906, RG 907, RG 908, RG 909, RG 910, RG 911, RG 912, RG 913, RG 914, RG 915, RG 916, RG 917, RG 918, RG 919, RG 920, RG 921, RG 922, RG 923, RG 924, RG 925, RG 926, RG 927, RG 928, RG 929, RG 930, RG 931, RG 932, RG 933, RG 934, RG 935, RG 936, RG 937, RG 938, RG 939, RG 940, RG 941, RG 942, RG 943, RG 944, RG 945, RG 946, RG 947, RG 948, RG 949, RG 950, RG 951, RG 952, RG 953, RG 954, RG 955, RG 956, RG 957, RG 958, RG 959, RG 960, RG 961, RG 962, RG 963, RG 964, RG 965, RG 966, RG 967, RG 968, RG 969, RG 970, RG 971, RG 972, RG 973, RG 974, RG 975, RG 976, RG 977, RG 978, RG 979, RG 980, RG 981, RG 982, RG 983, RG 984, RG 985, RG 986, RG 987, RG 988, RG 989, RG 990, RG 991, RG 992, RG 993, RG 994, RG 995, RG 996, RG 997, RG 998, RG 999, RG 1000	-100	-50
B	.150 / .215	RG 174, RG 213, RG 215, RG 178, RG 212, RG 214	-100	-50
C	.150 / .230	RG 174, RG 213, RG 215, RG 178, RG 212, RG 214	-100	-50
O	.205 / .270	RG 174, RG 213, RG 215, RG 178, RG 212, RG 214	-100	-50
F1	.271 / .335	RG 174, RG 213, RG 215, RG 178, RG 212, RG 214	-100	-50
HF	.271 / .335	RG 174, RG 213, RG 215, RG 178, RG 212, RG 214	-100	-50
F/A	.300 / .450	RG 174, RG 213, RG 215, RG 178, RG 212, RG 214	-100	-50

ITEM	DESCRIPTION	QTY	UNIT
1	AC POWER STRIPPER	1	EA
2	NI-CAD BATTERY	1	EA
3	AC POWER STRIPPER	1	EA
4	NI-CAD BATTERY	1	EA
5	AC POWER STRIPPER	1	EA
6	NI-CAD BATTERY	1	EA
7	AC POWER STRIPPER	1	EA
8	NI-CAD BATTERY	1	EA
9	AC POWER STRIPPER	1	EA
10	NI-CAD BATTERY	1	EA

REVISIONS		010-0093	313
REV	DESCRIPTION		
1	DESIGN P101N		
2	REVISED PER ECU 1514		

RED INDICATES ORIGINAL

- SEE SPECIAL STRIPPING DIMENSIONS
6. EACH ITEM MAY BE SOLD SEPARATELY
5. EACH KIT IS SUPPLIED WITH A 12.5 X 0.5 X 0.4 CARRYING CASE AND USER INSTRUCTIONS
- INDIVIDUAL BATTERY OR OPTIONAL POWER SOURCE MAY BE ORDERED AS SHOWN FOR TABLE 2
- EXAMPLE OF LUMINA-16 NUMBER
- 1115 / C24T 3 A
- 1115 - CABLE WIRE GAUGE RANGE (SEE TABLE 1)
 - 3 - 3-LEVEL FOR TOOL CRIMP
 - 2 - 2-LEVEL FOR WIRELESS CRIMP
 - C24T - CUTTER HEAD BASIC PART NO.
- POWER STRIPPER TYPE:
- BLS - NI-CAD BATTERY WITH AC & DC CHARGER FOR NORTH & SOUTH AMERICA
 - BCS - NI-CAD BATTERY WITH AC & DC CHARGER AND RAPID CHARGER FOR NORTH & SOUTH AMERICA
 - BFS-EU - NI-CAD BATTERY WITH AC & DC CHARGER FOR EUROPE
 - BFS-UK - NI-CAD BATTERY WITH AC & DC CHARGER FOR UNITED KINGDOM
 - ACS - AC POWER CONVERTER FOR NORTH & SOUTH AMERICA
 - ACS-EU - AC POWER CONVERTER FOR EUROPE
 - ACS-UK - AC POWER CONVERTER FOR UNITED KINGDOM
- PORTABLE HAND HELD, POWERED CORDLESS STRIPPER KIT WITH AND WITH-OUT CUTTING HEAD(S), WITH OPTIONAL POWER SOURCES, SEE TABLE 2
1. ALL DIMENSIONS IN INCHES



TROMPETER RF connectivity a cinch connectivity solutions brand	
MODEL: B307 DATE: 6/9/06 BY: [Signature] CHECKED: [Signature]	REFERENCE: 010-0093 SCALE: 1:1 PART NO: A 14949 DATE: 10-1E-03