

Cord retaining strain relief screw-on mounting



C8  
  
70° C



### Description

- Screw-on from front side
- Protection against accidental disconnection of power supply cord

### References

Alternative: version for snap-in mounting [2578 retaining kit](#)  
 Component 1: Inlet [2576](#)  
 Component 2: [Retainer](#)  
 Component 3: Power cord with country specific line connector

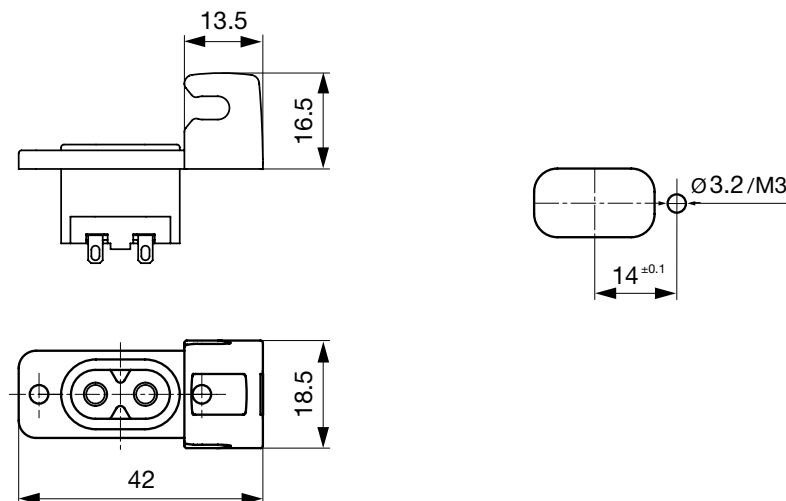
### Weblinks

[pdf-datasheet](#), [html-datasheet](#), [General Product Information](#), [Approvals](#), [CE declaration of conformity](#), [RoHS](#), [CHINA-RoHS](#), [Mating Connectors](#), [e-Shop](#), [SCHURTER-Stock-Check](#), [Distributor-Stock-Check](#), [CAD-Drawings](#), [Accessories](#), [Detailed request for product](#), [Video](#)

### Technical Data

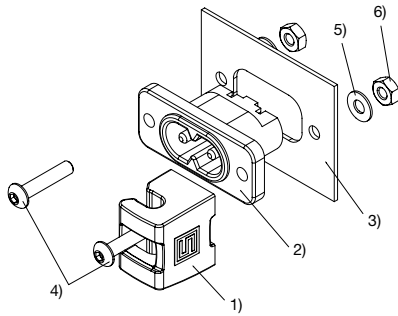
Ratings IEC	2.5 A / 250 VAC; 50 Hz
Ratings UL/CSA	7 A / 250 VAC; 60 Hz
Degree of Protection	from front side IP 20 acc. to IEC 60529
Protection Class	Suitable for appliances with protection class II acc. to IEC 61140

### Dimensions



Retaining Kit

## Assembly Instructions



- 1) Retainer
- 2) Appliance Inlet
- 3) Panel
- 4) Screws (M3)
- 5) Washer
- 6) Nut (M3)

Screws, nuts and washers are not included in the kit

## Variants kit

Description	Appliance inlet	Cable	Country	Length [m]	Retainer	Order Number	
2576 Retaining Kit US 2m	6160.0021	6010.5274	USA	2.0	0098.9273	6160.0108	■
2576 Retaining Kit US 4m	6160.0021	6010.5278	USA	4.0	0098.9273	6160.0109	■
2576 Retaining Kit EU 2m	6160.0021	6013.0474	EU	2.0	0098.9273	6160.0110	■
2576 Retaining Kit EU 4m	6160.0021	6013.0478	EU	4.0	0098.9273	6160.0111	■
2576 Retaining Kit US 2m	6160.0058	6010.5274	USA	2.0	0098.9273	6160.0112	■
2576 Retaining Kit US 4m	6160.0058	6010.5278	USA	4.0	0098.9273	6160.0113	■
2576 Retaining Kit EU 2m	6160.0058	6013.0474	EU	2.0	0098.9273	6160.0114	■
2576 Retaining Kit EU 4m	6160.0058	6013.0478	EU	4.0	0098.9273	6160.0115	■
2576 Retaining Kit US 2m	6160.0022	6010.5274	USA	2.0	0098.9273	6160.0116	■
2576 Retaining Kit US 4m	6160.0022	6010.5278	USA	4.0	0098.9273	6160.0117	■
2576 Retaining Kit EU 2m	6160.0022	6013.0474	EU	2.0	0098.9273	6160.0118	■
2576 Retaining Kit EU 4m	6160.0022	6013.0478	EU	4.0	0098.9273	6160.0119	■
2576 Retaining Kit US 2m	6160.0028	6010.5274	USA	2.0	0098.9273	6160.0120	■
2576 Retaining Kit US 4m	6160.0028	6010.5278	USA	4.0	0098.9273	6160.0121	■
2576 Retaining Kit EU 2m	6160.0028	6013.0474	EU	2.0	0098.9273	6160.0122	■
2576 Retaining Kit EU 4m	6160.0028	6013.0478	EU	4.0	0098.9273	6160.0123	■

Other appliance inlet on request

■ Most Popular.

Availability for all products can be searched real-time: <http://www.schurter.com/en/Stock-Check/Stock-Check-SCHURTER>

**Packaging unit** 100 Pcs