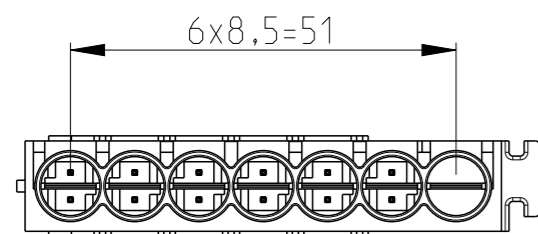
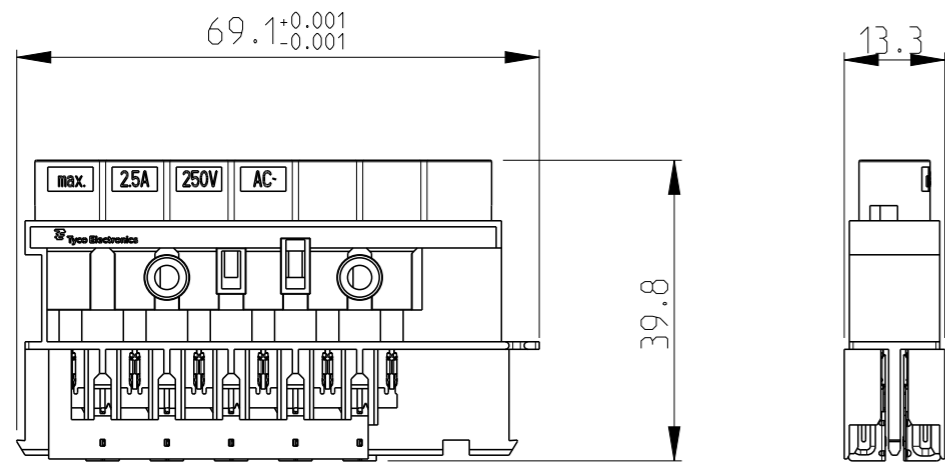


THIS DRAWING IS UNPUBLISHED. RELEASED FOR PUBLICATION 2006  
 © COPYRIGHT 2006 BY - ALL RIGHTS RESERVED.

P	LTR	DESCRIPTION	DATE	DWN	APVD
C5		ECR-16-004670	04APR2016	RS	JL
D		ECR-17-003481	10MAY2017	SK	PO
D1		ECR-18-015176	05OCT2018	GCM	MZ
D2		ADDED PN 1--2	15OCT2018	MZ	MZ



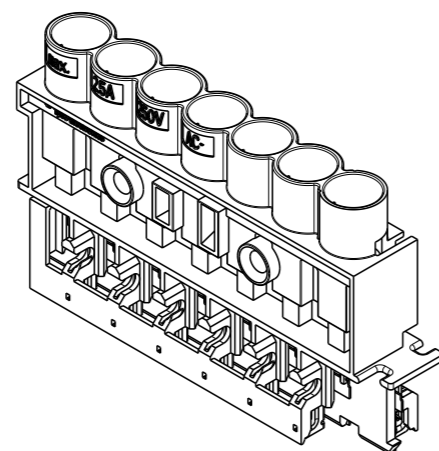
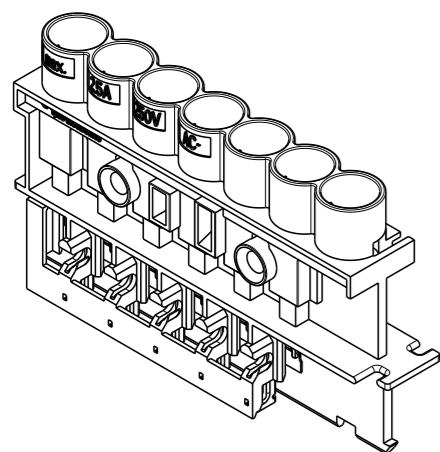
NOTES:

- PARTS PRELOADED WITH CONTACTS
- MATERIAL HOUSING: PA6/WEIGHT ~11 g  
MATERIAL CONTACTS: CuNiSi/WEIGHT ~2.8 g
- FOR 7 POS. VERSION ADD CODING RING PN 1740316-1

- △4 OBSOLETE
- △5 PRELIMINARY PART

6 POS VERSION AS SHOWN

7-POS VERSION FOR SWITCH APPLICATION AS SHOWN ABOVE



1:1

△5		LV-2 (6x)	1-1740317-2	1	BLACK (ANTHRACITE)	DISTRIBUTOR 6 POS. 7A/125V DC
△4	HV-2 (1X)	LV-2 (6x)	1-1740317-1	B	YELLOW	DISTRIBUTOR 7 POS. 7A/125V DC
		LV-2 (6x)	0-1740317-9	B	YELLOW	DISTRIBUTOR 6 POS. 7A/125V DC
△4	HV-2 (1X)	LV-1 (6x)	0-1740317-8	B	LIGHT GREY	DISTRIBUTOR 7 POS. 7A/125V AC
		LV-1 (6x)	0-1740317-7	B	LIGHT GREY	DISTRIBUTOR 6 POS. 7A/125V AC
△4	HV-2 (1X)	HV-3 (6x)	0-1740317-6	B	BLUE	DISTRIBUTOR 7 POS. 6A/125V AC
△4		HV-3 (6x)	0-1740317-5	B	BLUE	DISTRIBUTOR 6 POS. 6A/125V AC
△4	HV-2 (1X)	HV-1 (6x)	0-1740317-4	C	BLACK (ANTHRACITE)	DISTRIBUTOR 7 POS. 2.5A/250V AC
		HV-1 (6x)	0-1740317-3	C	BLACK (ANTHRACITE)	DISTRIBUTOR 6 POS. 2.5A/250V AC
	HV-2 (1X)	HV-1 (6x)	0-1740317-2	C	WHITE	DISTRIBUTOR 7 POS. 2.5A/250V AC
		HV-1 (6x)	0-1740317-1	C	WHITE	DISTRIBUTOR 6 POS. 2.5A/250V AC
SWITCH		WAY	ASS'Y PN	Rev.	COLOR	REMARKS
CODING						

THIS DRAWING IS A CONTROLLED DOCUMENT.		DWN SKA 13APR2006				
DIMENSIONS: mm		CHK WH 13APR2006				
TOLERANCES UNLESS OTHERWISE SPECIFIED:		APVD TG 13APR2006				
0 PLC ±0.2 1 PLC ±0.2 2 PLC ±0.2 3 PLC ± 4 PLC ± ANGLES ±1°		PRODUCT SPEC 108-94019 APPLICATION SPEC 114-20139 WEIGHT ~13.8 g				
MATERIAL -		FINISH -	NAME 7.5mm MiniHVL CONNECTOR SYSTEM CONTACT AND HOUSING ASSEMBLY 6 AND 7 POSITION		RESTRICTED TO -	
-		-	SIZE A3	CAGE CODE 00779	DRAWING NO. C-1740317	
CUSTOMER DRAWING			SCALE 1:1	SHEET 1 OF 1	REV D2	