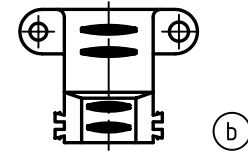
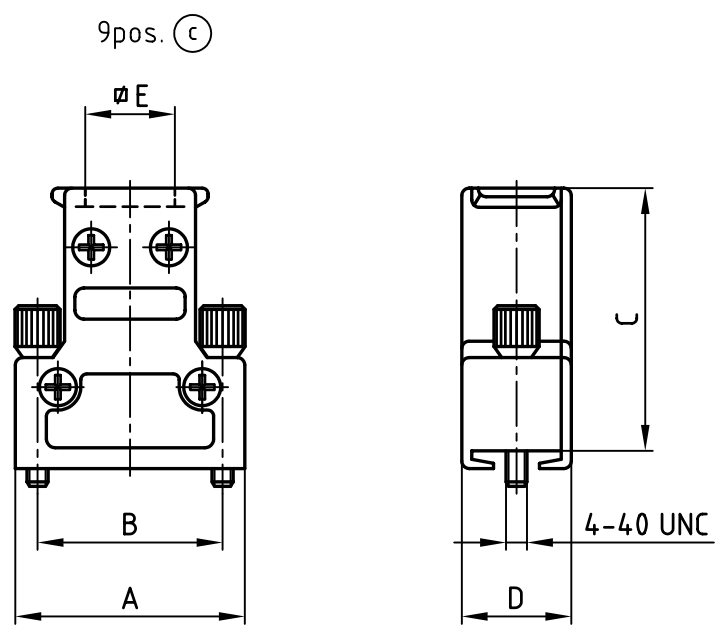
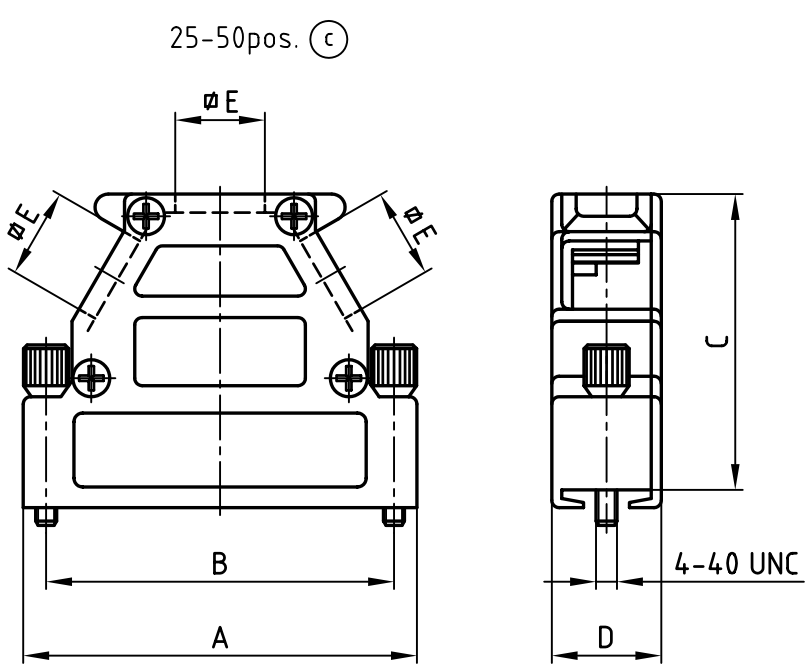
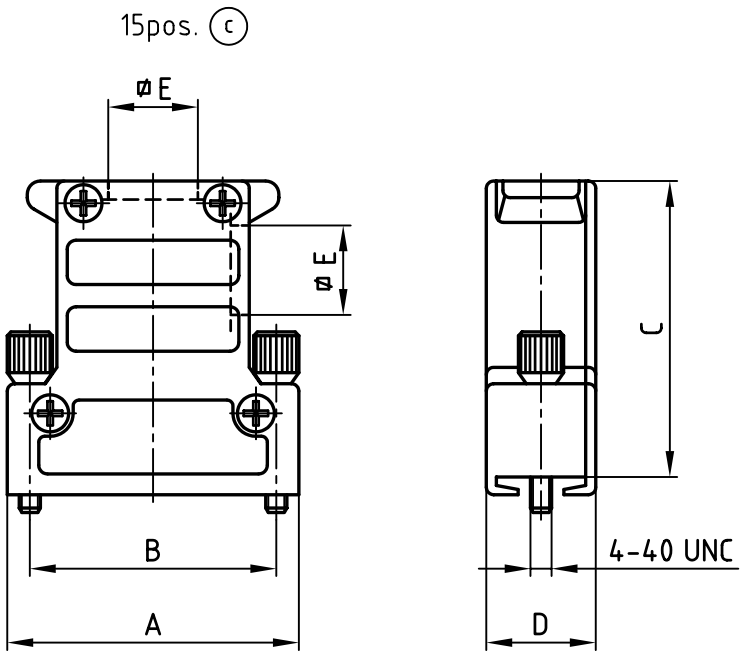


used for: D-SUB

No. of pos.	A	B	C	D	∅E	Part No.	Part No.
						Bulk package	Single package
9	31.0	25.0	35.5	14.8	12.1	165X11609X	165X11609XE
15	39.4	33.3	40.0	14.8	12.1	165X11619X	165X11619XE
25	53.2	47.0	40.0	14.8	12.1	165X11629X	165X11629XE
37	69.6	63.5	40.0	14.8	12.1	165X11639X	165X11639XE
50	67.0	61.1	42.0	17.6	14.6	165X11649X	165X11649XE



Cable clamp has to be ordered separatly.  
 9-37 pos. Part-no. 160X11189X  
 50 pos. Part-no. 160X11199X



**Delivery includes:**  
 Hood with covers  
 1 or 2 blanking plugs  
 4 screws for fixing  
 1 earth screw  
 2 jack screws

APPROVAL # FREIGABE # DEBLOCAGE # AUTOR/ZACION # APPROVAL		tolerance		scale: 1:1	
CUSTOMER APPROVAL DATE:		dim. in mm		material: HOOD: DIE-CAST ZINC	
NAME: TITLE:		2002 date name		title:	
COMPANY NAME:		drawn 29.01. Parei		METAL HOOD	
APPROVAL # FREIGABE # DEBLOCAGE # AUTOR/ZACION # APPROVAL		appd. 30.01. E. Mickenbecker		EMI/RFI SHIELDING	
THIS DRAWING MAY NOT BE COPIED OR REPRODUCED IN ANY WAY, AND MAY NOT BE PASSED ON TO A THIRD PARTY WITHOUT WRITTEN PERMISSION. OWNERSHIP AND COPYRIGHT OF CONEC GmbH		4 x d Ä 3657 18.05.10 Lehmen norm		9-50pos. with jack screws 4-40 UNC	
DO NOT ALTER CAD DRAWING BY HAND		4 x c Ä 2754 23.07.07 Lehmen d-old		dwg no: AutoCAD 2006 DIN-A	
		1 x b Ä 2459 13.03.06 HS		16K1A462A	
		a Origin		3	
		rev. description date name		sh:1/1	
		CONEC®		part no: SEE TABLE	